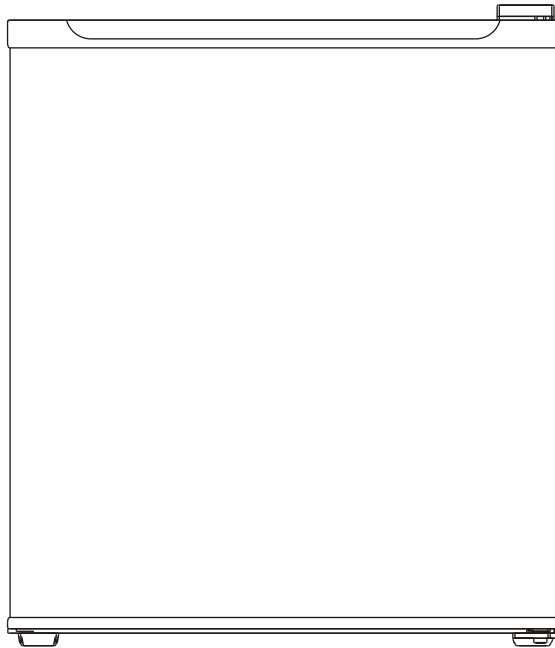


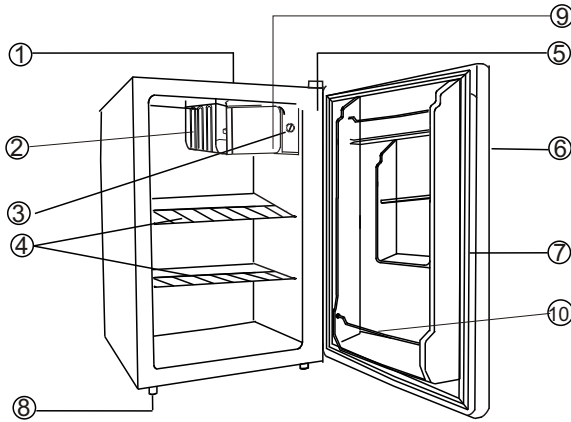
Lemair

Refrigerator RQ-80H



INSTRUCTION MANUAL

PARTS AND FEATURES

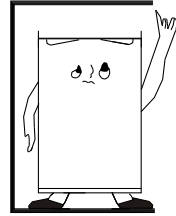


- ① Cabinet
- ② Evaporator
- ③ Thermostat Knob
- ④ Shelf
- ⑤ Hinge Cover
- ⑥ Door
- ⑦ Gasket
- ⑧ Adjustable Legs
- ⑨ Small Door
- ⑩ Door Bar

2. Correctly positioning

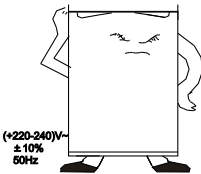
Well Ventilating

There is need of good ventilation around the refrigerator for easy dissipation of heat, high efficiency of refrigeration and low power consumption. For this purpose, sufficient clear space should be need around the refrigerator. Its back is at least 100mm away from the wall, its sides at least have a space of 100mm separately and the height from over its top is not less than 200mm. A clear space should be left to open its doors to 160°



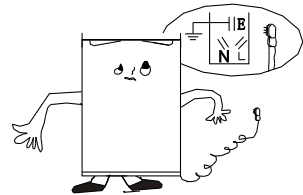
Power Supply

The refrigerator is only applied with power supply of single phase alternating current of (220-240)V~50Hz; If fluctuation of voltage in the district user is of so large that the voltage exceeds the above scope, for safety sake, be sure to apply a.c. automatic voltage regulator to the refrigerator. The refrigerator must employ a special power socket instead of common one with other electric appliances. Its plug must match the socket with ground wire.



Power Line Cord

The cord should be neither lengthened nor folded into coil during operation. Moreover, it is forbidden that cord is kept close onto the compressor at the back of the refrigerator, the surface temperature of which is quite high when operating. Touching with it would deactivate the insulation or cause leakage for electricity.



Protection from Moisture

Avoiding placing the refrigerator in a place where heavy moisture is present so as to minimize possibility of rusty for its metal parts. Still more, the refrigerator is forbidden to be directly sprayed by water, otherwise, poor insulation and current leakage would occur.



2. Correctly Positioning

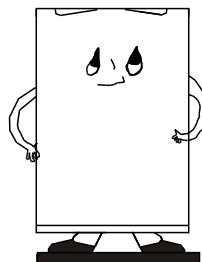
Protection from Heat

The refrigerator should be far away from any heat source or direct sunshine.



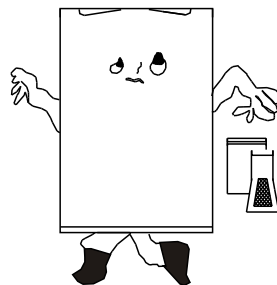
Fixing Stable

Floor on which refrigerator will be placed must be flat and solid. It should not be laid on any soft material such as foam plastic, etc. If the refrigerator is not on the same level, adjust the screws suitably. The refrigerator should not be placed near anything which may echo.



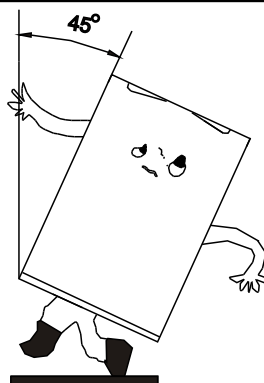
Keep Away from Danger

It is inadvisable that the refrigerator is placed near any volatilizable or combustible such as gas, petrol, alcohol, lacquer and banana oil, etc. The above-mentioned objects can not be stored in the refrigerator.



Moving

When fixed or moved, the refrigerator can not be set horizontally or declined to more than 45° or upside-down.



3.Cautions

- ★ It must be checked that the voltage used should be the same as the rated voltage before the refrigerator is used.
- ★ Water contained in food or getting into air inside the refrigerator by opening doors may form a layer of frost inside, It will weaken the refrigerator when the frost is thick, Therefore you should defrost manually when the ice is thick. When defrosting, a pan is needed to put under the evaporator for taking the defrost water.
- ★ If the supply cord of this appliance is damaged, it must only be replaced by a repair shop appointed by the manufacturer, because special purpose tools are required.
- ★ It is dangerous to alter the specifications or attempt to modify this products in any way
- ★ When the refrigerator is not in use for long periods, disconnect it from the electricity supply.
- ★ Wait for 5 minutes before restart the unit after the power supply blackout..

4.Changing the reversible door

This refrigerator has the capability of either opening the door from the left or right side. The unit is delivered to you with the door opening from the left side. Should you desire to reverse the opening direction, please follow these instructions.

NOTE:

Before Reversing the door ,the power must be shut off.

All parts removed must be saved to do the reinstallation of the door.

This refrigerator has been built with the door hinges on the right. If you wish to change the opening direction, follow the instructions below:

1. Remove the upper hinge cover(6) first
2. Remove the two screws (1) that hold the upper hinge (5) (right side) to the frame. Take away the upper hinge (5).
3. Lift the door and place it on a padded surface to prevent scratching it.
4. Remove the two screws(8) that hold the lower hinge(2) and Make sure to Remove the lower hinge(2).
5. Remove the left front leg (4) and transfer it to the right side.
6. Remove the hole cover plate(7) to the right side.
7. Before placing this lower hinge(2), remove the bolt-pin (9) and reverse the direction of the lower hinge(2). Then install the lower hinge (2) onto the left side of the lower frame with two screws (8).
8. Insert the bolt-pin(9) to the lower hinge (2).
9. Set the door to its place making sure the door seat at the lower hinge(2)
- 10: While holding the door in the closed position secure the upper hinge (5) in the top frame of left side with two screws (1). Please remember that do not tighten the two screws(1) until the top of the door is levelled with the counter top.
11. Install the upper hinge cover(6) on the upper hinge..

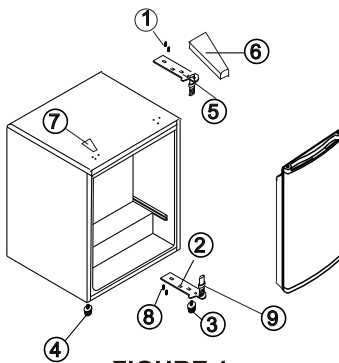


FIGURE 1

Door opening from left side

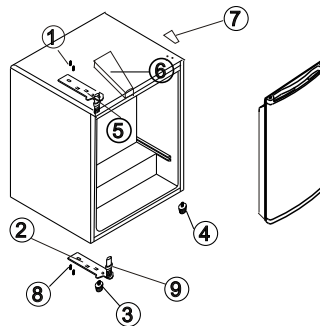


FIGURE 2

Door opening from right side

5.Maintenance

- ★ The refrigerator should be cleaned and maintained once a month.
- ★ When performing maintenance, make absolutely sure that the power plug is first disconnected from the power outlet.
- ★ Wipe the inner and outer surface of the refrigerator and its accessories with wet cloth. If they are too dirty, scrub them with neutral detergent, and then clean them with water and dry them with clean cloth. After this, a small quantify of glass wax is recommended to polish the refrigerator surface with a flannelette.
- ★ For cleaning, don't use hot water, diluent, petrol, alcohol, kerosene, washing powder, cleanser, alkalinous detergent, acid, Chemical cloth, etc. So as not to damage the lacquer coat and plastics. It is forbidden than the refrigerator is directly sprayed with water. Otherwise, it would cause rusty or weaken the insulation.
- ★ Be careful to upkeep the sealing rubber bars of the doors. They should always be cleaned.
- ★ If the plastic parts in refrigerator remain contaminated for a long time by oil (animal or vegetable), they will be easy aged and possibly cracked. The drain pan gets dirty very easily if it is not cleaned regularly, bad odours will be produced, get into the habit of cleaning this pan regularly.

6. Troubleshooting

1. When the refrigerator does not work

Check if there is a power failure.

Check if the power plug is plugged into the power outlet.

Check that the fuse has not blown.

2. When the refrigerator is cooling excessively

The temperature control dial may be set too high.

If you place foodstuffs containing a lot of moisture directly under the cool air outlets, they will freeze easily. This does not indicate a malfunction.

3. When the refrigerator is not cooling sufficiently

The food may be packed too tightly together which will block the flow of cool air.

You may have put something hot or a lot of foodstuffs into the refrigerator .

The door may not have been closed properly.

The door gaskets may be damaged.

The refrigerator may not be ventilated.

There may be insufficient clearance between the refrigerator and the surfaces

The temperature control dial may not be set properly.

4. When condensation form on the outside of the refrigerator.

Condensation may form on the outside when the humidity is high such as during a wet season. This is the same result as the condensation formed when chilled water is poured into a glass. It does not, therefore, indicate a failure, wipe dry with a dry cloth.

5. When you hear a sound like water flowing .

A sound like water flowing is the refrigerant flowing. It does not Indicate a malfunction.

6. When the cabinet's side panel heats up

The side panel of the cabinet will heat up when the door is opened or closed frequently, when starting the unit and when the unit operates in summer with high ambient outside temperature, In such case, do not touch the panel, it results from the dissipation of the heat from inside the cabinet, and it does not mean that something is wrong with the refrigerator.

7. Technical specifications

*For the detailed technical specifications, please refer to the nameplate at the back of the refrigerator.

*Specifications are subject to change without prior notice.

Warranty

TECMA LEMAIR Pty Limited

Lemair all fridge cyclic defrost refrigerators

1) Purchasers Statutory Rights

The supplementary warranty terms set out below are additional to and in no way limit, vary or exclude any rights conferred by conditions or warranties imposed and required to be binding by statute. Your attention is drawn to the provision of the trade practices act, 1974 and state legislation, which confers certain rights to consumers.

2) Supplementary Warranty

Domestic use (single family)

Tecma Lemair Pty Limited warrants to the original purchaser of the equipment purchased from an authorised dealer the following warranties:

12 MONTHS WARRANTY

From the original date of purchase covering parts and labour.

24 MONTHS WARRANTY

From the original date of purchase any defect found in the refrigeration system (compressor, evaporator and condenser) (excluding refrigerant) caused by faulty labour and or faulty materials will be rectified by Tecma Lemair during normal business hours.

Commercial or Industrial use. (More than single family use. Eg. Motels, offices, lunch rooms etc.)

One (1) YEAR WARRANTY

From the original date of purchase any defect found in the refrigeration system (compressor, evaporator and condenser, defrost system, temperature control etc) caused by faulty labour and or faulty materials will be rectified by Tecma Lemair during normal business hours. Plastic, rubber, painted surfaces and glass components are not covered under this limited commercial warranty.

The above warranties are subject to the following terms and conditions.

The above warranties are subject to the following terms and conditions.

Terms and conditions

1. The appliance is warranted for domestic and commercial use against faulty parts and workmanship for the warranty period shown above
2. At no time does LEMAIR have liability for any freight or transportation costs or for damage during transit or for any consequence of failure arising out of the failure of the product unless such limitation of liability is prohibited by statute. Tecma Lemair Pty Ltd suggests all food stuffs be adequately insured in the event of the failure of the refrigeration system or its controlling equipment.
3. In the event that the product is installed outside the normal service area of the authorised service provider, or not be accessible by a normal two wheel drive service vehicle, you shall

meet the cost of sending the product to the service centre or the service providers travelling costs to your home.

4. Warranty does not include any defect or failure attributable to accident, misuse, abuse, negligence, non- observance of operating instructions or local regulations on the part of the user, insect or vermin infestations, thunderstorm activity, and exposure to abnormally corrosive conditions or to improper installation or connection to inadequate or faulty power.
5. The warranty is valid to products installed in mainland Australia.
6. Excluded from warranty are plastic or glass components, painted surfaces and light globes.
7. Safe access and suitable no cost parking shall be provided for the servicer to transport themselves and their equipment to your home.
8. Warranty does not apply where:
 - i. equipment has been serviced by a person not authorised by Lemair to do so, or with non-approved parts.
 - ii. if any serial number has been removed or defaced.
 - iii. if the equipment is used outside mainland Australia.
 - iv. if the equipment is repossessed under any financing agreement

Tecma Lemair Pty Ltd reserves the right to charge for any service not covered by the Lemair supplementary warranty.

Should service be required under this warranty, the purchaser should contact an approved LEMAIR service provider.

Please complete the details below which should be kept for future reference.

Model Serial Number.....

Retailer.....Date of Purchase

Please retain this warranty card with your purchase receipt for presentation to the Service Technician in the event of a warranty claim.