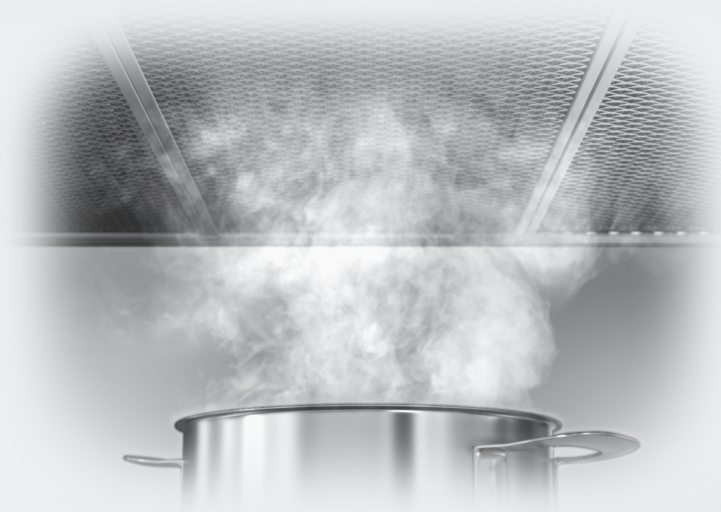


Operating and installation instructions

Rangehood



To prevent the risk of accidents or damage to the appliance, it is **essential** to read these instructions before it is installed and used for the first time.

Contents

Warning and Safety instructions	4
Caring for the environment	13
Guide to the appliance	14
Description of the functions	16
Operation	17
Switching the fan on	17
Selecting a power level	17
Switching the fan off	18
Switching the cooktop lighting on/off	18
Safety switch-off	18
Energy saving tips	19
Cleaning and care	20
Housing	20
Important for appliances with glass surfaces	21
Grease filter	21
NoSmell active charcoal filter	23
Disposing of the charcoal filter	23
Changing a halogen lamp	24
Installation	25
Before installation	25
Protective foil	25
Installation instructions	25
Dismantling	25
Assembly parts	26
Appliance dimensions	28
Safety distance (S)	29
Installation recommendations	31
Drilling diagram for wall mounting	31
Connection for air extraction	32
Condensate trap	33
Silencer	33
Electrical connection	35
After sales service and warranty	36
Position of the data plate	36

Technical data	37
-----------------------------	-----------

Warning and Safety instructions

This appliance complies with all relevant local and national safety requirements. Inappropriate use can, however, lead to personal injury and damage to property.

To avoid the risk of accidents and damage to the appliance, please read these instructions carefully before using it for the first time. They contain important notes on the safety, installation, use and maintenance of the appliance. Miele cannot be held liable for non-compliance with these instructions.

Keep these instructions in a safe place and ensure that all users are familiar with the contents. Pass them on to any future owner of the appliance.

Correct application

- ▶ This rangehood is designed for domestic use and for use in similar environments by guests in hotel or motel rooms, bed & breakfasts and other typical living quarters. This does not include common/shared facilities or commercial facilities within hotels, motels or bed & breakfasts.
- ▶ The appliance is not suitable for outdoor use.
- ▶ It must only be used to extract vapours and remove odours from cooking.
Any other usage is at the owner's risk. Miele cannot be held liable for damage resulting from incorrect or improper use or operation.
- ▶ This appliance is not intended for use by persons (including children) with reduced physical, sensory or mental capabilities, or lack of experience and knowledge, unless they have been given supervision or instruction concerning its use by a person responsible for their safety, and are able to recognise the dangers of misuse.

Safety with children

- ▶ Young children must not be allowed to use this appliance.
- ▶ Older children may only use the appliance when its operation has been clearly explained to them and they are able to use it safely, recognising the dangers of misuse.
- ▶ Cleaning work may only be carried out by older children under the supervision of an adult.
- ▶ Children should be supervised near the appliance. Ensure that they do not play with the appliance.
- ▶ Danger of suffocation! Children may be able to wrap themselves in packing material or pull it over their heads with the risk of suffocation. Keep children away from any packing material.

Warning and Safety instructions

Technical safety

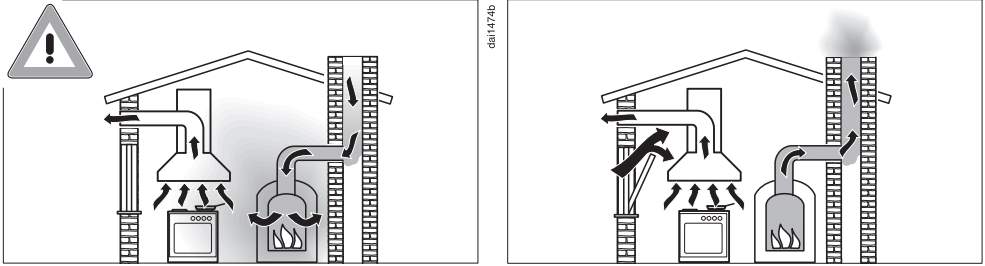
- ▶ Repairs and other work by unqualified persons could be dangerous. Installation, maintenance work and repairs to electrical appliances must only be carried out by a Miele approved service technician.
- ▶ A damaged appliance can be dangerous. Check it for visible signs of damage. Do not use a damaged appliance.
- ▶ The electrical safety of this appliance can only be guaranteed when continuity is complete between it and an effective earthing system. It is most important that this basic safety requirement is present and tested regularly and, where there is any doubt, the household wiring system should be inspected by a qualified electrician.
- ▶ Reliable and safe operation of this rangehood can only be assured if it has been connected to the mains electricity supply.
- ▶ Before connecting the appliance to the mains supply, ensure that the connection data on the data plate (voltage and frequency) matches the mains electricity supply. This data must correspond in order to avoid the risk of damage to the appliance. Consult a qualified electrician if in any doubt.
- ▶ Do not connect the appliance to the mains electricity supply by a multi-socket unit or an extension lead. Extension leads are a fire hazard and do not guarantee the required safety of the appliance.
- ▶ For appliances with an external motor fitted (...EXT models) the connection of the two units must be made using the control cable and the plug connectors.
These models may only be combined with a Miele external motor.

Warning and Safety instructions

- ▶ For safety reasons, this appliance may only be used after it has been built in.
- ▶ This rangehood must not be installed and operated in mobile installations (e.g. on a ship).
- ▶ Tampering with electrical connections or components and mechanical parts is highly dangerous to the user and can cause operational faults.
Only open the housing as described in the instructions given in the installation sheet and in the Cleaning and care section of this booklet. Under no circumstances should any other parts of the housing be opened.
- ▶ The manufacturer's warranty will be invalidated if the appliance is not repaired by a Miele approved service technician.
- ▶ Faulty components must only be replaced by genuine Miele spare parts. The manufacturer can only guarantee the safety of the appliance when Miele replacement parts are used.
- ▶ If the mains connection cable is damaged, it must only be replaced by a Miele authorised service technician in order to avoid a hazard.
- ▶ During installation, maintenance and repair work, the appliance must be disconnected from the mains electricity supply. It is only completely isolated from the electricity supply when:
 - the mains circuit breaker is switched off, or
 - it is switched off at the wall socket and the plug is withdrawn from the socket. Do not pull the mains connection cable but the mains plug to disconnect your appliance from the mains electricity supply.

Warning and Safety instructions

Using at the same time as other heating appliances that depend on the air from the room



Warning - danger of toxic fumes

Great care should be taken when using the rangehood at the same time and in the same room or area of the house as another heating appliance which depends on the air in the room. Such appliances include gas, oil, wood or coal-fired boilers and heaters, continuous flow or other water heaters, gas cooktops, or ovens which draw air in from the room and duct exhaust gases out through a chimney or extraction ducting.

When used in extraction mode, with or without an external motor fitted, or in recirculation mode with a recirculation box installed outside the room, the appliance draws air in from the room in which it is installed and from neighbouring rooms.

If there is insufficient air, an underpressure will occur. The heating appliance will be starved of oxygen, impairing combustion. Harmful gases could be drawn out of the chimney or extraction ducting back into the room, with potentially fatal consequences.

Warning and Safety instructions

In order to ensure safe operation, and to prevent gases given off by the heating appliances from being drawn back into the room when the rangehood and the heater are in operation simultaneously, an underpressure in the room of 0.04 mbar (4 pa) is the maximum permissible.

Ventilation can be maintained by air inlets which cannot be blocked, in windows, doors or outside wall vents, or by other technical measures, such as ensuring that the rangehood can only be switched on when the heating appliance is switched off or vice versa. A ventilation brick alone is not generally sufficient to ensure safe ventilation.

The overall ventilation condition of the dwelling must be taken into account. If in any doubt, the advice of a competent builder, or for gas a qualified gas fitter (registered with an official gas safety body in accordance with national safety regulations), must be sought.

If the rangehood is used in recirculation mode, where the air is directed back into the room in which it is located, operating a heating appliance which depends on the room air at the same time is not hazardous.

Warning and Safety instructions

Correct use

- ▶ Never use an open flame beneath the rangehood. To avoid the danger of fire, do not flambé or grill over an open flame. When switched on, the rangehood could draw flames into the filter. Fat deposits could ignite, presenting a fire hazard.
- ▶ The rangehood can become damaged when exposed to excessive heat.
 - When using the rangehood over a gas cooktop, ensure that any burners in use are always covered by a pan. Switch the cooking zone off when a pan is removed, even for a short time.
 - Select a pan which is suitable for the size of the burner.
 - Regulate the flame so that it does not burn up the sides of the pan.
 - Avoid overheating the pan (e.g. when cooking with a wok).
- ▶ Always switch the rangehood on when a cooking zone is in use, otherwise condensation may collect in the rangehood, which could cause corrosion.
- ▶ When cooking with oil or fat, chip pans and deep fat fryers etc., do not leave the pans unattended. Never leave an open grill unattended when grilling. Overheated oil and fat can ignite and could set the rangehood on fire.

Warning and Safety instructions

- ▶ Do not use the rangehood without the filters in place. This way you will avoid the risk of grease and dirt getting into the appliance and hindering its smooth operation.
- ▶ The rangehood can get very hot during cooking due to heat rising from the cooktop.
Do not touch the housing or the grease filters until the rangehood has cooled down.

Correct installation

- ▶ Refer to the cooktop manufacturer's instructions as to whether a rangehood may be operated above the cooktop.
- ▶ Safety regulations prohibit the fitting of a rangehood over solid fuel stoves.
- ▶ Insufficient distance between the cooktop and the rangehood can result in damage to the rangehood.
The minimum safety distances between the top of the cooktop and the bottom of the rangehood given in the "Installation" section must be maintained, unless the cooktop manufacturer states that a greater distance is required.
If more than one cooking appliance is fitted beneath the rangehood, and they have different minimum safety distances to the rangehood, select the greater distance.
- ▶ The distances given in "Installation" must be observed when fitting the rangehood.

Warning and Safety instructions

- ▶ All ducting, pipework and fittings must be of non-flammable material. These can be obtained from builders' merchants.
- ▶ The appliance must not be connected to a chimney or vent flue which is in use. Neither should it be connected to ducting which ventilates rooms with fireplaces.
- ▶ If exhaust air is to be extracted into a chimney or ventilation duct no longer used for other purposes, seek professional advice.

Cleaning and care

- ▶ There is a risk of fire if the rangehood is not cleaned as described in these operating instructions.
- ▶ Do not use a steam cleaning appliance to clean this appliance. The steam could reach electrical components and cause a short circuit.
- ▶ In areas which may be subject to infestation by cockroaches or other vermin, pay particular attention to keeping the machine and its surroundings in a clean condition at all times. Any damage which may be caused by cockroaches or other vermin will not be covered by the machine warranty.

Accessories

- ▶ Use only genuine original Miele spare parts. If spare parts or accessories from other manufacturers are used, the warranty will be invalidated, and Miele cannot accept liability.

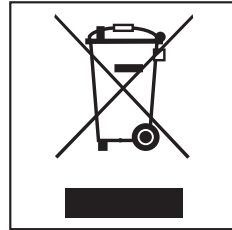
Disposal of the packing material

The transport and protective packing has been selected from materials which are environmentally friendly for disposal, and can normally be recycled.

Recycling the packaging reduces the use of raw materials in the manufacturing process and also reduces the amount of waste in landfill sites. Ensure that any plastic wrappings, bags etc. are disposed of safely and kept out of the reach of babies and young children. Danger of suffocation.

Disposing of your old appliance

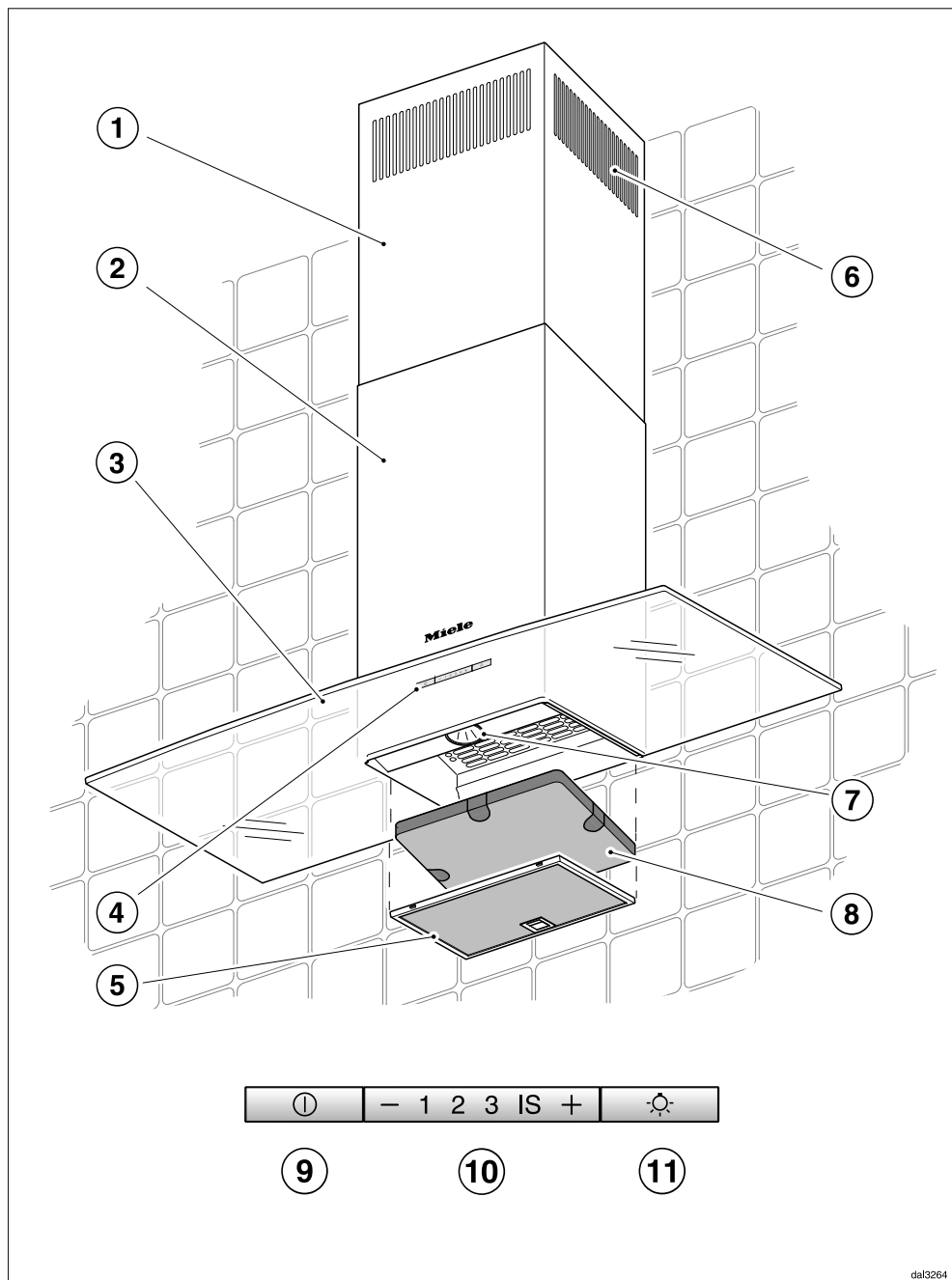
Electrical and electronic appliances often contain materials which, if handled or disposed of incorrectly, could be potentially hazardous to human health and to the environment. They are, however, essential for the correct functioning of your appliance. Therefore, please do not dispose of your old appliance with your household waste.



Please dispose of it at your local community waste collection / recycling centre.

Ensure that your old appliance presents no danger to children while being stored for disposal.

Guide to the appliance

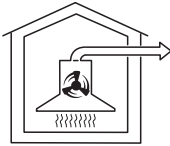


- ① Telescopic extension piece
- ② Tower
- ③ Canopy
- ④ Controls
- ⑤ Grease filter
- ⑥ Recirculation grilles
(only for recirculation mode)
- ⑦ Cooktop lighting
- ⑧ NoSmell active charcoal filter
(special accessory for recirculation mode)
- ⑨ On/Off touch control for the fan
- ⑩ Touch controls to select the fan power setting
- ⑪ On/Off touch control for the cooktop lighting

Description of the functions

Depending on the model of the rangehood, the following options are available:

Air extraction mode



da10094a

The air is drawn in and cleaned by the grease filter and directed outside.

Non-return flap

The non-return flap is designed to prevent the exchange of room and outside air taking place.

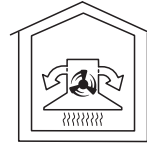
The flap is closed when the rangehood is switched off.

When the rangehood is switched on, the non-return flap opens for the cooking vapours to be blown directly outside.

If the on-site ventilation system does not have a non-return flap, the non-return flap supplied must be fitted.

Recirculation mode

(available as an optional extra with a conversion kit and charcoal filter: see "Technical Data")

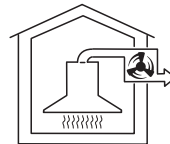


da10094b

The air is drawn in and cleaned first by the grease filter and then by a charcoal filter. The cleaned air is then recirculated back into the kitchen.

Operation with an external motor

(...EXT model rangehoods.
...EXT models are only available in selected countries.)



da10094c

Rangehoods set up for operation with an external motor have to be connected to a Miele external motor located in a suitable position outside the room in which the rangehood is installed. The external motor is linked to the rangehood via a control cable and then operated using the controls on the rangehood.

Switching the fan on

- Press the On/Off touch control ①.

The fan will switch on at setting **2**. The ① symbol and **2** will light up in the power setting display.

Selecting a power level



For light to heavy cooking vapours and odours, select from power settings **1** to **3**.

When frying or cooking food with a strong aroma, select the Intensive setting **IS**.

- For a lower power setting, press the "-" control, or "+" for a higher setting.

Automatic switch-off of the Intensive setting

You can set the Intensive setting so that it always only runs for 10 minutes before reverting automatically to setting **3**.

- To set this option, both the fan and the cooktop lighting must be switched off.
- Press the "-" and "+" controls at the same time for approx. 10 seconds, until the **1** lights up.
- Then press in turn,
 - the lighting control ,
 - then the "-" touch control, and
 - the lighting control  again.

If Automatic switch-off is not activated, the **1** and **IS** controls will flash.


- To activate it, press the "+" control.

If **1** and **IS** are lit up, Automatic switch-off is activated.

- To deactivate it, press the "-" control.
- Use the On/Off control ① to confirm your choice of setting.
If you do not confirm within 4 minutes, the rangehood will revert to the old setting.

Operation


Switching the fan off


- Press the On/Off touch control  to switch the fan off.

The  symbol will go out.

Switching the cooktop lighting on/off

The cooktop lighting can be switched on and off independently of the fan.

- To do this, press .

The  symbol will light up when the cooktop lighting is switched on.

Safety switch-off

Should the rangehood be left on, the fan will switch off automatically after 10 hours. The lighting will remain on.

- Pressing the On/Off control will switch the fan back on again.

This rangehood operates very efficiently and economically. The following will help you to save even more energy when using it:

- Ensure that there is sufficient ventilation in the kitchen when cooking. In extraction mode, if there is insufficient air flow the rangehood cannot operate efficiently and this causes increased operating noise levels.
- Always cook with the lowest possible setting. This produces fewer cooking vapours, so you can use a lower rangehood power level and therefore benefit from reduced energy consumption.
- Check the power level selected on the rangehood. A lower power level is generally sufficient for the majority of cooking. Only use the intensive setting when necessary.
- When a large volume of cooking vapours are being produced, switch to a high power level in good time. This is more efficient than operating the rangehood for longer to try to capture cooking vapours which have already been distributed throughout the kitchen.
- Make sure that you switch the rangehood off after use.
- Clean or change the filters at regular intervals. Heavily soiled filters reduce performance, increase the risk of fire and are unhygienic.

Cleaning and care

Housing

General

The surfaces and controls are susceptible to scratches and abrasion.

Please observe the following cleaning instructions.

- Switch the rangehood off before any cleaning or maintenance work is carried out.
- All external surfaces and controls can be cleaned using warm water with a small amount of washing-up liquid applied with a well wrung-out soft sponge or cloth.

Do not use too much water when cleaning the controls.

Water could penetrate into the electronics and cause damage.

- After cleaning, wipe the surfaces dry using a soft cloth.

Do not use:

- cleaning agents containing soda, acids, chlorides or solvents,
- abrasive cleaning agents, e.g. powder cleaners or cream cleaners and abrasive sponges, as well as pot scourers or sponges which have been used previously with abrasive cleaning agents. These will damage the surface material.

Important for appliances with stainless steel surfaces

(This information does not apply to the controls)

- Stainless steel surfaces can be cleaned with a proprietary non-abrasive cleaning agent designed specifically for use on stainless steel.
- To help prevent re-soiling, a proprietary conditioning agent for stainless steel (Original Miele Care product for stainless steel) can also be used. Follow the manufacturer's instructions on the packaging. Apply sparingly with a soft cloth following the instructions on the packaging.

Important for the controls

Do not leave soiling on the controls for any length of time.

Otherwise they may suffer discolouration or damage.

Remove any soiling immediately.

- Observe the general notes on cleaning earlier in this section.


Do not use stainless steel cleaning agents on the controls.

Important for appliances with glass surfaces

- Glass surfaces can be cleaned using a proprietary non-abrasive cleaning agent designed specifically for use on glass.

Grease filter

The re-usable metal grease filter in the appliance removes solid particles from the kitchen vapours (grease, dust, etc.) preventing soiling of the rangehood.

 An oversaturated filter is a fire hazard.

When to clean the grease filters

The grease filter should be cleaned regularly (at least every 3-4 weeks) to avoid a build-up of grease.

Removing a grease filter

The area around the filter will get very hot due to heat from the halogen lighting.

Danger of burning!

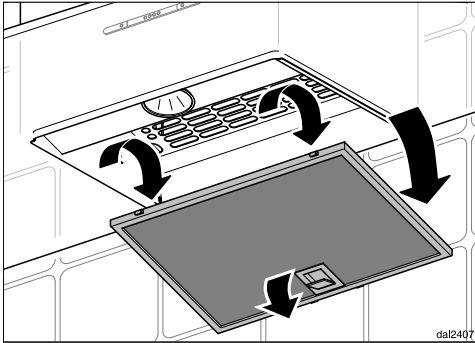
Switch the cooktop lighting off and wait a few minutes after cooking for the rangehood to cool down before removing the filter.

The grease filter can fall out when you are handling it.

This can result in damage to the filter and the cooktop below.

Make sure you hold the filter securely at all times when handling it.

Cleaning and care



- To take out a grease filter, release the locking clip on the filter, lower the filter approx. 45°, unhook it at the back and remove it.

Cleaning the grease filter by hand

- Clean the grease filter with a soft nylon brush in a mild solution of hot water and a small amount of washing-up liquid. Do not use undiluted washing-up liquid.

Unsuitable cleaning agents

Unsuitable cleaning agents can cause damage to the surface of the filters if used regularly.

Do not use:

- cleaning agents containing descaling agents,
- powder cleaners or cream cleaners,
- aggressive all-purpose cleaning agents or spray cleaners for grease,
- oven sprays.

Cleaning the grease filter in a dishwasher

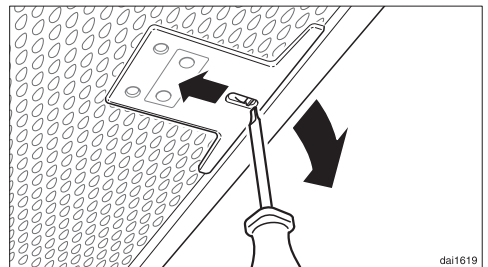
- Place the filter as upright as possible in the lower basket, with the short side upright, ensuring the spray arm is not obstructed.

- Use a proprietary household dishwasher detergent.
- Select a dishwasher programme with a wash temperature between 50 °C and 65 °C.

Depending on the cleaning agent used, cleaning the grease filter in a dishwasher can cause permanent discolouration to the surface. However, this will not affect the functioning of the filter in any way.

After cleaning

- After cleaning, leave the grease filter to dry on an absorbent surface before refitting it.
- When removing the filter for cleaning, also clean off any residues of oil or fat from the now accessible casing to prevent the risk of these catching fire.
- Replace the grease filter, making sure that the locking clip is facing down towards the cooktop.



- If a grease filter is inadvertently refitted upside down, insert a small screwdriver blade into the slit to disengage the clip.

NoSmell active charcoal filter

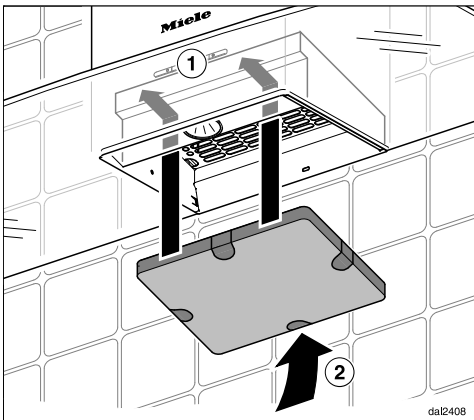
If the rangehood is connected for recirculation, a charcoal filter must be inserted in addition to the grease filter. This is designed to absorb cooking odours.

It is fitted in the canopy above the grease filter.

Replacement charcoal filters can be obtained from Miele or via the internet at www.miele-shop.com (depending on country). See back of booklet for contact details, and "Technical data" for type and reference number.

Fitting and replacing the charcoal filter

- Before fitting or replacing the charcoal filter, the grease filter must first be taken out (see previous section for instructions on how to do this).
- Unwrap the charcoal filter from its packaging.



- Insert the charcoal filter into the front of the frame ①, then push up into the frame at the back ②.

- Replace the grease filter.

When to change the NoSmell active charcoal filter

- Always replace the charcoal filter when it no longer absorbs kitchen odours effectively. It should, however, be replaced at least every 6 months.

Disposing of the charcoal filter

- The used charcoal filter can be disposed of with the normal household waste.

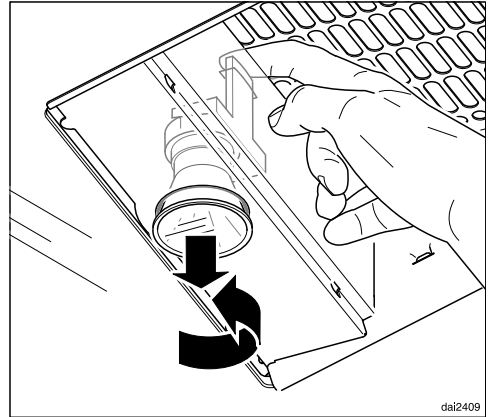
Cleaning and care

Changing a halogen lamp

The halogen lamps become very hot during operation. They can cause burns even after being switched off for some time. Allow them to cool down for a few minutes before changing them.


- Disconnect the rangehood from the mains electrical supply before replacing the lamps (see "Warning and Safety instructions").

- Remove the grease filter.
- Remove the charcoal filter if the rangehood is being used in recirculation mode.



- Push the button above the lamp down a little.
- Turn the halogen lamp anti-clockwise and pull it out.
- Replace it with a new lamp of the same type: GU/GZ 10, 230 V, 50W. Screw the lamp into the socket and push it upwards. Please the follow manufacturer's instructions.
- Replace the grease filter and, if being used in recirculation mode, the charcoal filter.

Before installation

 Before installation, it is important to read the information given on the following pages as well as the "Warning and Safety instructions" at the beginning of this booklet.

Protective foil

The housing components have protective film around them to prevent them from transport damage.

- Please remove this film before fitting the housing components. It can be peeled off easily.

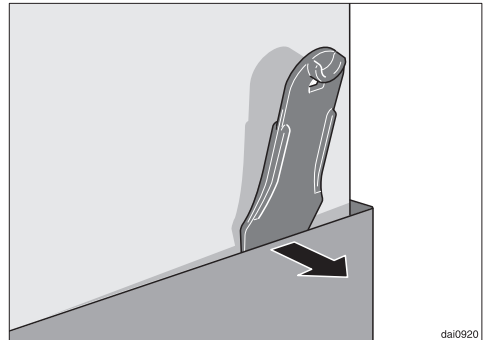
Installation instructions

See enclosed installation sheet for instructions on how to install this appliance.

Dismantling

Should the appliance ever need to be dismantled, follow the installation instructions in reverse order as described on the installation sheet. A lever is supplied to assist with the removal of the tower.

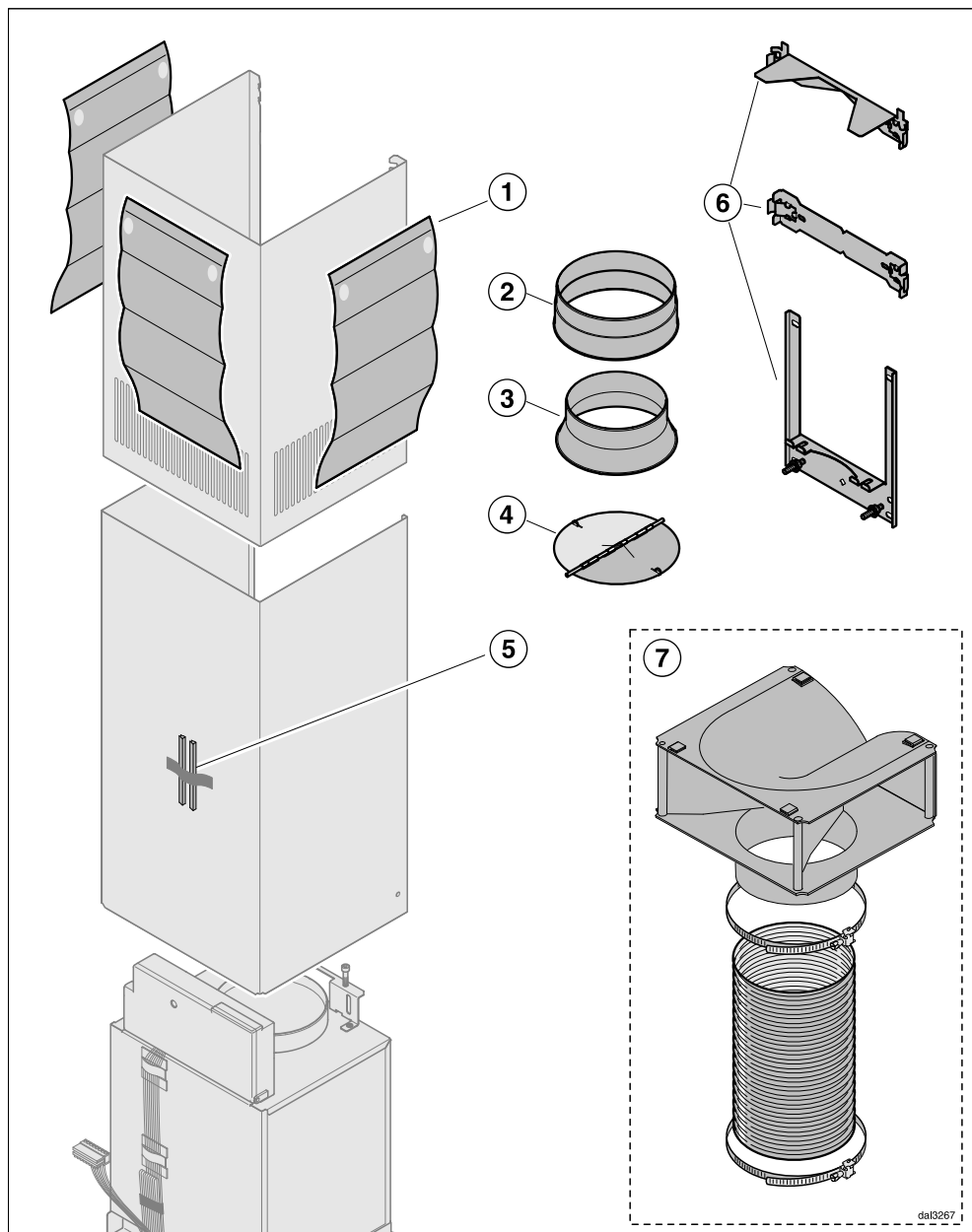
- After unscrewing the two fixing screws on the tower,



- push the lever between the tower and the extension piece to lever the tower out of its fixings.

Installation

Assembly parts



- ① **3 protective sheets**
for use when fitting the tower.
- ② **1 exhaust connection**
for exhaust ducting \varnothing 150 mm.
- ③ **1 reducing collar**
for exhaust ducting \varnothing 125 mm.
- ④ **1 non-return flap**
for fitting into the exhaust connection on the motor unit (not needed for recirculation mode).
- ⑤ **2 protective spacers**
for use when fitting the tower.
- ⑥ **Wall bracket**
for securing the rangehood to the wall.
- ⑦ **Conversion kit for recirculation mode**
including directional unit, flexible aluminium hose and hose clips (the conversion kit is not supplied. It is available as an optional extra - see "Technical data").



5x6/line+DIN6850

8 screws 5 x 60 mm and
8 plugs 8 x 50 mm
for securing the wall bracket.

The screws and plugs are designed for use in solid walls only. For other types of wall construction, alternative fixings will be required. Make sure the wall is able to take the weight of the rangehood.



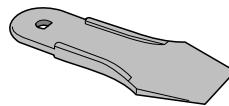
00031682

2 x M 6 self-tapping nuts
for securing the appliance.



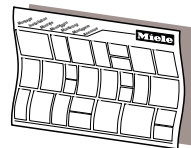
08256130

2 screws 3.9 x 7.5 mm
are not required.



00033716

1 lever
for dismantling the tower.

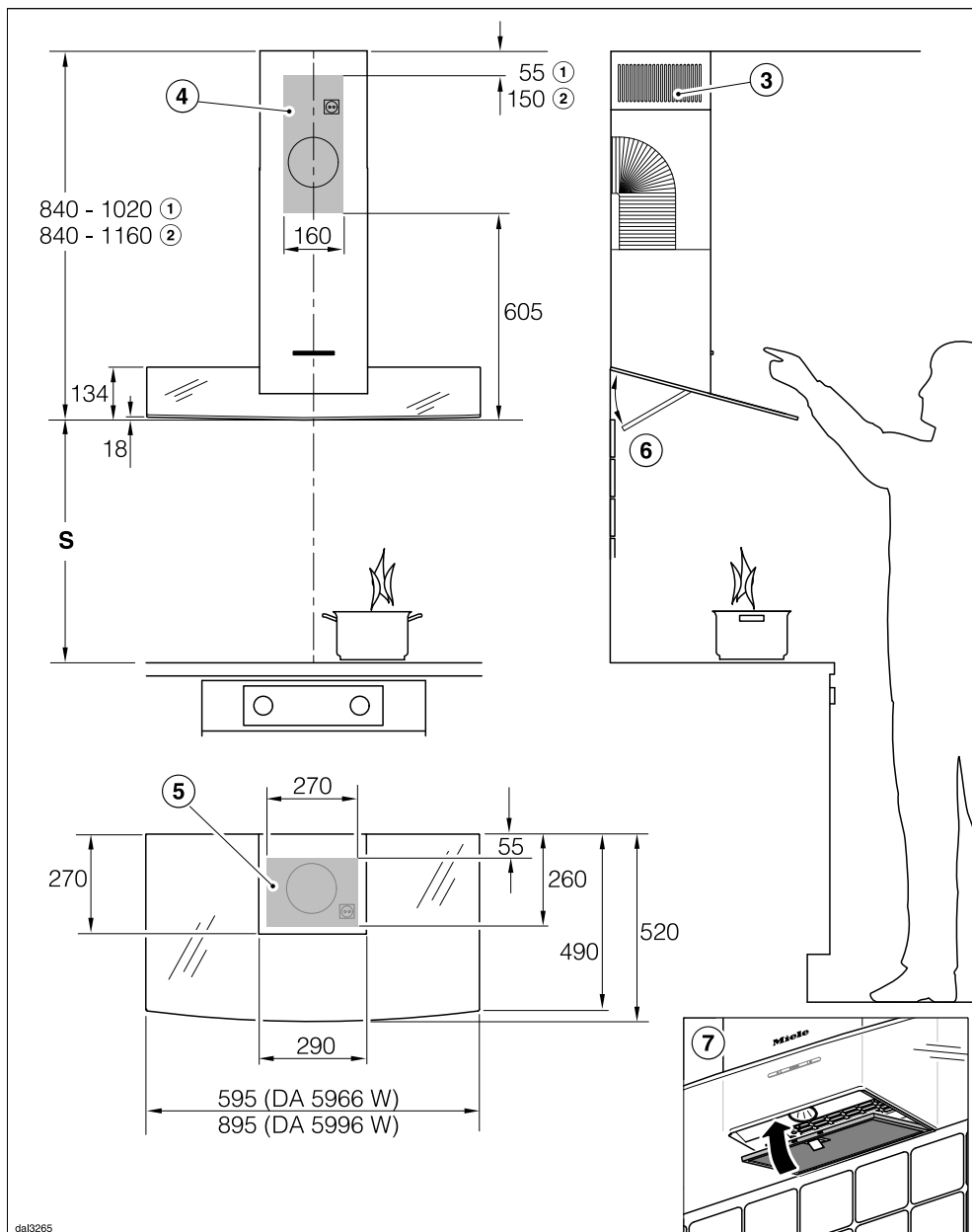


dinaSchiele

Installation instructions

Installation

Appliance dimensions



The drawing is not to scale.

- ① Extraction
- ② Recirculation
- ③ Ventilation grille positioned at the top for recirculation
- ④ ⑤ (only ④ is required for recirculation mode rangehoods): The shaded area represents the wall or ceiling area for the vent cut-out, for fitting the connection socket and on EXT models for feeding the connection cable through to the external motor. Recirculation mode rangehoods only require an electrical connection socket.
- ⑥ Existing tiling or a back panel behind the rangehood can make it difficult to remove the grease filter. If this is the case, turn the filter by 180° and fit it before the rangehood is installed ⑦.

Connection for air extraction \varnothing 150 mm, or \varnothing 125 mm with reducing collar.

Safety distance (S)

The minimum distances between the top of a cooktop (excluding trivets, dials - depending on model) and the bottom of the rangehood are as follows, unless a greater distance is specified by the manufacturer of your cooking appliance. See also "Warning and Safety instructions".

Installation

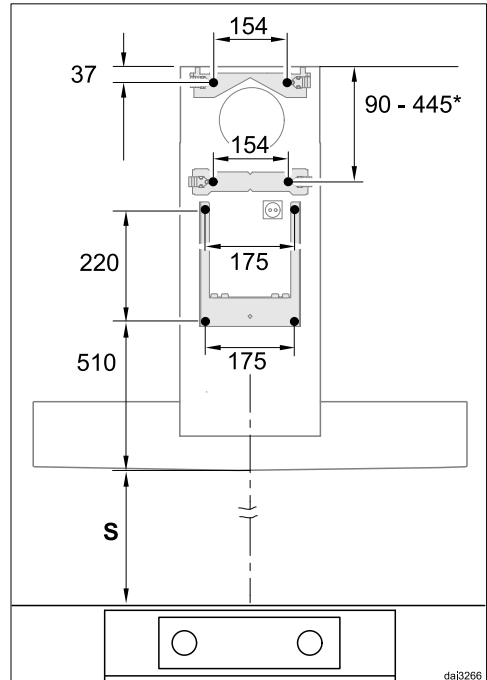
Cooking appliance	Minimum distance S
Electric cooktop	600 mm
Electric grill, deep fat fryer (electric)	650 mm
Multi-burner gas cooktop with maximum 45.4 MJ/h total output, with no burner having a greater output than 16.2 MJ/h.	650 mm
Multi-burner gas cooktop with total output greater than 45.4 MJ/h, but with a maximum of 77.8 MJ/h, with no burner having a greater output than 17.3 MJ/h.	760 mm
Multi-burner gas cooktop with total output greater than 77.8 MJ/h, with a single burner having a greater output than 17.3 MJ/h.	Not possible
Single burner gas cooktop with a maximum output of 21.6 MJ/h.	650 mm
Single burner gas cooktop with an output greater than 21.6 MJ/h, but with a maximum of 29.2 MJ/h.	760 mm
Single burner gas cooktop with an output greater than 29.2 MJ/h.	Not possible

Installation recommendations

- When deciding on the safety distance between the cooktop and rangehood, please note that a distance of 650 mm above electric cooktops may be preferable to give more working space under the rangehood.
- Account should also be taken of the height of the person who will be using the rangehood most often. They should have sufficient space to work comfortably at the cooktop, and be able to reach the rangehood controls with ease.
- If positioned too high, extraction will be inefficient.
- To achieve optimum vapour extraction, the rangehood must cover the cooktop. It should be positioned centrally over the cooktop, not to the side.
- The cooktop should be no wider than the rangehood and, if possible, it should be narrower, especially for safety distances greater than 750 mm.
- The installation area must be easily accessible. The rangehood should be easily accessible and easy to dismantle in the event that service is required. This should be taken into consideration when planning the position of cupboards, shelves, ceilings or features in the vicinity of the rangehood.

Drilling diagram for wall mounting

- Please follow the directions given in the installation instructions supplied for drilling.



- For pre-installation of a back wall where the holes have to be pre-drilled, please refer to the drilling distances in the drawing above (screws \varnothing 5 mm).

*The dimension for the middle wall bracket is variable. It will depend on the position of the wall vent and the socket. It should be set as low as possible.

Connection for air extraction

⚠ Before installation, it is important to read the information given on the following pages as well as the "Appliance dimensions" and the "Warning and Safety instructions" at the beginning of this booklet. This is particularly crucial when using the rangehood at the same time as a heating appliance that relies on oxygen from the same room, which could result in the build-up of toxic fumes.

The rangehood should be installed according to local and national building regulations. Seek approval from the building inspector where necessary.

- Only use smooth pipes or flexible hoses made from non-flammable materials for the extraction ducting.

Highly flexible, concertina type ducting material will greatly reduce the performance of the rangehood.

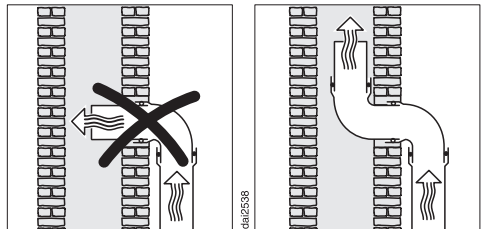
- When using an external motor, make sure that the exhaust ducting is sufficiently rigid. The external motor can cause an underpressure which can result in the exhaust ducting distorting.
- To achieve the greatest possible air extraction with the lowest noise level, please note the following:

To ensure efficient air extraction, the diameter of the exhaust ducting should not be less than 150 mm.

- A reduction in diameter will compromise the extraction performance of the rangehood.
- If flat ducting is being used, the cross-sectional area must not be smaller than the cross-sectional area of the exhaust connection.
- The exhaust ducting should be as short and straight as possible.
- Only use wide radius bends.
- The exhaust ducting should not be kinked or compressed.
- Ensure that all connections are strong and airtight.

Remember that any constriction of the airflow will reduce extraction performance and increase operating noise.

- If the exhaust is ducted through an outside wall, a telescopic wall vent or a roof vent (available as an optional accessory) is recommended.

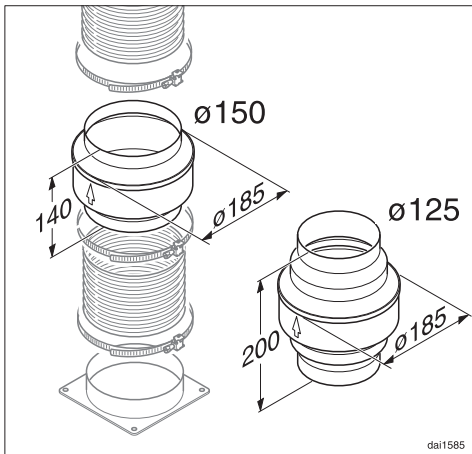


- If the exhaust air is to be ducted into a vent flue, the ducting must be directed in the flow direction of the flue.

Connection for air extraction

- When ducting is horizontal it must be laid to slope away at at least 1 cm per metre. This is to ensure that condensate cannot drain back into the rangehood.
- If the exhaust ducting is to run through rooms, ceiling space etc. where there may be great variations in temperature between the different areas, the problem of condensation will need to be addressed. The exhaust ducting will need to be suitably insulated.

Condensate trap



In addition to insulating the exhaust ducting, we recommend that a suitable condensate trap is also installed to collect and evaporate any condensate which may occur.

Condensate traps are available for 125 mm or 150 mm ducting.

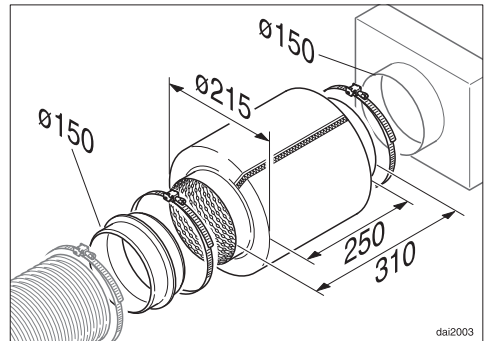
- When installing a condensate trap, ensure that it is positioned vertically and if possible directly above the

exhaust collar.

The arrow on the housing indicates the direction of airflow.

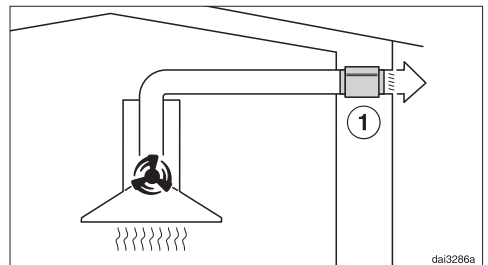
The condensate trap will be integrated in rangehoods which are designed to be connected to an external fan (model.....EXT).

Silencer



To achieve even further reductions in noise levels, a special silencer (optional accessory) can be fitted in the ducting system.

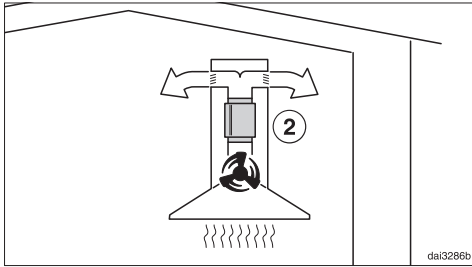
Air extraction mode



The silencer not only reduces noise from the motor outside the house, but also sounds from outside (e.g. traffic noise). For this reason, the silencer must be positioned as close as possible to the ducting exit ①.

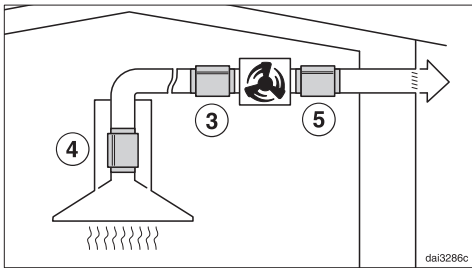
Connection for air extraction

Recirculation mode



The silencer needs to be positioned between the exhaust connection and the directional unit ②. Ensure there is adequate space in the tower for fitting it.

Air extraction with external motor



To minimise noise from the motor in the kitchen, the silencer should be positioned in front of the external motor ③ if possible, or, if the ducting is long, above the exhaust connection inside the rangehood ④. In the case of an external motor located inside the house, fitting a silencer behind the external motor ⑤ reduces the noise of the motor outside the house.

All electrical work should be undertaken by a suitably qualified and competent person in strict accordance with current national and local safety and building code regulations. Installation, repairs and other work by unqualified persons could be dangerous, for which the manufacturer cannot be held liable. Ensure power is not supplied to the appliance until after installation or repair work has been carried out.

The rangehood must be connected to a suitably earthed socket (AC 230 V, 50 Hz).

For extra safety it is advisable to install a residual current device (RCD) with a trip current of 30 mA.

Connection of this appliance should be made via a suitable isolator which complies with national and local safety regulations and the On-Off switch should be easily accessible after the appliance has been built in.

If the mains socket is not accessible after installation, an additional means of disconnection must be provided for all poles. There must be an all-pole contact gap of 3 mm in the switch (including switch, fuses and relays according to EN 60335).

The connection data is given on the data plate (See "After sales service"). Ensure that this data matches the household mains supply.

After sales service and warranty

In the event of a fault which you cannot remedy yourself, please contact Miele.

The contact details for Miele are given at the back of these instructions.

When contacting Miele, please quote the model and serial number of your appliance.

These can be found on the data plate.

Position of the data plate

The data plate is visible after removing the grease filter.

Warranty

The manufacturer's warranty for this appliance is 2 years.

For further information, please refer to your warranty booklet.

Technical data

Fan motor*	200 W
Cooktop lighting	1 x 50 W
Total rated load*	250 W
Voltage, frequency	AC 230 V, 50 Hz
Fuse rating	10 A
Mains connection cable length	1.5 m
Weight	
DA 5966 W	19 kg
DA 5996 W	22 kg
DA 5996 W EXT	19 kg

* For EXT models, the rated load and extraction power will depend on the type of external motor fitted.

Length of connection cable to external motor: 1.9 m

Recirculation mode with conversion kit DUW 20 and charcoal filter DKF 11 (optional accessories)

Technical data

Data sheet for domestic cooker hoods

In acc. with delegated regulation (EU) No. 65/2014 and regulation (EU) No. 66/2014

MIELE	
Model name / identifier	DA 5966 W
Annual Energy Consumption (AEC_{hood})	106,4 kWh/year
Energy efficiency class	
A+ (most efficient) to F (least efficient)	D
Energy efficiency index (EEl_{hood})	87,6
Fluid Dynamic Efficiency (FDE_{hood})	18,4
Fluid Dynamic Efficiency class	
A (most efficient) to G (least efficient)	C
Lighting Efficiency (LE_{hood})	18,0 lx/W
Lighting Efficiency class	
A (most efficient) to G (least efficient)	C
Grease Filtering Efficiency	92,6 %
Grease Filtering Efficiency class	
A (most efficient) to G (least efficient)	B
Airflow at best efficiency point	291,4 m ³ /h
Air flow (min. speed)	150 m ³ /h
Air flow (max. speed)	360 m ³ /h
Air flow (intensive or boost setting)	530 m ³ /h
Max. air flow (Q_{max})	530 m ³ /h
Air pressure at best efficiency point	325 Pa
Airborne acoustical A-weighted sound power emissions (min. speed)	44 dB
Airborne acoustical A-weighted sound power emissions (max. speed)	60 dB
Airborne acoustical A-weighted sound power emissions (intensive or boost setting)	69 dB
Electrical power input at best efficiency point	143,0 W
Power consumption in off mode (P_o)	W
Power consumption in standby mode (P_s)	0,85 W
Nominal power of lighting system	50,0 W
Average illumination of the lighting system on the cooking surface	900 lx
Time increase factor	1,3

Data sheet for domestic cooker hoods

In acc. with delegated regulation (EU) No. 65/2014 and regulation (EU) No. 66/2014

MIELE	
Model name / identifier	DA 5996 W
Annual Energy Consumption (AEC_{hood})	106,4 kWh/year
Energy efficiency class	
A+ (most efficient) to F (least efficient)	D
Energy efficiency index (EEl_{hood})	87,6
Fluid Dynamic Efficiency (FDE_{hood})	18,4
Fluid Dynamic Efficiency class	
A (most efficient) to G (least efficient)	C
Lighting Efficiency (LE_{hood})	12,8 lx/W
Lighting Efficiency class	
A (most efficient) to G (least efficient)	D
Grease Filtering Efficiency	92,6 %
Grease Filtering Efficiency class	
A (most efficient) to G (least efficient)	B
Airflow at best efficiency point	291,4 m ³ /h
Air flow (min. speed)	150 m ³ /h
Air flow (max. speed)	360 m ³ /h
Air flow (intensive or boost setting)	530 m ³ /h
Max. air flow (Q_{max})	530 m ³ /h
Air pressure at best efficiency point	325 Pa
Airborne acoustical A-weighted sound power emissions (min. speed)	44 dB
Airborne acoustical A-weighted sound power emissions (max. speed)	60 dB
Airborne acoustical A-weighted sound power emissions (intensive or boost setting)	69 dB
Electrical power input at best efficiency point	143,0 W
Power consumption in off mode (P_o)	W
Power consumption in standby mode (P_s)	0,85 W
Nominal power of lighting system	50,0 W
Average illumination of the lighting system on the cooking surface	640 lx
Time increase factor	1,3

Technical data

Data sheet for domestic cooker hoods

In acc. with delegated regulation (EU) No. 65/2014 and regulation (EU) No. 66/2014

MIELE	
Model name / identifier	DA 5996 W EXT
Annual Energy Consumption (AEC_{hood})	36,5 kWh/year
Energy efficiency class	
A+ (most efficient) to F (least efficient)	D
Energy efficiency index (EEl_{hood})	85,3
Fluid Dynamic Efficiency (FDE_{hood})	
Fluid Dynamic Efficiency class	
A (most efficient) to G (least efficient)	-
Lighting Efficiency (LE_{hood})	12,8 lx/W
Lighting Efficiency class	
A (most efficient) to G (least efficient)	D
Grease Filtering Efficiency	%
Grease Filtering Efficiency class	
A (most efficient) to G (least efficient)	-
Airflow at best efficiency point	m ³ /h
Air flow (min. speed)	m ³ /h
Air flow (max. speed)	m ³ /h
Air flow (intensive or boost setting)	m ³ /h
Max. air flow (Q_{max})	m ³ /h
Air pressure at best efficiency point	Pa
Airborne acoustical A-weighted sound power emissions (min. speed)	dB
Airborne acoustical A-weighted sound power emissions (max. speed)	0 dB
Airborne acoustical A-weighted sound power emissions (intensive or boost setting)	dB
Electrical power input at best efficiency point	W
Power consumption in off mode (P_o)	W
Power consumption in standby mode (P_s)	0,85 W
Nominal power of lighting system	50,0 W
Average illumination of the lighting system on the cooking surface	640 lx
Time increase factor	

Miele Australia Pty. Ltd.

ACN 005 635 398
ABN 96 005 635 398

Miele Center and Head Office Melbourne:

1 Gilbert Park Drive
Knoxfield, VIC 3180

Miele Center and Office Melbourne:

206-210 Coventry Street
South Melbourne, VIC 3205

Miele Center and Office Sydney:

3 Skyline Place
Frenchs Forest, NSW 2086

Miele Center and Office Brisbane:

39 Harvey Street North
Eagle Farm, QLD 4009

Miele Center and Office Adelaide:

83-85 Sir Donald Bradman Drive
Hilton, SA 5033

Miele Center and Office Perth:

205-207 Stirling Highway
Claremont, WA 6010



www.miele.com.au



Miele New Zealand Limited

IRD 98 463 631

Head Office:

Level 2, 10 College Hill
Freemans Bay, Auckland 1011

Miele Center Auckland:

8 College Hill
Freemans Bay, Auckland 1011

Telephone:

0800 4 MIELE (0800 464 353)

www.miele.co.nz

Miele Global Headquarters

Germany

Miele & Cie. KG

Carl-Miele-Straße 29
33332 Gütersloh
Federal Republic of Germany

DA 5966 W
DA 5996 W
DA 5996 W EXT



en-AU, NZ

M.-Nr. 09 705 610 / 01