

## H 6860 BP

## Ovens

- the multi-talented expert from Miele.



- Multicoloured TFT touch display with clear text – M Touch
- Perfect baking and roasting results – Moisture Plus
- Precise temp. control means perfect cooking – wireless food probe
- The simple way to perfect results – Automatic programmes
- Minimal cleaning effort – Pyrolytic cleaning

<b>Construction type</b>	
Built-in oven	•
<b>Design</b>	
PureLine	•
Colour	Brilliant white
Display	M Touch
<b>Convenience features</b>	
Precise temperature regulation	30 - 300°C
Wireless food probe	•
Crisp function	•
<b>Operating modes</b>	
Defrosting	•
Automatic programmes	More than 100
Country-specific automatic programmes	•
Auto roast	•
Gentle bake	•
Grill	•
Economy grill	•
Fan plus	•
Intensive bake	•
Moisture plus	•
Low temperature cooking	•
Conventional heat	•
Top heat	•
Bottom heat	•
Fan grill	•
Special applications	•
<b>User convenience</b>	
MultiLingua	•
MyMiele	•
Automatic programme search function	•
Timed steam bursts programmable	•
Polyphonic buzzers	•
Time of day display	•
Date display	•
Minute minder	•
Clock buffer in h	200
Start-stop programming	•
Safety switch-off	•
Programmable cooking duration	•
Value entry via number pad	•
Actual temperature display	•
Recommended temperature	•
Buzzer when desired temperature is reached	•
User programmes	20
Sabbath programme	•
Individual settings	•
<b>Door</b>	
CleanGlass door	•
Door contact switch	•
Door hinge	Bottom

## H 6860 BP

## Ovens

- the multi-talented expert from Miele.

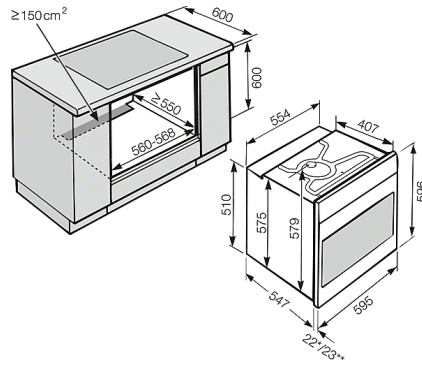


<b>Oven compartment</b>	
Oven compartment volume in l	76
No. of shelf levels	5
Numbered shelf levels	•
No. of halogen lamps	3x
<b>Cleaning convenience</b>	
Pyrolytic self-cleaning	•
Heated catalyser	•
Hinged grill heater element	•
<b>Efficiency and sustainability</b>	
Energy-saving lighting	•
Residual heat utilisation	•
Rapid heat-up	•
<b>Safety</b>	
Appliance cooling system and touch-cool fronts	•
Safety switch-off	•
System lock	•
Door lock during pyrolytic cleaning	•
<b>Technical data</b>	
Niche width in mm	560
Niche height in mm	593
Niche depth in mm	550
Appliance width in mm	554
Appliance height in mm	579
Appliance depth in mm	547
Weight in kg	47.0
Total rated load in kW	3.7
Voltage in V	230
Fuse rating in A	16
Number of phases	1
<b>Standard accessories</b>	
Universal tray with PerfectClean	1
Baking tray with PerfectClean	1
Baking and roasting rack PyroFit	1
FlexiClip runners PyroFit	1 pair
Recipe booklet	•
Mains cable	•
Descaling tablets	•

## H 6860 BP

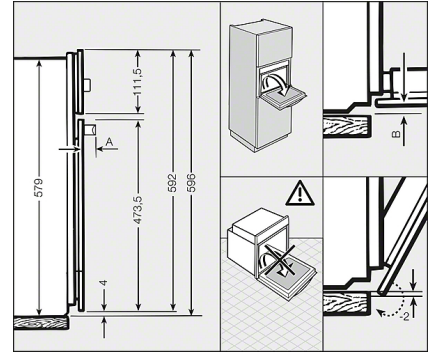
### Ovens

- the multi-talented expert from Miele.



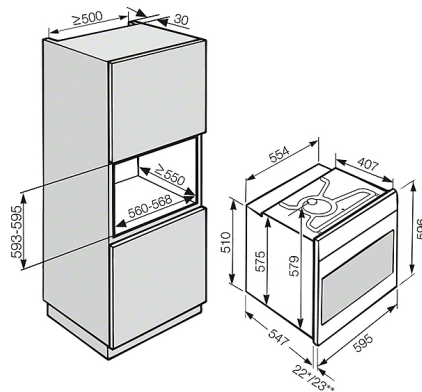
H 5000 EP/BP - 60 cm (Installation drawing)

- \* Appliances with glass front
- \*\* Appliances with metal front



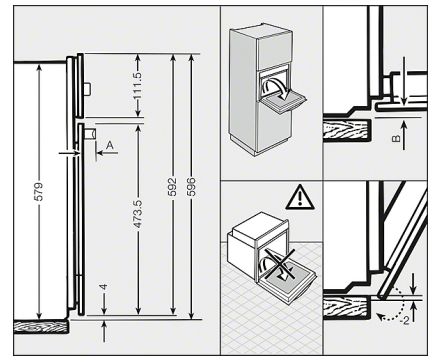
Detailed installation drawing H 6000, H 5000, H 4000, E/B, EP/BP, 76 litres, (Installation drawing)

- A = Design "ContourLine": 45 mm
- Design "PureLine": 42 mm
- B = Appliances with glass front: 2,2
- Appliances with metal front: 1,2



H 5000 BP; H 6000 BP; H 2000 BP; 60 cm (Installation drawing)

- \* Appliances with glass front
- \*\* Appliances with metal front



Detailed drawing H 6000, H 5000, H 4000, E/B, EP/BP, 76 litres, (Installation drawing) VG AUS, VG GB

- A = Design "ContourLine": 45 mm
- Design "PureLine": 42 mm
- B = Appliances with glass front: 2,2
- Appliances with metal front: 1,2