

H 6401 BMX

Handleless microwave combination oven with intuitive touch operation and automatic programmes for perfect results.



- handleless kitchen design & convenient door opening – Touch2Open
- TFT text display with touch operation – DirectSensor
- Easy clean – Cook compartment has PerfectClean & linen structure
- Quick cooking – combined microwave modes
- The simple way to perfect results – Automatic programmes

Construction type	
Built-in microwave combination oven	•
Design	
ArtLine	•
Handleless	•
Colour	Obsidian black
Display	DirectSensor
Convenience features	
Precise temperature regulation	30 - 250°C
Power levels in W	80/150/300/450/600/850/1000
Electronically controlled microwave power	•
Keeping warm	•
Operating modes	
Defrosting	•
Automatic programmes	More than 60
Auto roast	•
Gentle bake	•
Grill	•
Fan plus	•
Microwave	•
Microwave + Auto roast	•
Microwave + Grill	•
Microwave + Fan plus	•
Microwave + Fan grill	•
Fan grill	•
Special applications	•
User convenience	
Touch2Open	•
MultiLingua	•
Popcorn function	•
Time of day display	•
Date display	•
Minute minder	•
Clock buffer in h	200
Start-stop programming	•
Safety switch-off	•
Programmable cooking duration	•
Actual temperature display	•
Door button confirmation	•
Recommended temperature	•
Buzzer when desired temperature is reached	•
Recommended microwave output for each operating mode	•
Quick microwave	•
User programmes	20
Individual settings	•
Door	
SoftOpen	•
CleanGlass door	•
Door contact switch	•
Door hinge	Bottom

H 6401 BMX

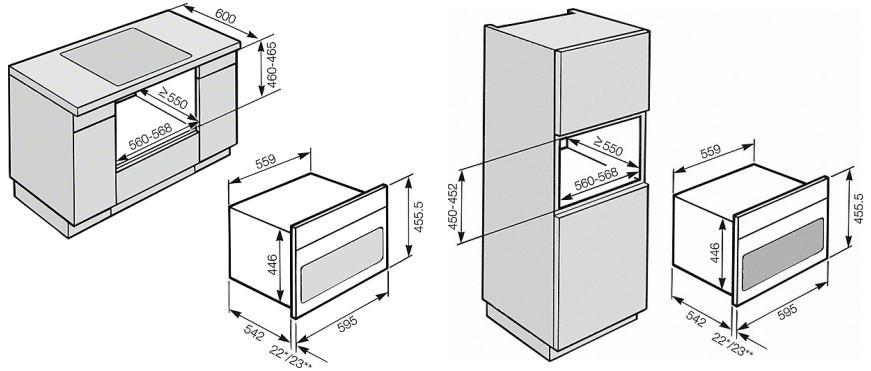
Handleless microwave combination oven
with intuitive touch operation and automatic programmes for perfect results.



Oven compartment	
Oven compartment volume in l	43
No. of shelf levels	3
No. of halogen lamps	1
Cleaning convenience	
Stainless-steel oven compartment with linen-weave pattern PerfectClean finish	•
Hinged grill heater element	•
Efficiency and sustainability	
Energy-saving lighting	•
Residual heat utilisation	•
Rapid heat-up	•
Safety	
Appliance cooling system and touch-cool fronts	•
Safety switch-off	•
System lock	•
Technical data	
Niche width in mm	560
Niche height in mm	450
Niche depth in mm	550
Appliance width in mm	559
Appliance height in mm	446
Appliance depth in mm	542
Weight in kg	43.0
Total rated load in kW	2.2
Voltage in V	230
Fuse rating in A	16
Number of phases	1
Standard accessories	
Baking and roasting rack with PerfectClean	1
Glass tray	1
Cookbook	•
Mains cable	•
Mains plug	•

H 6401 BMX

Handleless microwave combination oven with intuitive touch operation and automatic programmes for perfect results.

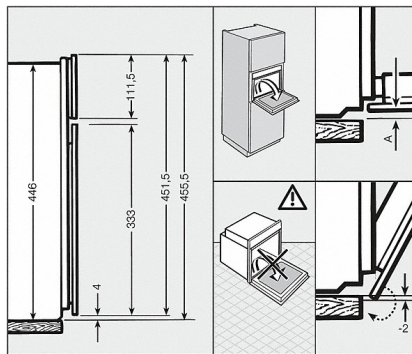


H 5000 BM, H 6000 BM - 45 cm (Installation drawing) VG AUS, VG GB

H 6000 BM - 45 cm (Installation drawing) VG AUS, VG GB

- * Appliances with glass front
- ** Appliances with metal front

- * Appliances with glass front
- ** Appliances with metal front



Detailed installation drawing H 6000 BMX, ArtLine (Installation drawing)