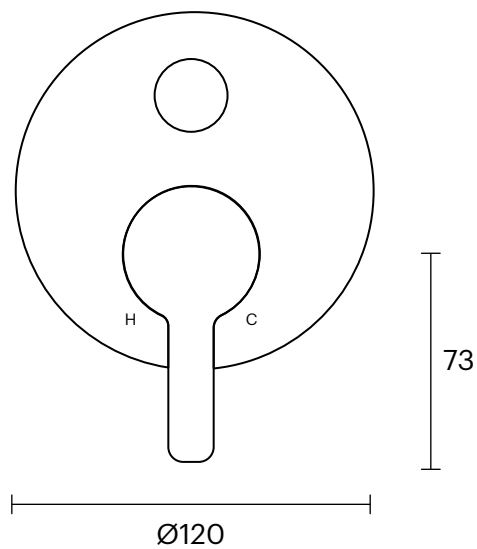
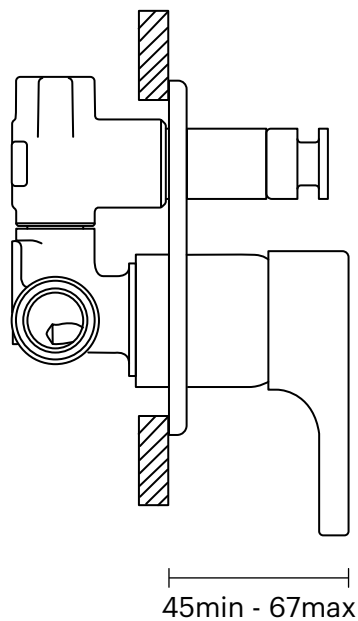


# Arq by Rogerseller

Technical Overview

53mm-70mm Finished Wall



Arq by Rogerseller Shower  
Mixer and Diverter  
3606003401 — Chrome

10 finishes available

#### Please note

- Secure the mixer body to a suitable noggin, take note of the finished wall dimension to ensure the mixer body is positioned correctly.
- The mixer must be installed square to the finished tile face to ensure the cover-plate sits flush.
- During rough in always make sure the protective cover is left on to prevent damage to the mixer.
- Brazed connections should NOT be made directly onto the mixer as excessive heat will damage it.
- Supply pipe work must be flushed clean before installation.
- Full installation instructions come with the product

## Specifications

It is a requirement of State Plumbing Codes that licensed plumbers carry out all tapware installations. All installations should comply with the relevant requirements of AS/NZS 3500 and local plumbing codes.

### Pressure:

[1] Maximum Hydrostatic Pressure: 1000kpa. This pressure may be exceeded only under test conditions as per AS/NZS 3500. Where hydrostatic pressure exceeds the maximum stated above, pressure-limiting valves should be installed. [2] Recommended Maximum Hydrostatic Pressure: 500kpa (AS/NZS 3500)

[3] Recommended Minimum Hydrostatic Pressure: 150kpa

### Temperature:

Maximum Water Temperature: 80° C. For optimum performance, hot and cold inlet water pressure should be equal.

## Care and Maintenance

[1] Product should be inspected for surface damage prior to installation. [2] Cleaning and handling of all finishes must be performed carefully. [3] Clean products using a soft cloth with warm soapy water only. [4] Never use harsh detergents or abrasive cleaners as these will damage the product. [5] Water marks and oil residue can be removed from Matt Finishes with an application of a carnauba wax based non-abrasive polish on a microfibre cloth. [6] Contact with harsh chemicals such as hair dye, hair bleach etc will result in damage to the finish. [7] Tapware should never be installed using acetone silicones. [8] Avoid the use of wax based furniture creams as this can result in a build up of deposits which will detract from the appearance. [9] Damage to finishes arising from improper installation or post installation use or failure to observe the above care and cleaning instructions will void all warranty agreements.

## Warranty

Rogerseller tapware, bathroom fittings and sanitary ware are covered by a five (5) year warranty from date of purchase. For full terms and conditions please refer to [rogerseller.com.au](http://rogerseller.com.au)

### Rogerseller Showrooms —

#### Melbourne

173-177 Barkly Avenue  
Burnley VIC 3121  
P 03 9429 8888

#### Sydney

18 Danks Street  
Waterloo NSW 2017  
P 02 8396 8700

#### Brisbane

74-76 McLachlan Street  
Fortitude Valley QLD 4006  
P 07 3251 4333

### Concept Stores —

#### Southern Innovations

(Fishwick ACT)  
P 02 6143 2666

#### Southern Innovations

(Mitchell ACT)  
P 02 6129 7666

#### Southern Innovations

(Albury NSW)  
P 02 6022 2777

#### Routleys Plumbing Innovations

(Malvern SA)  
P 08 8291 3000

**RAM**  
TAPWARE

[rogerseller.com.au](http://rogerseller.com.au)