

ADWSI600X

semi-integrated dishwasher



- SIZE mm** stainless steel control panel
598Wx570Dx815H (min) + 50
- FINISH** semi integrated – door panel supplied and fitted by builder
- CAPACITY** 12 placesettings
- FEATURES**
 - 6 wash programs
 - 49 dBA
 - delay start
 - short wash program
 - direct injection wash system
 - dual zone alternative wash
 - stainless steel interior
 - Turbo drying system
 - long-stem glass capacity
 - self-cleaning microfilter
 - rinse aid indicator
 - inlet hose: 1800mm | outlet hose: 2000mm
- POWER** 10 AMP GPO; standard 3-pin plug and cord length 220-240V, 50Hz



PROGRAM	TYPE	CYCLE	DETERGENT pre/main gr	DURATION minutes	ENERGY kW/hr	WATER litres	RINSE AID
intensive	for heaviest soiled loads, eg pots, pans, casserole dishes, and dried-on food	prewash 50°C prewash/wash 65°C rinse/rinse/rinse 55°C drying	5/25	130	1.5	23	√
heavy	for heavily soiled loads, eg pots, plates, glasses and lightly soiled pans – standard daily cycle	prewash 50°C wash 50°C rinse/rinse 65°C drying	5/25	160	1.3	15	√
normal*	for normally soiled loads, eg plates, glasses, bowls and normally soiled pans	wash 55°C rinse/rinse/rinse 50°C drying	5/25 (or tablet)	110	0.82	12	√
rinse	for dishes that need to be rinsed and dried only	wash 40°C rinse 70°C drying		80	1.0	8	√
rapid	a shorter wash for lightly soiled loads that do not need drying	wash 40°C rinse rinse 45°C	20	30	0.5	12	
3in1	for normally soiled loads such as pots, plates, glasses and lightly soiled pans	prewash 50°C wash 50°C rinse/rinse 65°C drying	3in1	160	1.3	15	

* AS/NZS 2007.1: Test cycle program
√ Rinse Aid required

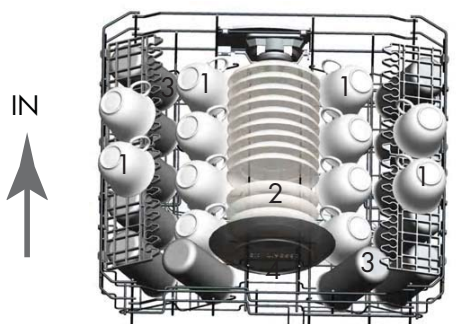
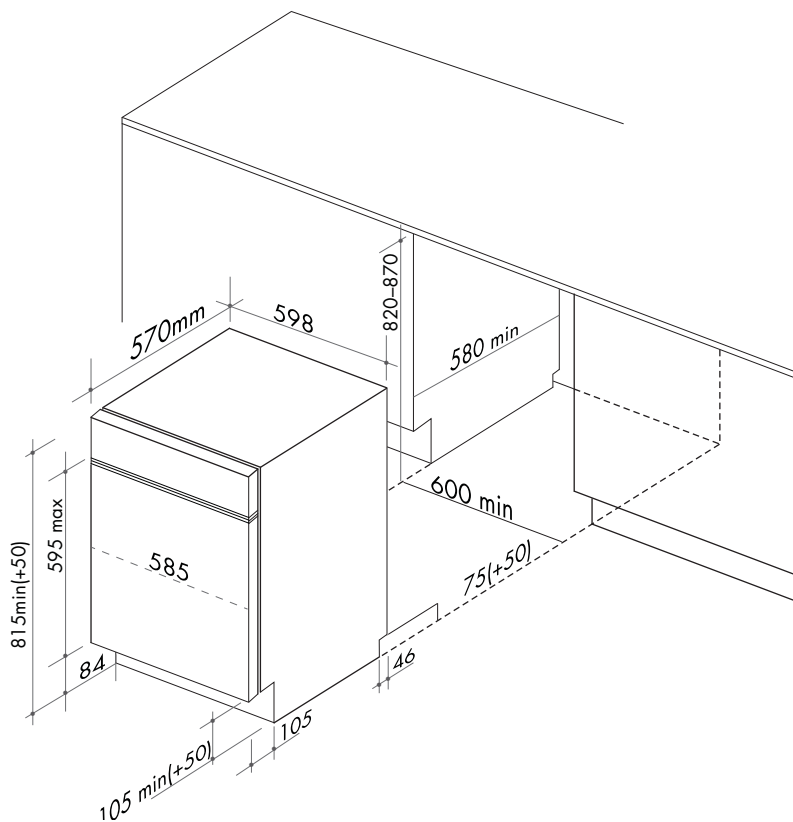
EAN 9347777000774

DISCLAIMER

EuroInx Pty Ltd, trading as ARTUSI Appliances, is continually seeking ways to improve the design specifications, aesthetics and production techniques of its products. As a result alterations to our products and designs take place continually. Whilst every effort is made to produce information and literature that is up to date, this brochure should not be regarded as an infallible guide to the current specifications, nor does it constitute an offer for the sale of any particular product. Product dimensions indicated in our literature is indicative only. Actual product only should be used to define dimension cutouts. Distributors, and retailers are not agents of ARTUSI Appliances and are not authorized to bind ARTUSI Appliances by any express or implied undertaking or representation.

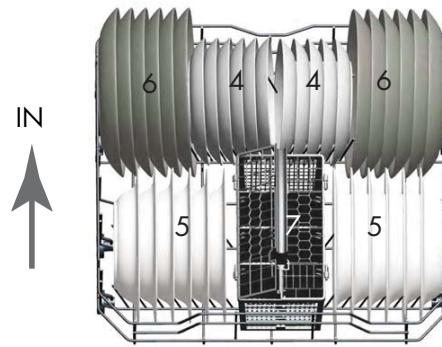
ADWSI600X

semi-integrated dishwasher



- 1 cups
- 2 saucers
- 3 glasses
- 4 dessert plates

The upper basket is designed to hold more delicate and lighter dishware such as glasses, coffee and tea cups and saucers, as well as small plates and bowls and shallow pans (provided they are not too soiled).



- 4 dessert dishes
- 5 soup plates
- 6 dinner plates
- 7 cutlery

It is suggested that large items, and items that are most difficult to clean, are placed in the lower basket — eg pots, pans, lids, serving dishes etc. It is preferable to place serving dishes and lids on the side of the racks to avoid blocking rotation of the top spray arm.

NB: drawings are not to scale — they are to be used as a guide only

Australia National Telephone Number 1300 694 583 New Zealand Telephone Number 0508 458 369
 ARTUSI showrooms are open daily from 9am-5pm and Saturdays 10am-4pm

artusi.com.au

NSW & ACT
(head office)

48 Moore Street
 Leichhardt
 02 8569 4699

VIC | SA

1211 Toorak Road
 CAMBERWELL
 03 9809 2155

TASMANIA

3 Pear Avenue
 DERWENT PARK 7009
 03 6272 7386

QLD

1/42 Cavendish Road
 COORPAROO
 07 3397 0850

WA | NT

10/55 Howe Street
 OSBORNE PARK
 08 9201 9188

New Zealand

PO Box 11.160
 Sockburn Christchurch
 03 344 5913