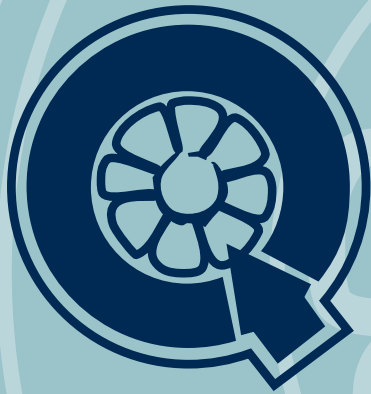


CONDARI
PTY. LTD.



QASAIR®
QASAIR

RANGEHOODS

WALL MOUNT
INSTALLATION & USER
INSTRUCTIONS

Important Information	4
Instructions for Models H Series & PYR	6
Instructions for Models 3F / SEA / SMF / CM / STA / STF / IN	10
Instructions for Models BRH / LAM / BAR / MAR / MAJ / FAS	28
Remote Switching Specifications	39
Ducting Pieces	42
Installation Ideas	54
Operation Details, Rangehood Cleaning, Filter Cleaning	59
Appliance Guarantee	60
Guarantee Exclusions	61
Standard Warranty / Extended Warranty	62

IMPORTANT INFORMATION

The installation of QASAIR Rangehoods must comply with the information in this booklet. QASAIR Rangehoods are designed and made to work efficiently over all domestic cookware available on the Australian market.

Clearance from cooktop to Rangehood

For electric hot plate cooktops

As there are no regulations for Rangehoods over an electric hot plate, please follow the manufacturers Instructions / Recommendations.

For Induction cooktops

Induction cooktops may present problems with condensation on filters of Rangehoods.

All Qasair Rangehoods installed above an induction cooktop must be installed no less than 750mm between the induction cooktop and the Rangehood, with the exception of the Eastmore (EAS) Rangehood which can be installed no less than 600mm. Undermount (NDCH) and Conley (CON) Rangehoods are **not** suitable for induction cooktops.

For gas cooktops

All Qasair Rangehood installations over a gas appliance must comply with (AS/NZS 5601.1).

The Regulations for the installation of Gas Appliances (AS/NZS 5601.1) states that the clearance between the highest part of the burner of a gas cooking appliance and a Rangehood be no less than 600mm. If the gas appliance is designed for use without a cooking vessel like an indoor barbecue or open flame grill, then the clearance from the cooking surface to the Rangehood shall be no less than 1200mm.

All Qasair Rangehoods installed above a gas cooktop must be installed no less than 600mm between the highest part of the burner and the Rangehood.

The recommendation for Qasair Wallmount Rangehoods is that they be installed between 700 to 800mm above the highest part of the burner. When the Rangehood is installed in a galley or partially enclosed kitchen the Rangehood can be installed between 900 to 1000mm above the highest part of the burner.

Qasair Island Rangehoods should not be installed any higher than 800mm above the highest part of the burner as any movement around the bench will result in fumes being drawn out from the catchment area of the Rangehood with the exception of the Thermidor and Liverpool which for aesthetic reasons is installed flush with the ceiling.

Ducting

1. Every QASAIR Rangehood must be ducted to the outside atmosphere by the use of zinc-alume duct or non-porous and non-flammable materials. **Do not use of any type of flexible ducting or plastic PVC piping.** Rangehoods must not be vented into a wall cavity or a ceiling space. Externally ducting the rangehood prevents a build up of grease, which can be a fire risk. Ensure the external outlet vent does not restrict the airflow in any way, as this may result in reduced performance.
2. QASAIR Rangehoods must be ducted in duct work equivalent to the outlet of the rangehood ie: The cross sectional area of the rangehood outlet and the duct work must be equal. Do not reduce the duct size or have sharp bends. Enlarge the duct size if the duct is to run 6 metres or longer. Advice from CONDARI is available to ensure optimum performance. Always use nonflammable materials to minimise the risk of fire in the duct.
3. Ensure all ducting pieces are correctly fitted and sealed with either duct tape or silicone to ensure that fumes do not escape into the ceiling space and seep into living areas through vents or light fittings.

Other Important Information

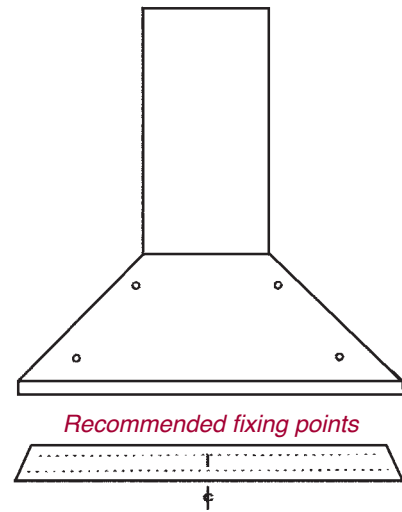
1. **Always adequately ventilate the room when the rangehood is in use at the same time as appliances burning gas or other fuels.**
2. **WARNING:** Incorrect venting will result in additional noise and a reduction in efficiency. Exhaust air must not be discharged into any chimney or flue, which may carry combustible products from other sources.
 - a) Do not discharge the air-flow from the rangehood into a flue used for exhausting fumes from burning gas or fuel;
 - b) For cleaning purposes please refer to page 59 of installation instructions for stainless steel;
 - c) If cleaning is not carried out in accordance with the instructions as listed on page 59, there may be an increased risk of fire;
 - d) Some parts of the rangehood may become hot when cooking;
 - e) This appliance is not intended for use by persons (including children) with reduced physical, sensory or mental capabilities, or lack of experience and knowledge, unless they have been given supervision or instruction concerning use of the appliance by a person responsible for their safety.
3. The installation and fitting of the rangehood should be done in such a way that will allow the unit to be removed if service is required. Additional costs incurred in the removal of wall tiles, damage to walls or bench tops are not covered by warranty.
4. To reduce the risk of fixing screws coming in contact with live parts, do not drill or screw into the rangehood. Live wires are encapsulated where possible to prevent user contact. If necessary drill from the inside out and only through single sheet material.
5. **NOTE:** CONDARI recommend an air movement of between 1000 to 1400 cubic metres per hour over an indoor barbecue, depending on the length of the duct run. Ensure a twin motor unit is installed over indoor barbecues for optimum results. Barbecues should be positioned under the centre of the hood where the fans are mounted and not near the outer edges where leakage may occur.
6. The lights in the rangehoods are LED and come with a night light except for D400L-1 and SEN400L-1.
7. If the supply cord is damaged, an authorised service centre or licensed electrician must replace it.
8. Do not flambé under the rangehood.
9. QASAIR domestic rangehoods must not to be used over barbecues approved for outdoor use only, CONDARI make a range of hoods specifically for outdoor barbecues in alfresco areas under the CONDOR name.
10. CONDARI can manufacture rangehoods to be used over commercial cookers in domestic applications.
12. **NOTE:** Ensure all requirements are met with gas and electrical regulations and or state authorities.

INSTALLATION INSTRUCTIONS

- H SERIES
- PYR

*Installation must be carried out by the procedure outlined.
Failure to do so may void the guarantee.*

Electrical: *Wiring to the appliance must comply with State and local Regulations.
Connection to be carried out by a registered electrician.*



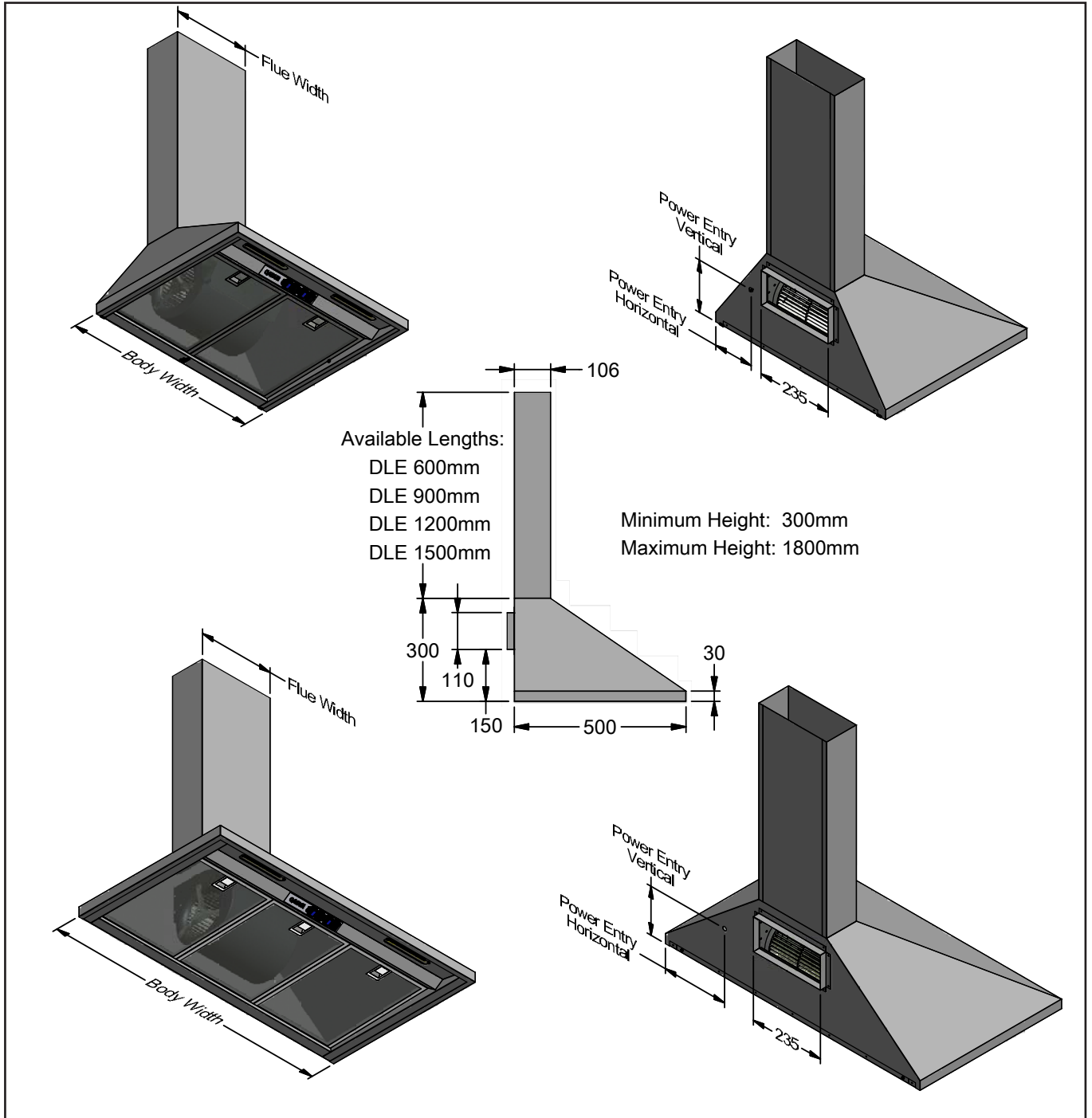
MOUNTING BRACKET

- Use vertically punched slot for centre line
- Before cutting any holes check ceiling space for structural beams. It may be possible at this point to relocate the hood position.

The fixing points are prepunched holes in the back of the hood and it may be necessary to drill through the back of the hood into the wall stud.

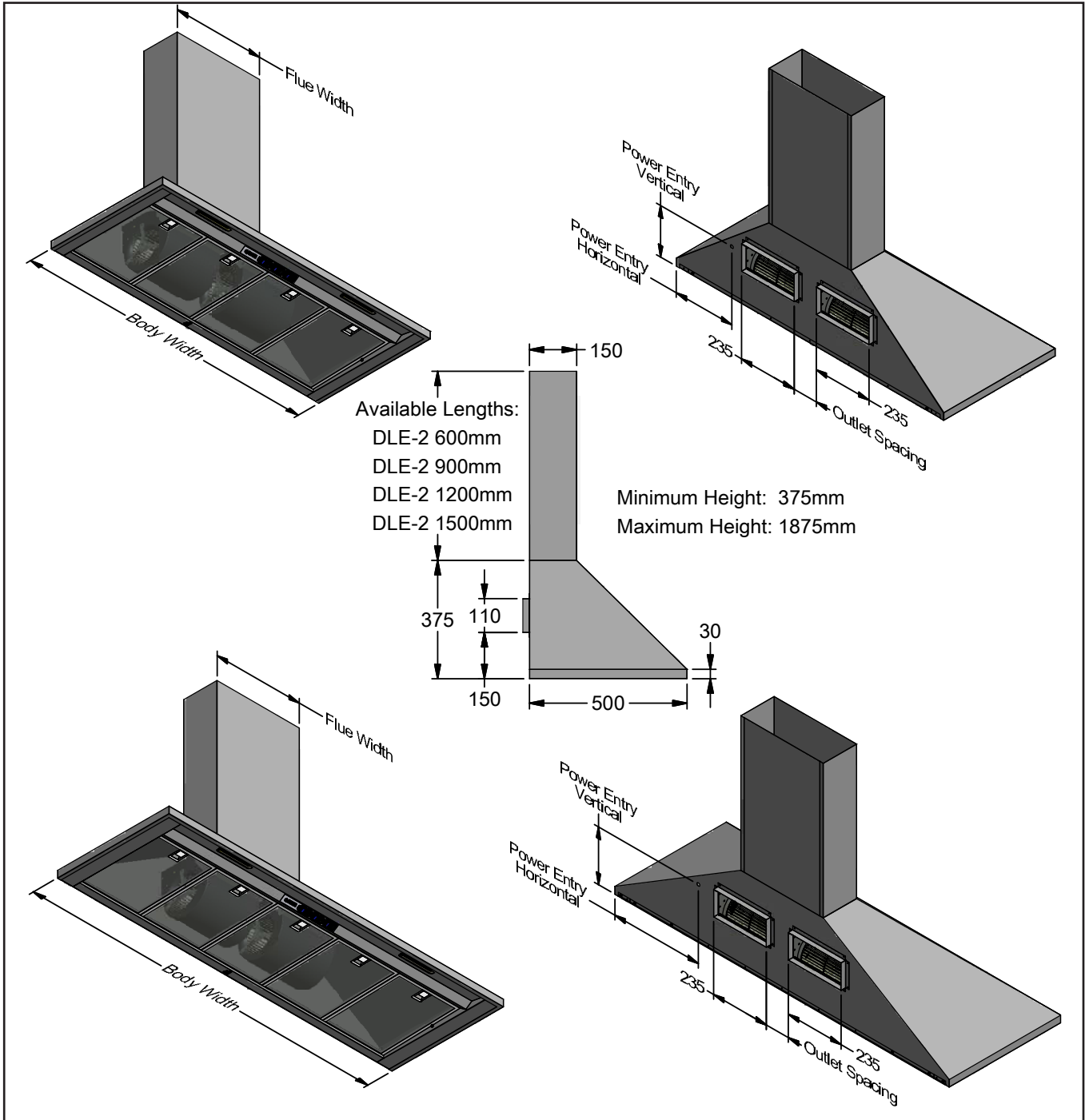
1. Remove canopy and flue from boxes and check you have correct model and flue.
2. Locate centre point of cooktop.
3. Use level or plumb line to mark centre up to ceiling.
4. Mark level line for base of canopy 700-800mm above bench 750mm desirable.
5. Check roof space above for wires and obstructions as now is the time to decide on any changes to location due to immovable obstructions.
6. Mark flue size on ceiling and cut neat exact hole to pass flue through.
7. For rear ducted models cut hole in wall for vent to pass through.
8. Fix mounting bracket to wall at desired height.
9. Remove fan(s) from canopy by removing side fixing bolts and disconnecting electrical plug at flexible connector.
10. Locate solid fixing points on wall and drill holes in rear of canopy to suit. If no solid fixing is available then now is the time to install fixing points. Four points are recommended with one on each side at top and one on each side at bottom.
11. Drill hole in rear of unit to pass power connection through where available on wall.
12. Check flue slides through hole in ceiling.
13. Place canopy flat on floor and fit stainless flue over spigot pushing all the way down for a neat fit. Drill hole in rear of flue and fix to canopy with pop rivet or screw.
14. Carefully lift canopy into position, guiding flue through ceiling and feeding power cable through hole in rear of canopy. Make sure canopy is sitting correctly on mounting bracket then fix to wall through fixing holes with solid screws. (You may need to place a packer behind canopy if wall is bowed to make the canopy sit correctly).
15. Complete electrical connection to 10 AMP junction box to local electrical authority regulations ensuring power is turned off during work.
16. Fit ducting to outside or exterior wall vent for rear ducted models. (Seal rear vents onto rear of hood with silicone). A plumber should seal roof penetration with appropriate flashing. All joins in ducting need to be sealed with duct tape or silicone and only use approved ducting of the correct size for your canopy.
17. Fit motor(s) back into canopy with fixing bolts and plug electrical connector in.
18. Test run hood.

HERITAGE - H



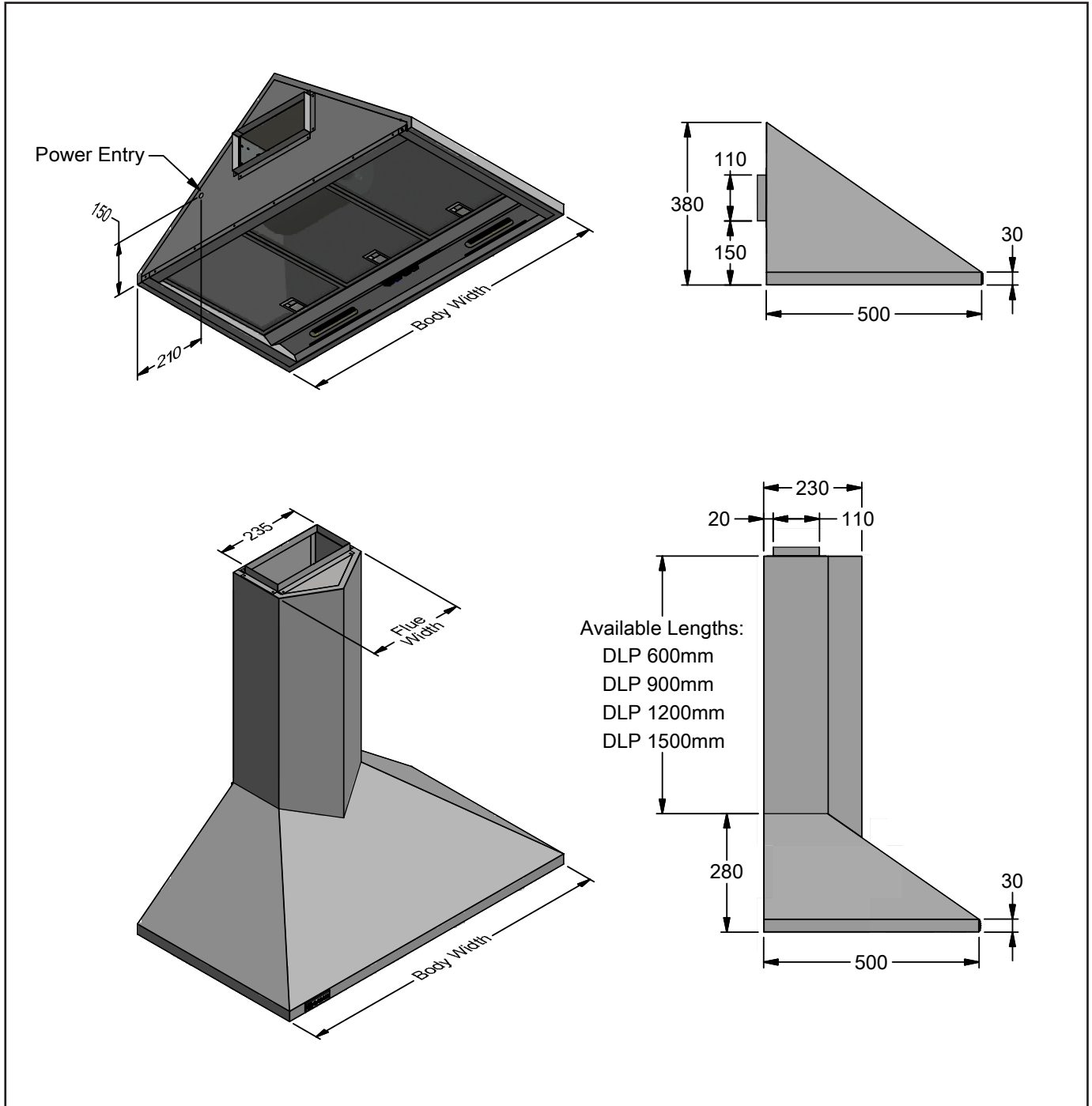
Model	600HL-1	700HL-1	900HL-1	Model	600HL-1	700HL-1	900HL-1
Body Width	600mm	700mm	900mm	Filter Size	272mm x 355mm	290mm x 355mm	272mm x 355mm
Motor Box / Flue Width	240mm	240mm	240mm	Conversion Top/Back Back/Top	NO	NO	NO
Motor Qty	1	1	1	Electrical Connection	Junction Box	Junction Box	Junction Box
LED Light	Cool	Cool	Cool	Power Entry Vertical	150mm	130mm	150mm
Nightlight	YES	YES	YES	Power Entry Horizontal	125mm	135mm	210mm
Light Qty	2	2	2	PowderKote® Available	YES	YES	YES
Light Centres	310mm	310mm	510mm	Outlet Spacing	N/A	N/A	N/A
Filter Qty	2	2	3	Corner Type	Square	Square	Square
				Condari Pty Ltd.	Version: C 20/01/2015F		Page 1 of 2

HERITAGE - H



Model	1000HL-2	1200HL-2	1500HL-2	Model	1000HL-2	1200HL-2	1500HL-2
Body Width	1000mm	1200mm	1500mm	Filter Size	290mm x 355mm	272mm x 355mm	272mm x 355mm
Motor Box / Flue Width	370mm	370mm	370mm	Conversion Top/Back Back/Top	NO	NO	NO
Motor Qty	2	2	2	Electrical Connection	Junction Box	Junction Box	Junction Box
LED Light	Cool	Cool	Cool	Power Entry Vertical	130mm	190mm	215mm
Nightlight	YES	YES	YES	Power Entry Horizontal	150mm	250mm	375mm
Light Qty	2	2	2	PowderKote® Available	YES	YES	YES
Light Centres	510mm	648mm	816mm	Outlet Spacing	75mm	100mm	100mm
Filter Qty	3	4	5	Corner Type	Square	Square	Square
				Condari Pty Ltd.	Version: C 20/01/2015F		Page 2 of 2

PYRAMID - PYR



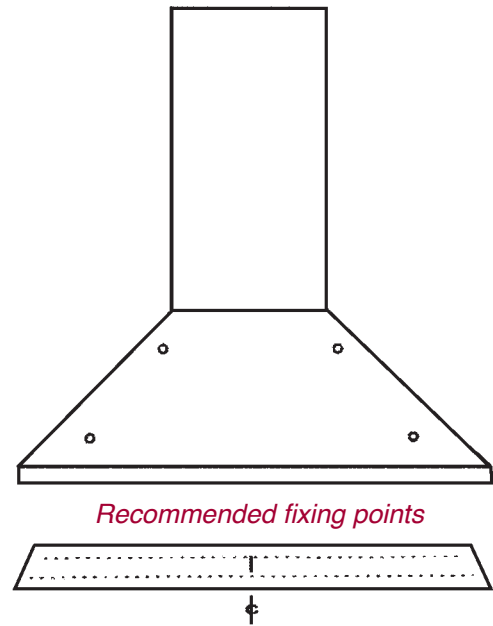
Model	PYR 900L-1	Model	PYR 900L-1
Body Width	900mm	Filter Size	272mm x 355mm
Motor Box / Flue Width	270mm	Conversion Top/Back Back/Top	NO
Motor Qty	1	Electrical Connection	Junction Box
LED Light	Cool	Minimum Height (H =)	N/A
Nightlight	YES	Maximum Height (H =)	N/A
Light Qty	2	PowderKote ® Available	N/A
Light Centres	510mm	All-thread Fixing Centres	N/A
Filter Qty	3	Corner Type	Square
		Condari Pty Ltd.	Version: B 20/01/2015F
			Page 1 of 1

INSTALLATION INSTRUCTIONS

- 3F
- SEA
- SMF
- CM
- STA / STF
- IN (REMOTE SWITCHED)

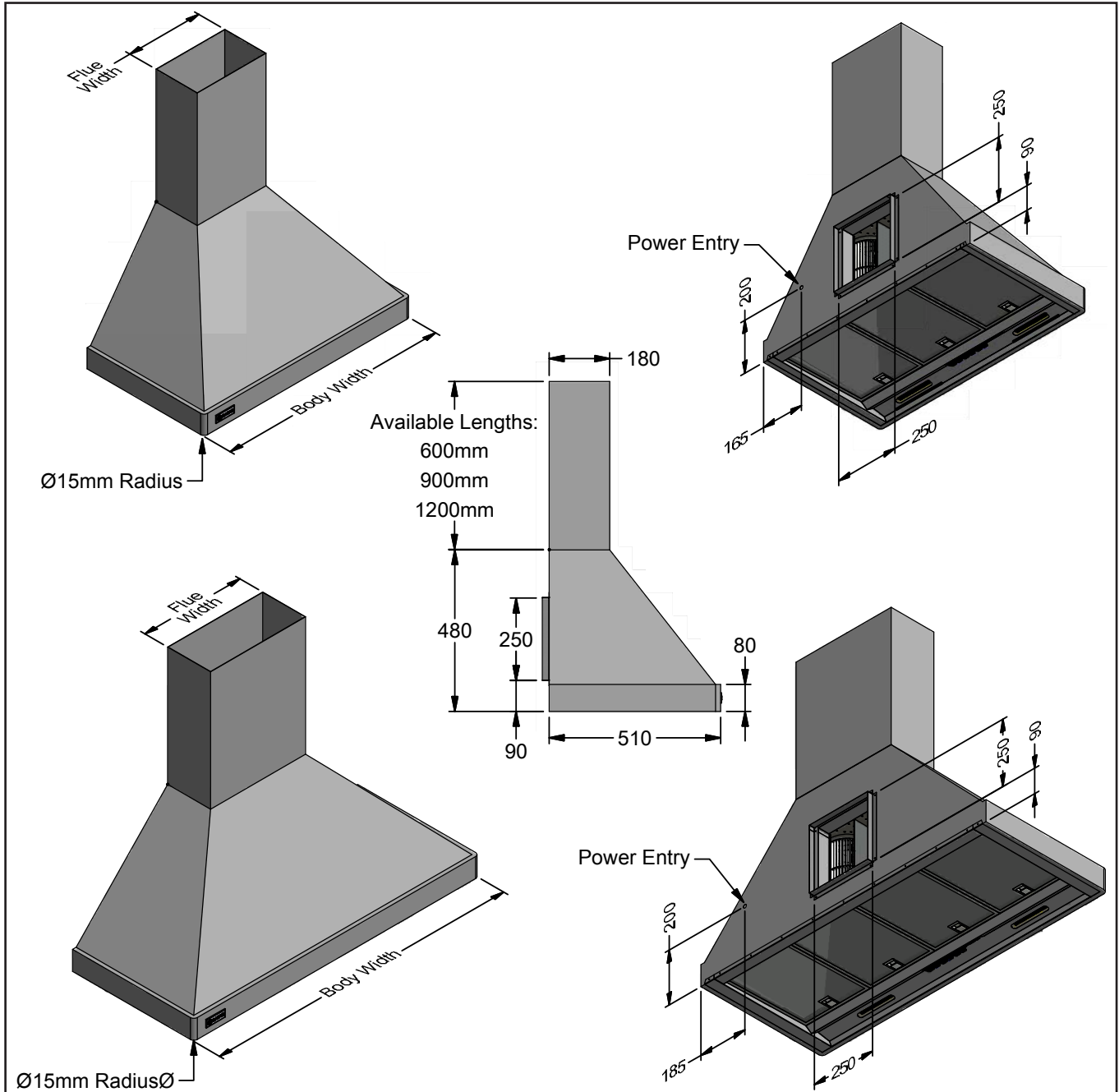
*Installation must be carried out by the procedure outlined.
Failure to do so may void the guarantee.*

Electrical: *Wiring to the appliance must comply with State and local Regulations.
Connection to be carried out by a registered electrician.*



1. Prepare wall by marking level line at desired height above cooktop.
2. Plumb line from centre of cooktop to ceiling and mark flue cut out.
3. Mark level line for base of canopy 700-800mm above bench 750mm desirable.
4. Position mounting bracket on wall and fix with four screws.
5. Cut a neat hole through the ceiling and remove any obstructing timbers.
6. Note: Various offsets are available from your QASAIR dealer to duct around any major structural beams which cannot be removed. Ask your QASAIR dealer for advice.
7. In the case of back ducted models, cut a hole in the wall at the desired height.
8. Locate solid fixing point in wall to support hood. If there is no solid fixing point it will have to be placed in the wall before proceeding. QASAIR recommend at least four (4) fixing points.
9. Drill holes in back of unit at suitable fixing points.
10. Drill 20mm hole in the rear of unit for 240 volt power cable as close as possible to junction box or use hole below the junction box.
11. Attach flue (if applicable), then carefully lift into position on level line. Ensure flue is pushed into position and electrical cable is fed into rear of unit.
12. Duct in approved manner to outside atmosphere.

3 FLARE - 3F

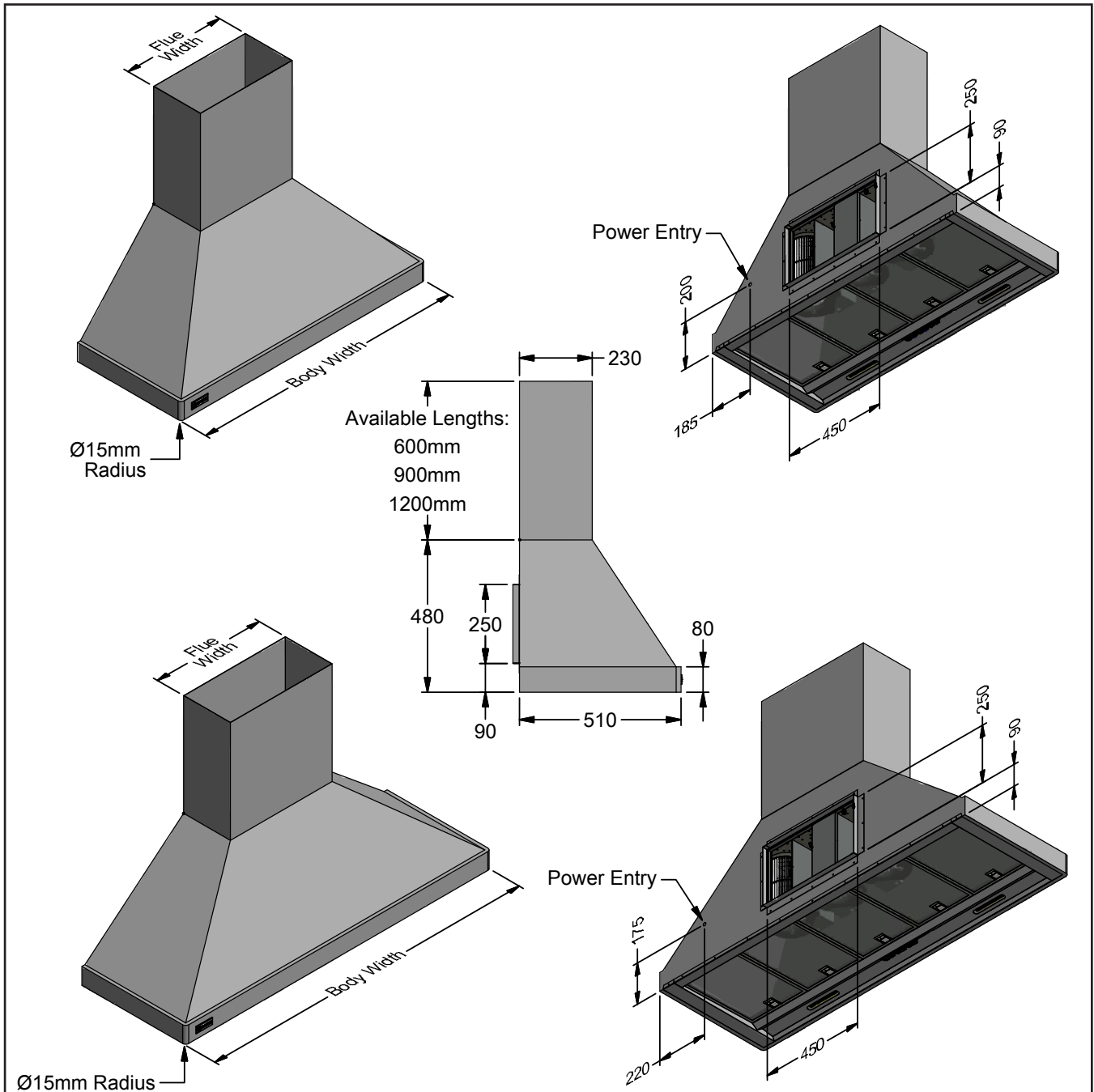


A Transition is supplied to suit standard DL2 ducting.

Flues made to order for back ducted models.

Model	3F 900L-2	3F 1200L-2	Model	3F 900L-2	3F 1200L-2
Body Width	900mm	1200mm	Filter Size	272mm x 355mm	272mm x 355mm
Motor Box / Flue Width	300mm	400mm	Conversion Top/Back Back/Top	NO	NO
Motor Qty	2	2	Electrical Connection	Junction Box	Junction Box
LED Light	Cool	Cool	Minimum Height (H =)	480mm	480mm
Nightlight	YES	YES	Maximum Height (H =)	1680mm	1680mm
Light Qty	2	2	PowderKote [®] Available	YES	YES
Light Centres	510mm	648mm	All-thread Fixing Centres	N/A	N/A
Filter Qty	3	4	Corner Type	Round	Round
			Condari Pty Ltd.	Version: C 20/01/2015F Page 1 of 2	

3 FLARE - 3F

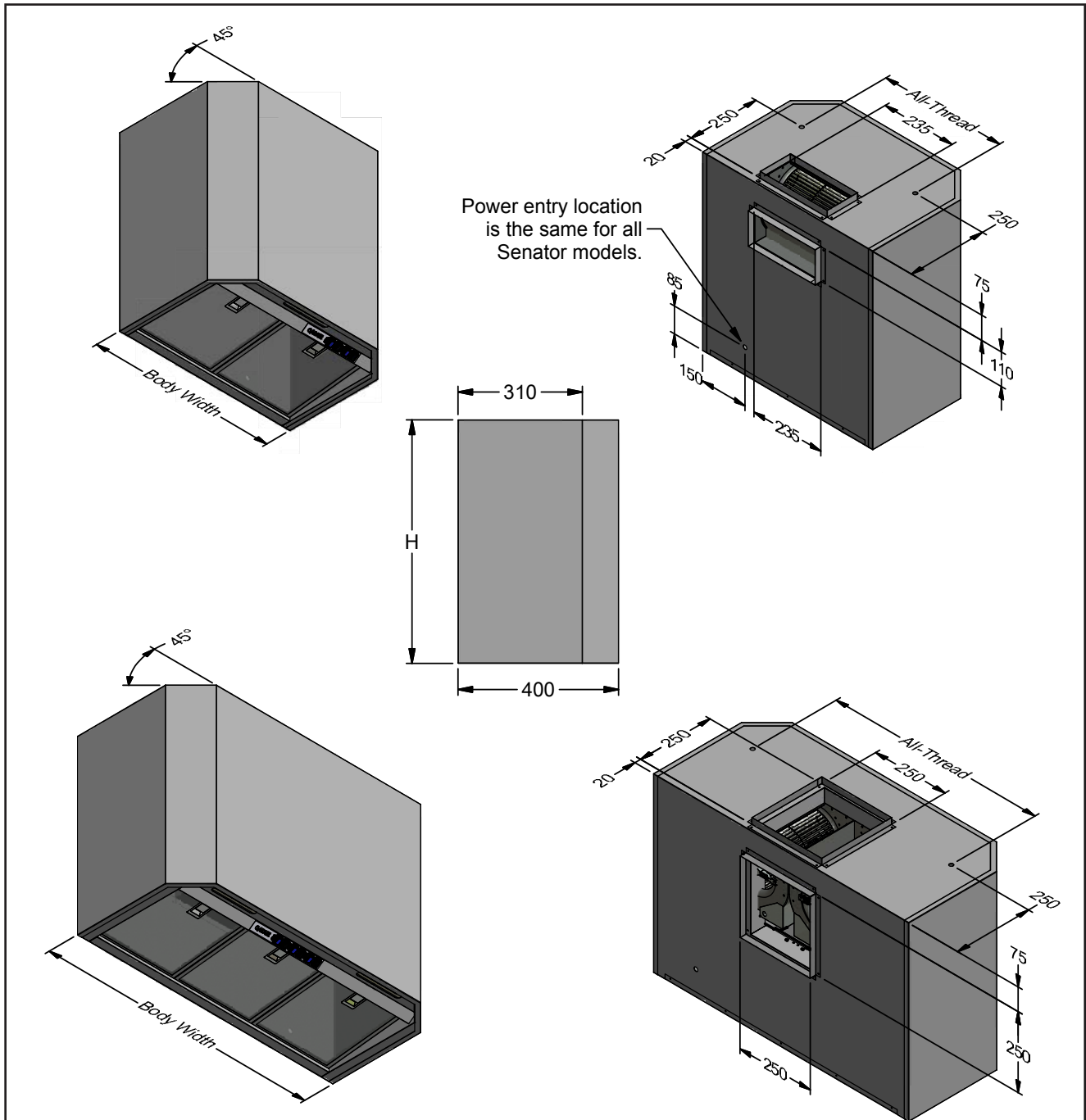


A Transition is supplied to suit standard DL3 ducting.

Flues made to order for back ducted models

Model	3F 1200L-3	3F 1500L-3	Model	3F 1200L-3	3F 1500L-3
Body Width	1200mm	1500mm	Filter Size	272mm x 355mm	272mm x 355mm
Motor Box / Flue Width	450mm	500mm	Conversion Top/Back Back/Top	NO	NO
Motor Qty	3	3	Electrical Connection	Junction Box	Junction Box
LED Light	Cool	Cool	Minimum Height (H =)	480mm	480mm
Nightlight	YES	YES	Maximum Height (H =)	1680mm	1680mm
Light Qty	2	2	PowderKote® Available	YES	YES
Light Centres	648mm	816mm	All-thread Fixing Centres	N/A	N/A
Filter Qty	4	5	Corner Type	Round	Round
			Condari Pty Ltd.	Version: C 20/01/2015F Page 2 of 2	

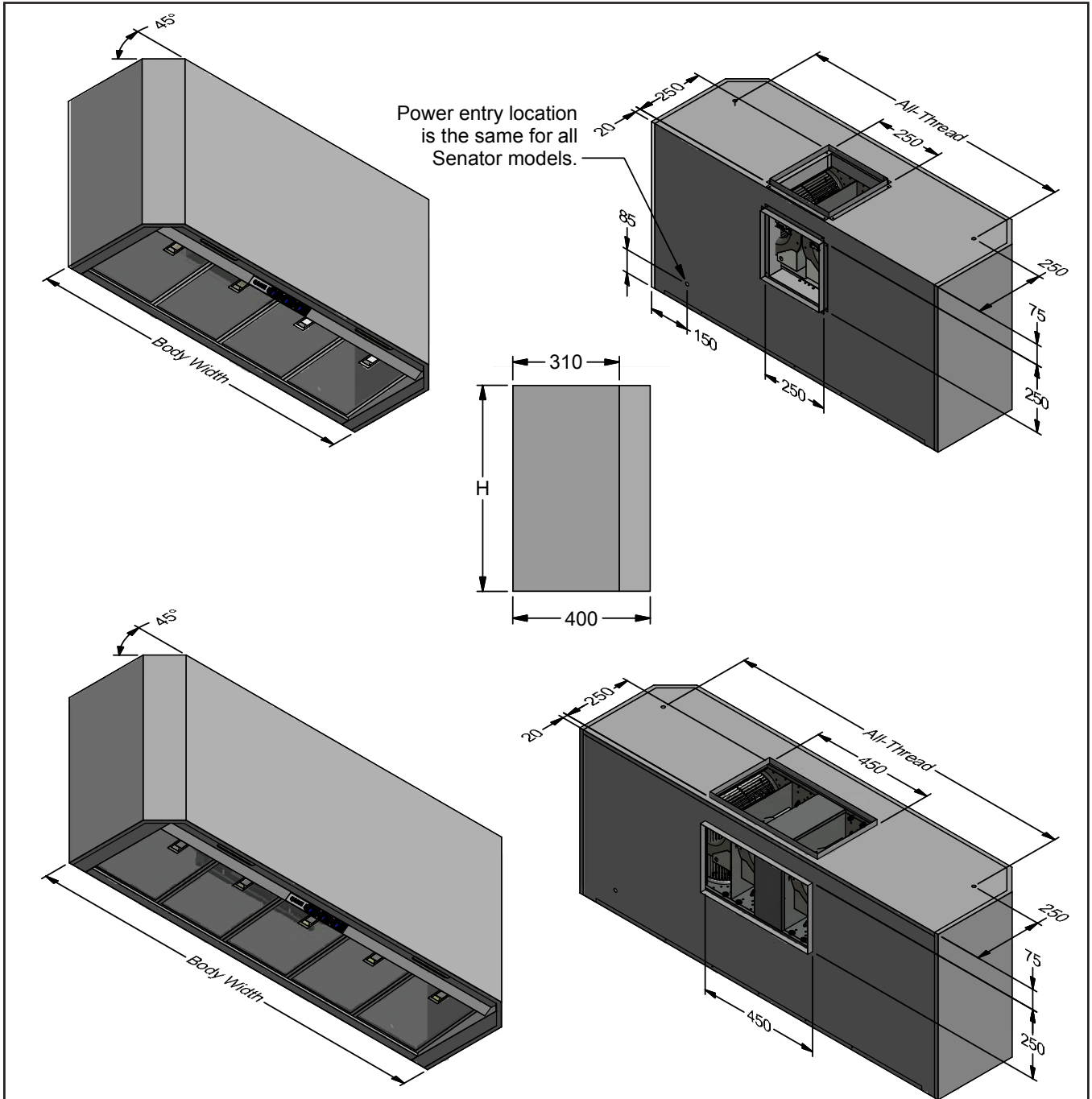
SENATOR - SEA



All-Thread rods are supplied for extra support.

Model	SEA 600L-1	SEA 900L-1	SEA 900L-2	Model	SEA 600L-1	SEA 900L-1	SEA 900L-2
Body Width	600mm	900mm	900mm	Filter Size	272mm x 272mm	272mm x 272mm	272mm x 272mm
Motor Box / Flue Width	N/A	N/A	N/A	Conversion Top/Back Back/Top	NO	NO	NO
Motor Qty	1	1	2	Electrical Connection	Junction Box	Junction Box	Junction Box
LED Light	Cool	Cool	Cool	Minimum Height (H =)	400mm	400mm	400mm
Nightlight	YES	YES	YES	Maximum Height (H =)	1450mm	1450mm	1450mm
Light Qty	1	2	2	PowderKote® Available	YES	YES	YES
Light Centres	Centre	510mm	510mm	All-thread Fixing Centres	400mm	700mm	700mm
Filter Qty	2	3	3	Corner Type	Square	Square	Square
				Condari Pty Ltd.	Version: C 20/01/2015F	Page 1 of 2	

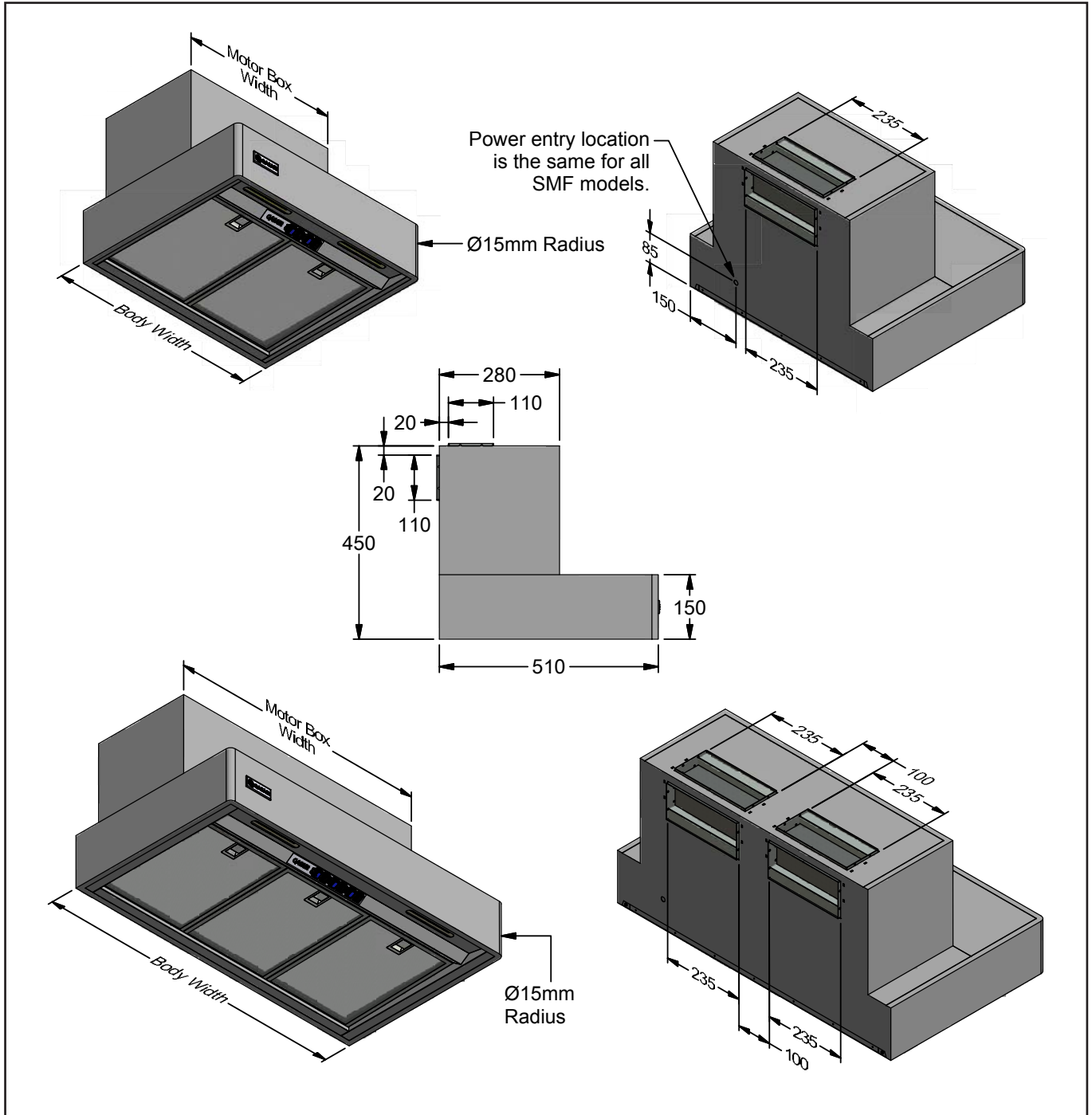
SENATOR - SEA



All-Thread rods are supplied for extra support.

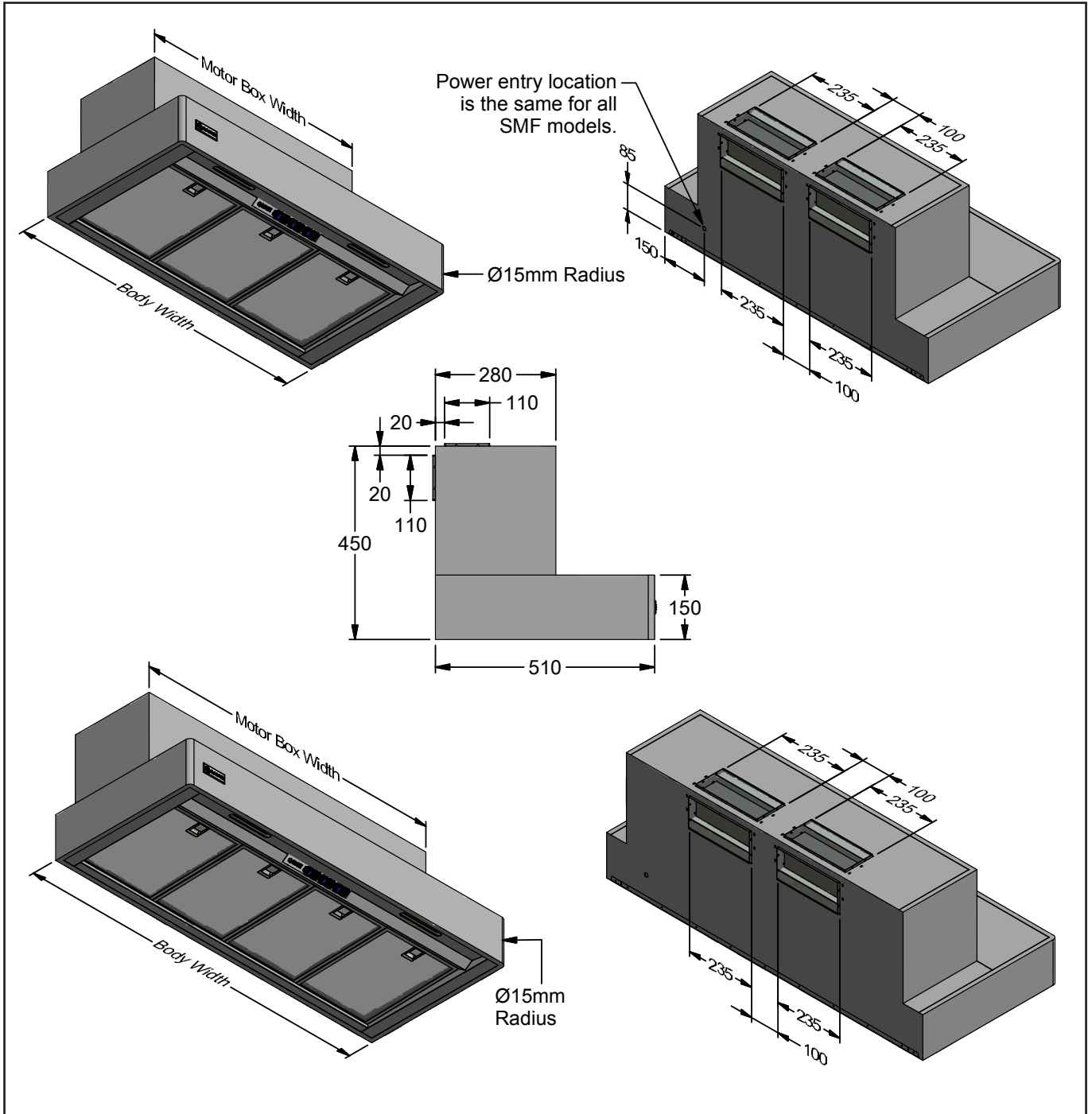
Model	SEA 1200L-2	SEA 1500L-2	SEA 1500L-3	Model	SEA 1200L-2	SEA 1500L-2	SEA 1500L-3
Body Width	1200mm	1500mm	1500mm	Filter Size	272mm x 272mm	272mm x 272mm	272mm x 272mm
Motor Box / Flue Width	N/A	N/A	N/A	Conversion Top/Back Back/Top	NO	NO	NO
Motor Qty	2	2	3	Electrical Connection	Junction Box	Junction Box	Junction Box
LED Light	Cool	Cool	Cool	Minimum Height (H =)	400mm	400mm	400mm
Nightlight	YES	YES	YES	Maximum Height (H =)	1450mm	1450mm	1450mm
Light Qty	2	2	2	PowderKote® Available	YES	YES	YES
Light Centres	648mm	816mm	816mm	All-thread Fixing Centres	1000mm	1300mm	1300mm
Filter Qty	4	5	5	Corner Type	Square	Square	Square
				Condari Pty Ltd.	Version: C 20/01/2015F	Page 2 of 2	

MAITLAND - SMF



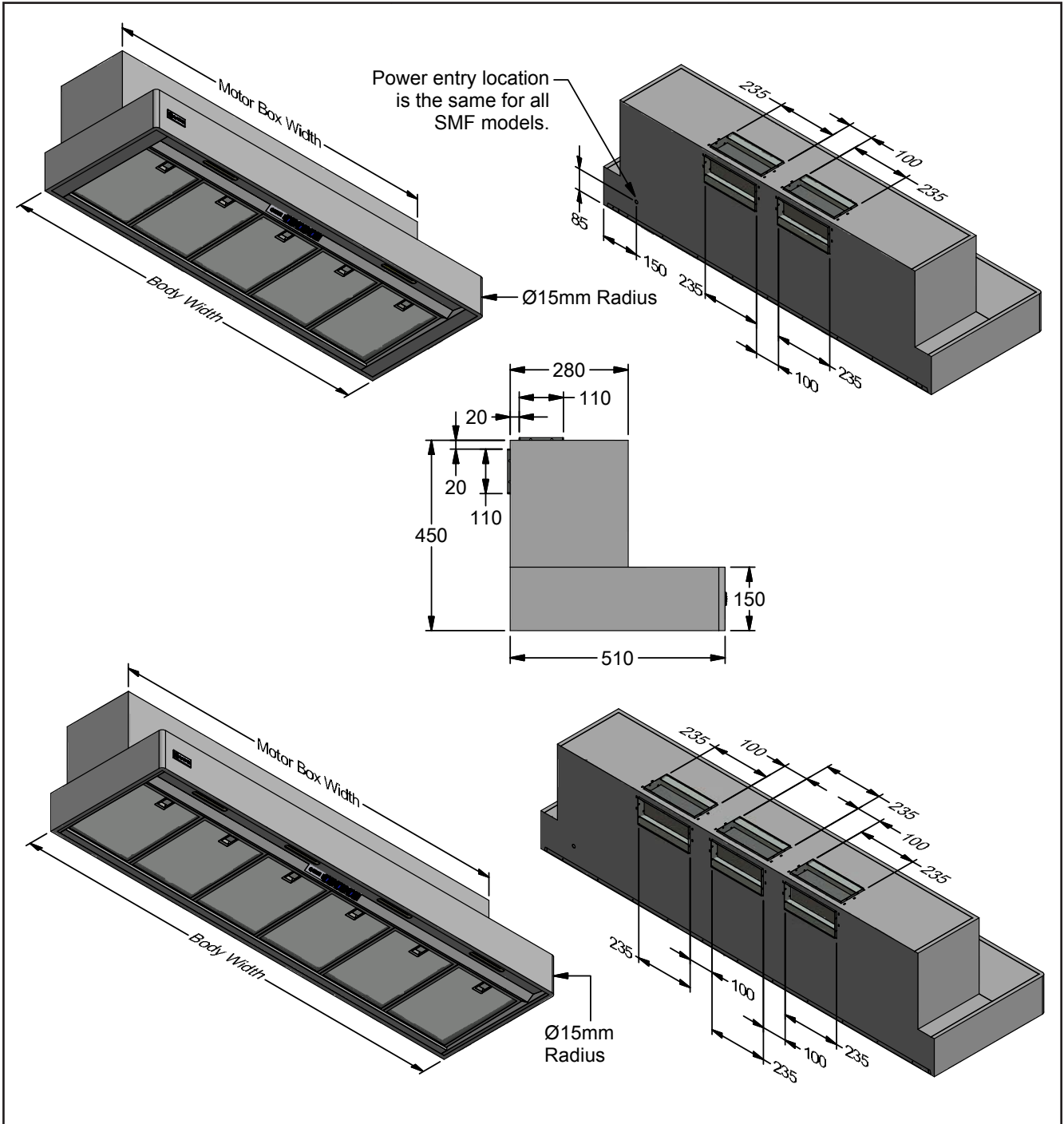
Model	SMF 600L-1	SMF 900L-1	SMF 900L-2	Model	SMF 600L-1	SMF 900L-1	SMF 900L-2
Body Width	600mm	900mm	900mm	Filter Size	272mm x 355mm	272mm x 355mm	272mm x 355mm
Motor Box / Flue Width	450mm	750mm	750mm	Conversion Top/Back Back/Top	YES	YES	YES
Motor Qty	1	1	2	Electrical Connection	Junction Box	Junction Box	Junction Box
LED Light	Cool	Cool	Cool	Minimum Height (H =)	N/A	N/A	N/A
Nightlight	YES	YES	YES	Maximum Height (H =)	N/A	N/A	N/A
Light Qty	2	2	2	PowderKote ® Available	YES	YES	YES
Light Centres	310mm	510mm	510mm	All-thread Fixing Centres	N/A	N/A	N/A
Filter Qty	2	3	3	Corner Type	Round	Round	Round
				Condari Pty Ltd.	Version: C 20/01/2015F		Page 1 of 4

MAITLAND - SMF



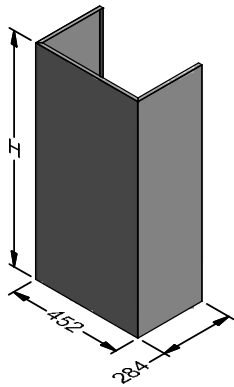
Model	SMF 1000L-2	SMF 1200L-2	Model	SMF 1000L-2	SMF 1200L-2
Body Width	1000mm	1200mm	Filter Size	290mm x 355mm	272mm x 355mm
Motor Box / Flue Width	850mm	1050mm	Conversion Top/Back Back/Top	YES	YES
Motor Qty	2	2	Electrical Connection	Junction Box	Junction Box
LED Light	Cool	Cool	Minimum Height (H =)	N/A	N/A
Nightlight	YES	YES	Maximum Height (H =)	N/A	N/A
Light Qty	2	2	PowderKote® Available	YES	YES
Light Centres	510mm	648mm	All-thread Fixing Centres	N/A	N/A
Filter Qty	3	4	Corner Type	Round	Round
			Condari Pty Ltd.	Version: C 20/01/2015F Page 2 of 4	

MAITLAND - SMF

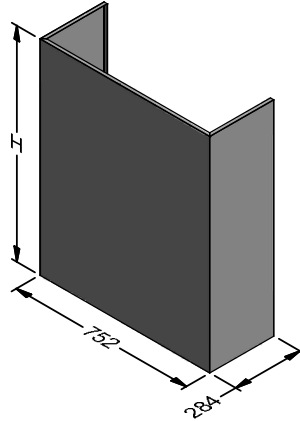


Model	SMF 1500L-2	SMF 1500L-3	SMF 1800L-3	Model	SMF 1500L-2	SMF 1500L-3	SMF 1800L-3
Body Width	1500mm	1500mm	1800mm	Filter Size	272mm x 355mm	272mm x 355mm	290mm x 355mm
Motor Box / Flue Width	1350mm	1350mm	1650mm	Conversion Top/Back Back/Top	YES	YES	YES
Motor Qty	2	3	3	Electrical Connection	Junction Box	Junction Box	Junction Box
LED Light	Cool	Cool	Cool	Minimum Height (H =)	N/A	N/A	N/A
Nightlight	YES	YES	YES	Maximum Height (H =)	N/A	N/A	N/A
Light Qty	2	2	4	PowderKote® Available	YES	YES	YES
Light Centres	816mm	816mm	422mm	All-thread Fixing Centres	N/A	N/A	N/A
Filter Qty	5	5	6	Corner Type	Round	Round	Round
				Condari Pty Ltd.	Version: C 20/01/2015F		Page 3 of 4

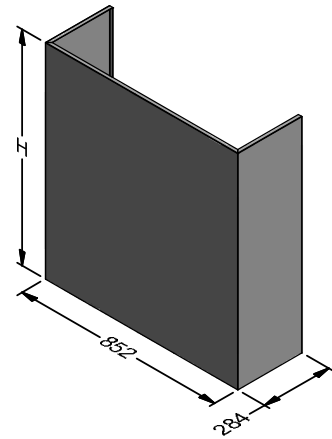
MAITLAND - SMF



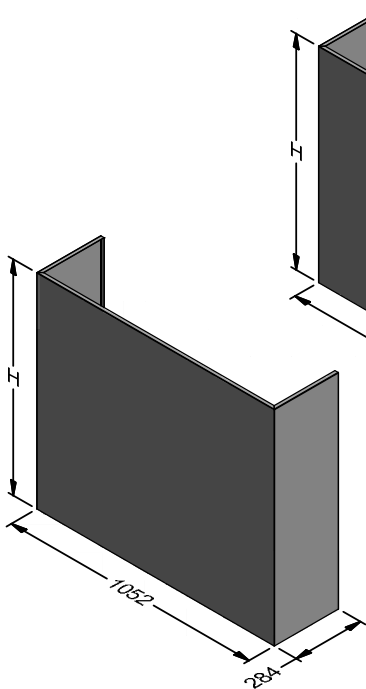
SMF 600L-1 SHROUD



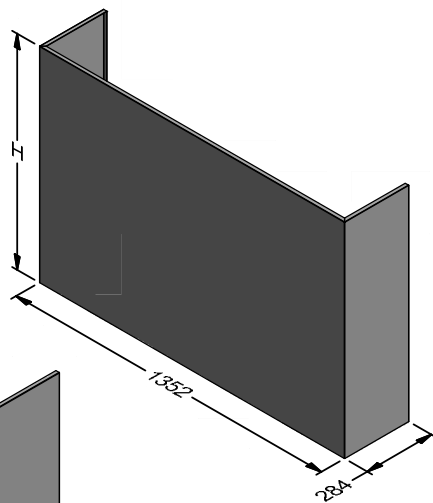
SMF 900L-1 SHROUD
SMF 900L-2 SHROUD



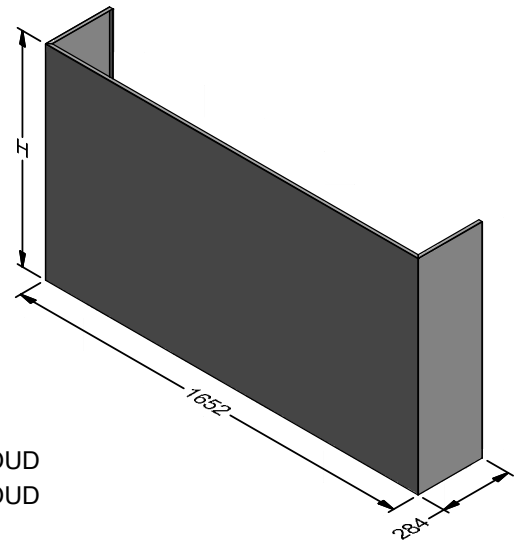
SMF 1000L-2 SHROUD



SMF 1200L-2 SHROUD



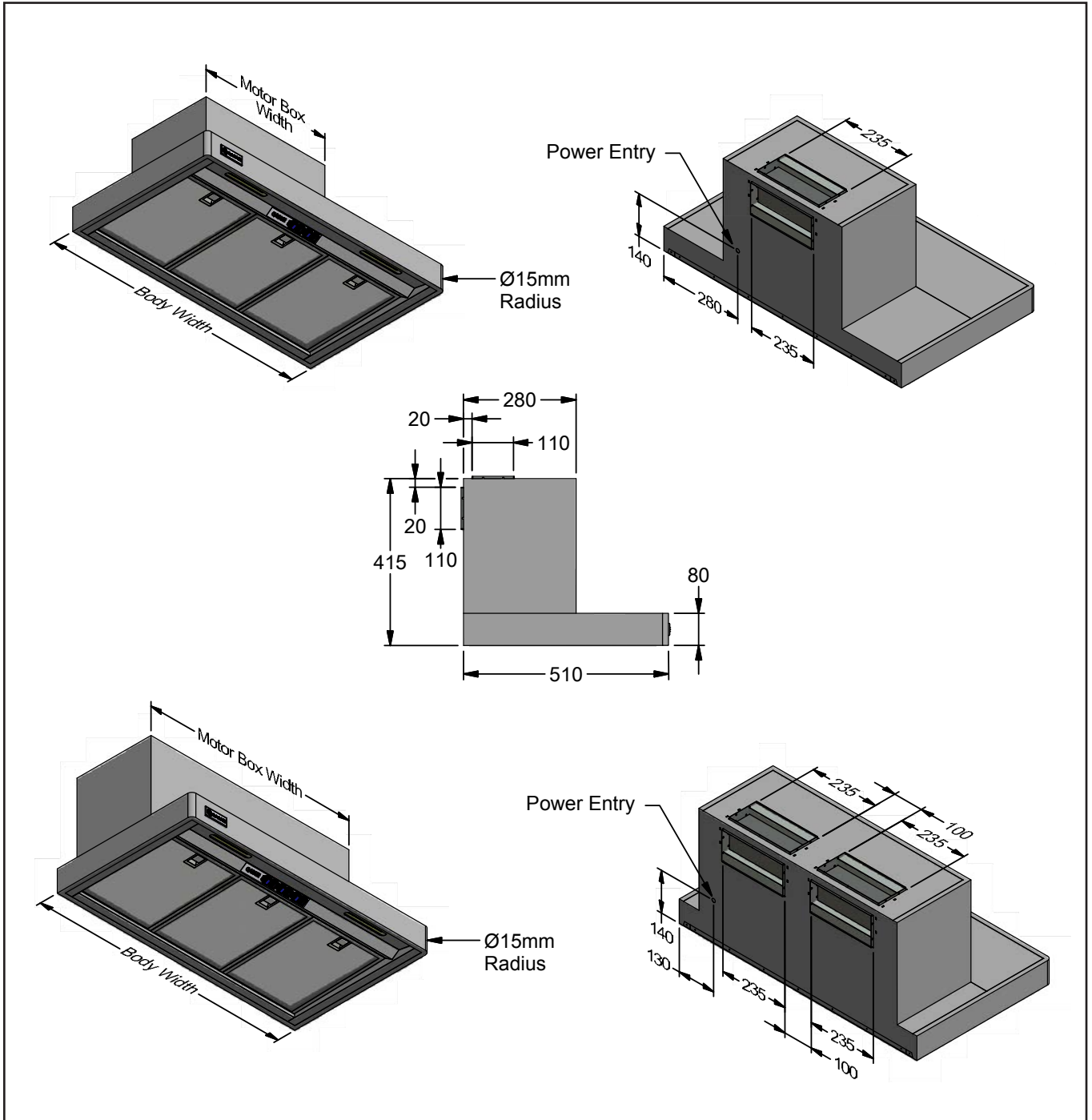
SMF 1500L-2 SHROUD
SMF 1500L-3 SHROUD



SMF 1800L-3 SHROUD

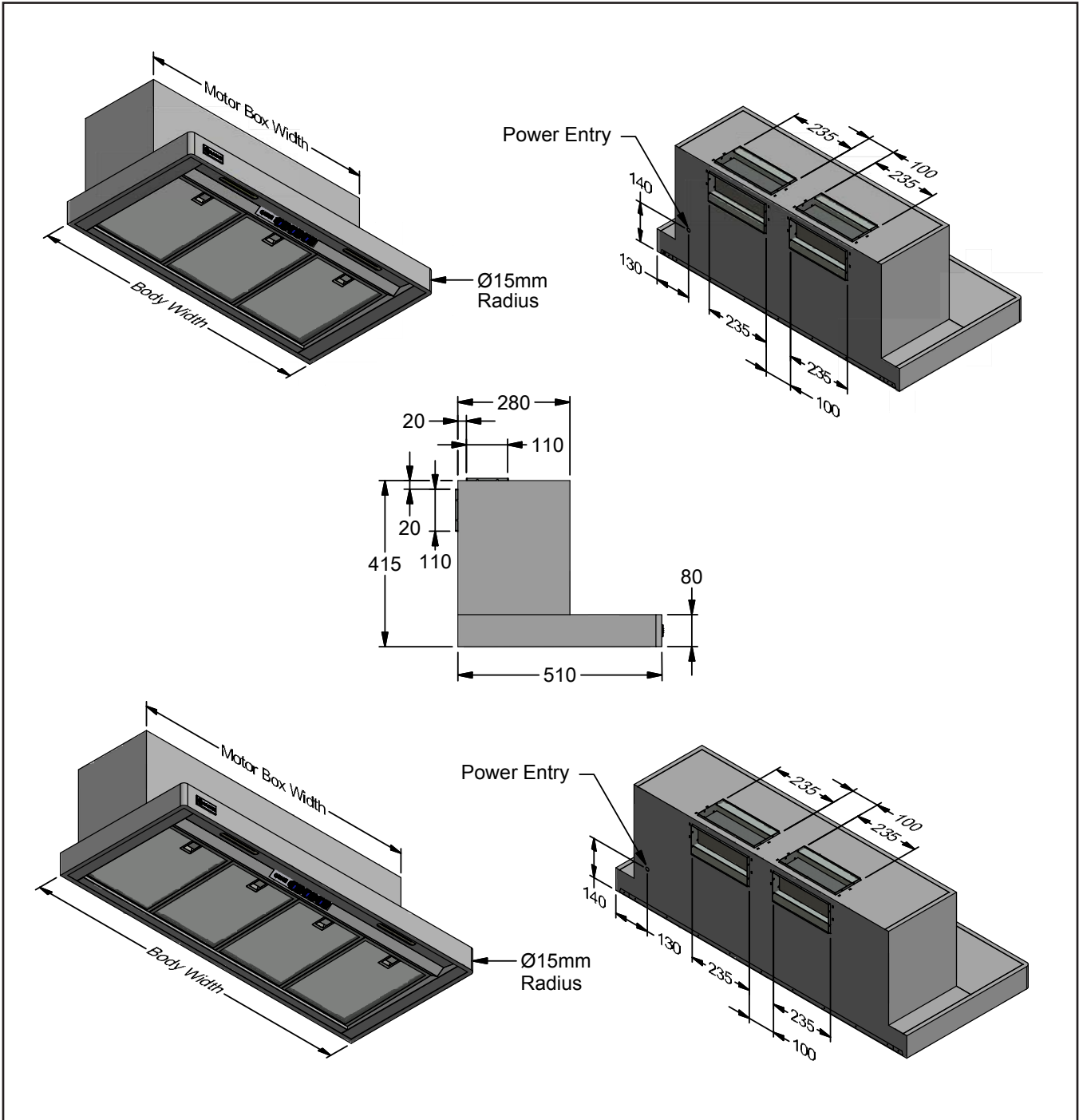
Model	SMF 600L-1 SHROUD	SMF 900L-1 SHROUD	SMF 900L-2 SHROUD	SMF 1000L-2 SHROUD	SMF 1200L-2 SHROUD	SMF 1500L-2 SHROUD	SMF 1500L-3 SHROUD	SMF 1800L-3 SHROUD
Minimum Height (H =)	300mm	300mm	300mm	300mm	300mm	300mm	300mm	300mm
Maximum Height (H =)	1450mm	1450mm	1450mm	1450mm	1450mm	1450mm	1450mm	1450mm
Powderkote® Available	YES	YES	YES	YES	YES	YES	YES	YES
				Condari Pty Ltd. Version: C 20/01/2015F Page 4 of 4				

COMPACT - CM



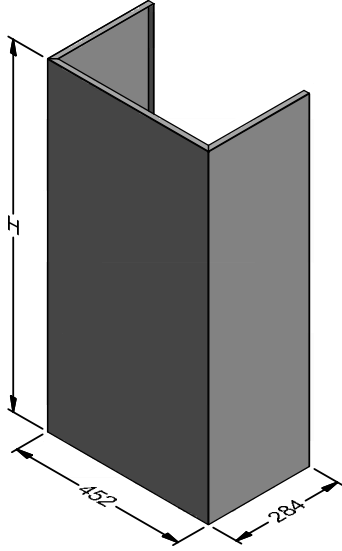
Model	CM 900L-1	CM 900L-2	Model	CM 900L-1	CM 900L-2
Body Width	900mm	900mm	Filter Size	272mm x 355mm	272mm x 355mm
Motor Box / Flue Width	450mm	750mm	Conversion Top/Back Back/Top	YES	YES
Motor Qty	1	2	Electrical Connection	Junction Box	Junction Box
LED Light	Cool	Cool	Minimum Height (H =)	N/A	N/A
Nightlight	YES	YES	Maximum Height (H =)	N/A	N/A
Light Qty	2	2	PowderKote [®] Available	YES	YES
Light Centres	510mm	510mm	All-thread Fixing Centres	N/A	N/A
Filter Qty	3	3	Corner Type	Round	Round
			Condari Pty Ltd.	Version: C 20/01/2015F Page 1 of 3	

COMPACT - CM

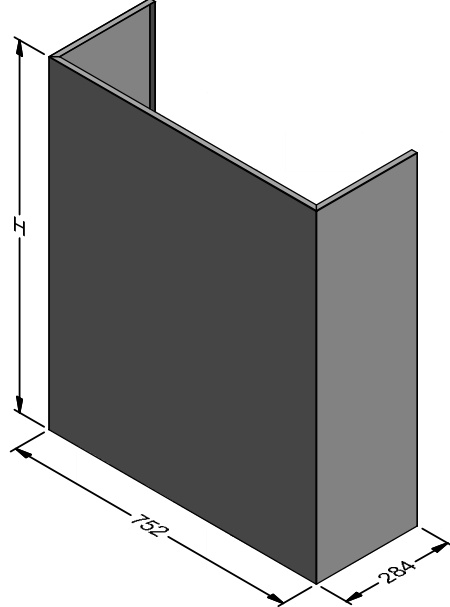


Model	CM 1000L-2	CM 1200L-2	Model	CM 1000L-2	CM 1200L-2
Body Width	1000mm	1200mm	Filter Size	290mm x 355mm	272mm x 355mm
Motor Box / Flue Width	850mm	1050mm	Conversion Top/Back Back/Top	YES	YES
Motor Qty	2	2	Electrical Connection	Junction Box	Junction Box
LED Light	Cool	Cool	Minimum Height (H =)	N/A	N/A
Nightlight	YES	YES	Maximum Height (H =)	N/A	N/A
Light Qty	2	2	PowderKote® Available	YES	YES
Light Centres	510mm	648mm	All-thread Fixing Centres	N/A	N/A
Filter Qty	3	4	Corner Type	Round	Round
			Condari Pty Ltd.	Version: C 20/01/2015F Page 2 of 3	

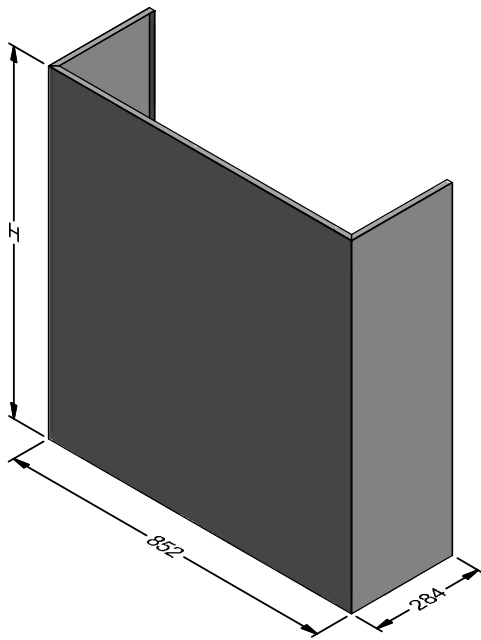
COMPACT - CM



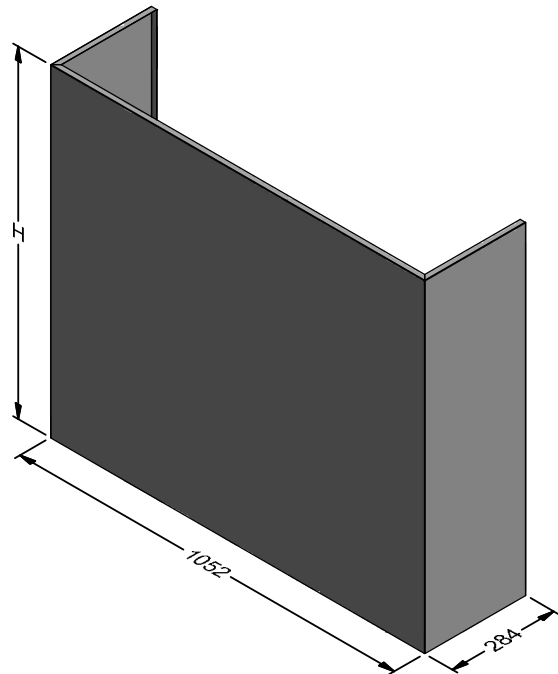
CM 900L-1 SHROUD



CM 900L-2 SHROUD



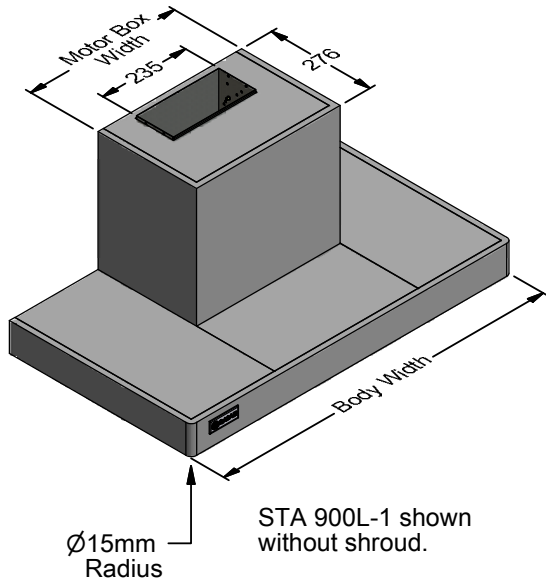
CM 1000L-2 SHROUD



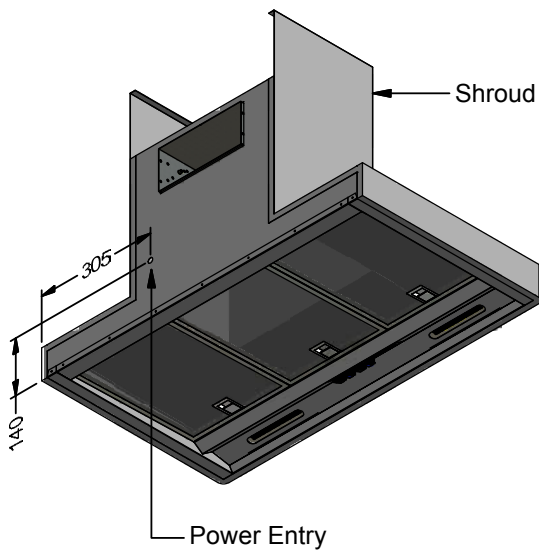
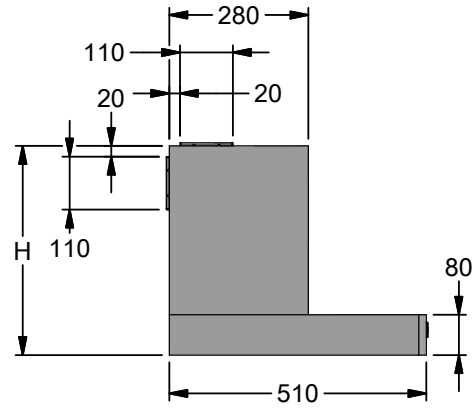
CM 1200L-2 SHROUD

Model	CM 900L-1 SHROUD	CM 900L-2 SHROUD	CM 1000L-2 SHROUD	CM 1200L-2 SHROUD
Minimum Height (H =)	335mm	335mm	335mm	335mm
Maximum Height (H =)	1450mm	1450mm	1450mm	1450mm
Powderkote® Available	YES	YES	YES	YES

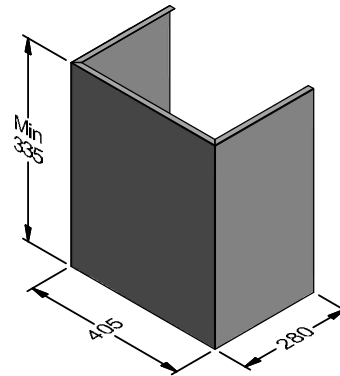
STATESMAN - STA



STA 900L-1 shown without shroud.

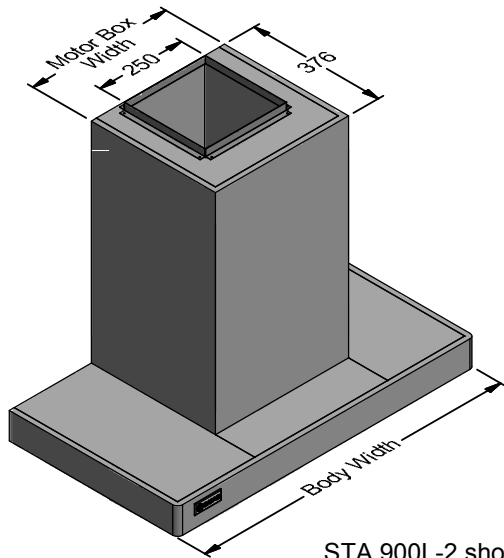


Shroud

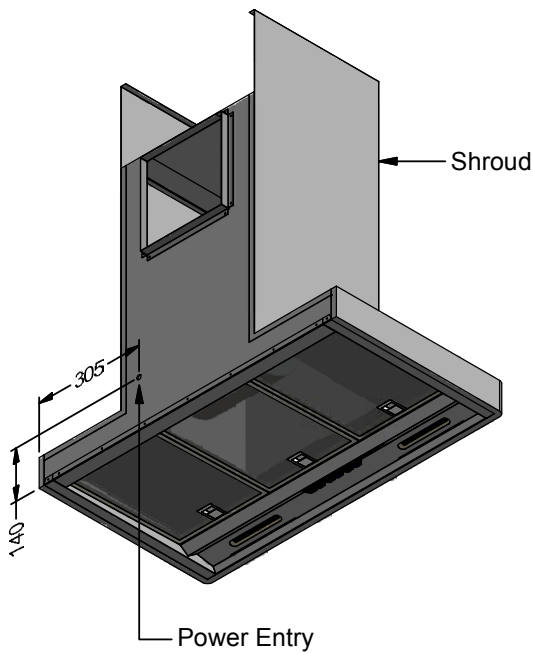
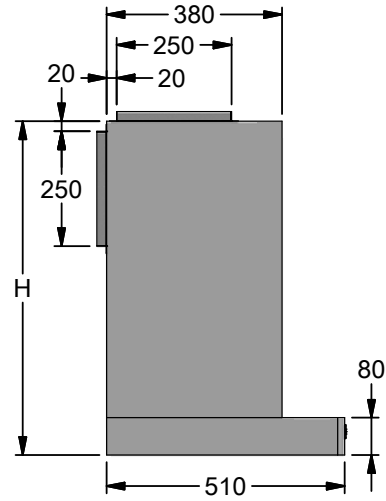


Model	STA 900L-1	Model	STA 900L-1
Body Width	900mm	Filter Size	272mm x 355mm
Motor Box / Flue Width	403mm	Conversion Top/Back Back/Top	YES
Motor Qty	1	Electrical Connection	Junction Box
LED Light	Cool	Minimum Height (H =)	415mm
Nightlight	YES	Maximum Height (H =)	1550mm
Light Qty	2	PowderKote® Available	YES
Light Centres	510mm	All-thread Fixing Centres	N/A
Filter Qty	3	Corner Type	Round
		Condari Pty Ltd.	Version: E 29/06/2016F Page 1 of 3

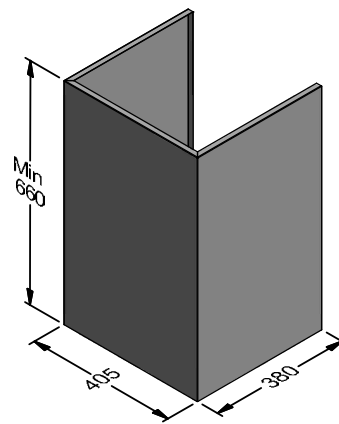
STATESMAN - STA



STA 900L-2 shown without shroud.



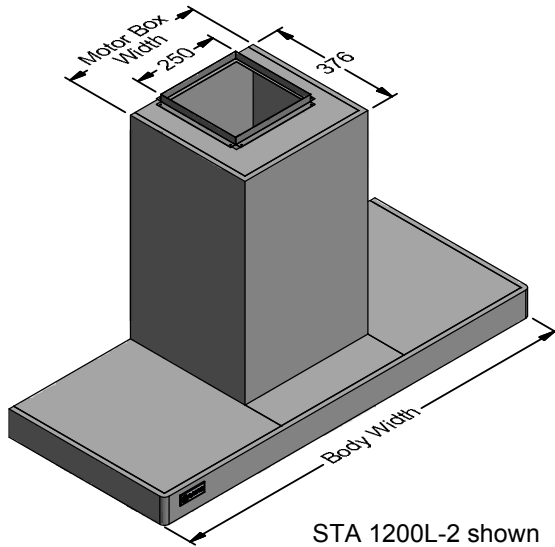
Shroud



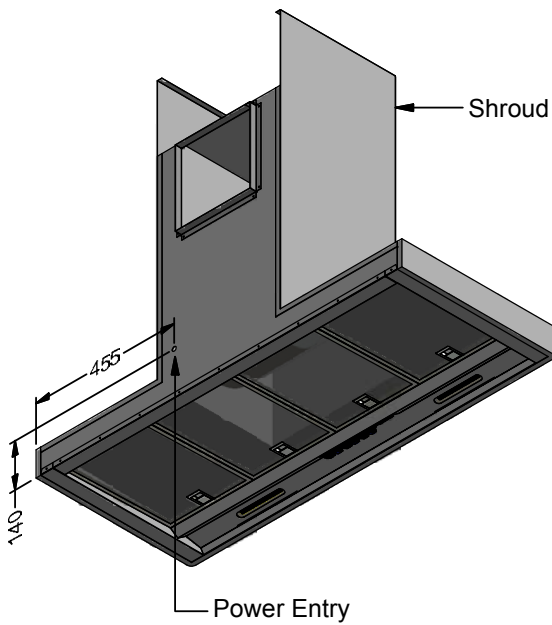
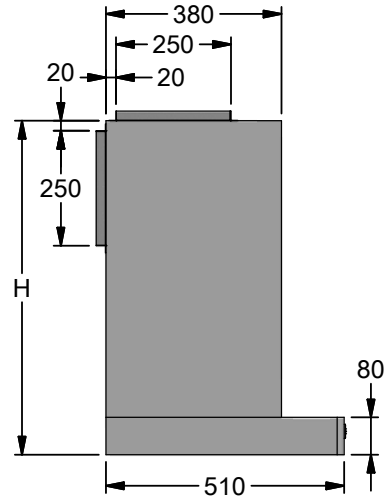
Rangehood is manufactured as top duct only. A conversion kit for back ducted is supplied.

Model	STA 900L-2	Model	STA 900L-2
Body Width	900mm	Filter Size	272mm x 355mm
Motor Box / Flue Width	403mm	Conversion Top/Back Back/Top	YES
Motor Qty	2	Electrical Connection	Junction Box
LED Light	Cool	Minimum Height (H =)	740mm
Nightlight	YES	Maximum Height (H =)	1550mm
Light Qty	2	PowderKote® Available	YES
Light Centres	510mm	All-thread Fixing Centres	N/A
Filter Qty	3	Corner Type	Round
		Condari Pty Ltd.	Version: E 29/06/2016F
		Page 2 of 3	

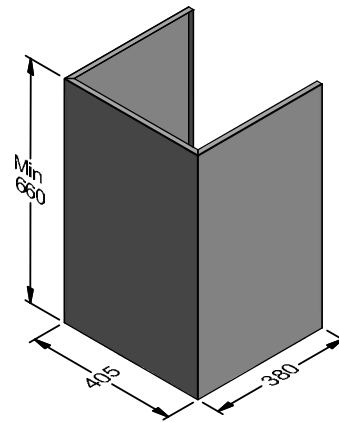
STATESMAN - STA



STA 1200L-2 shown without shroud.



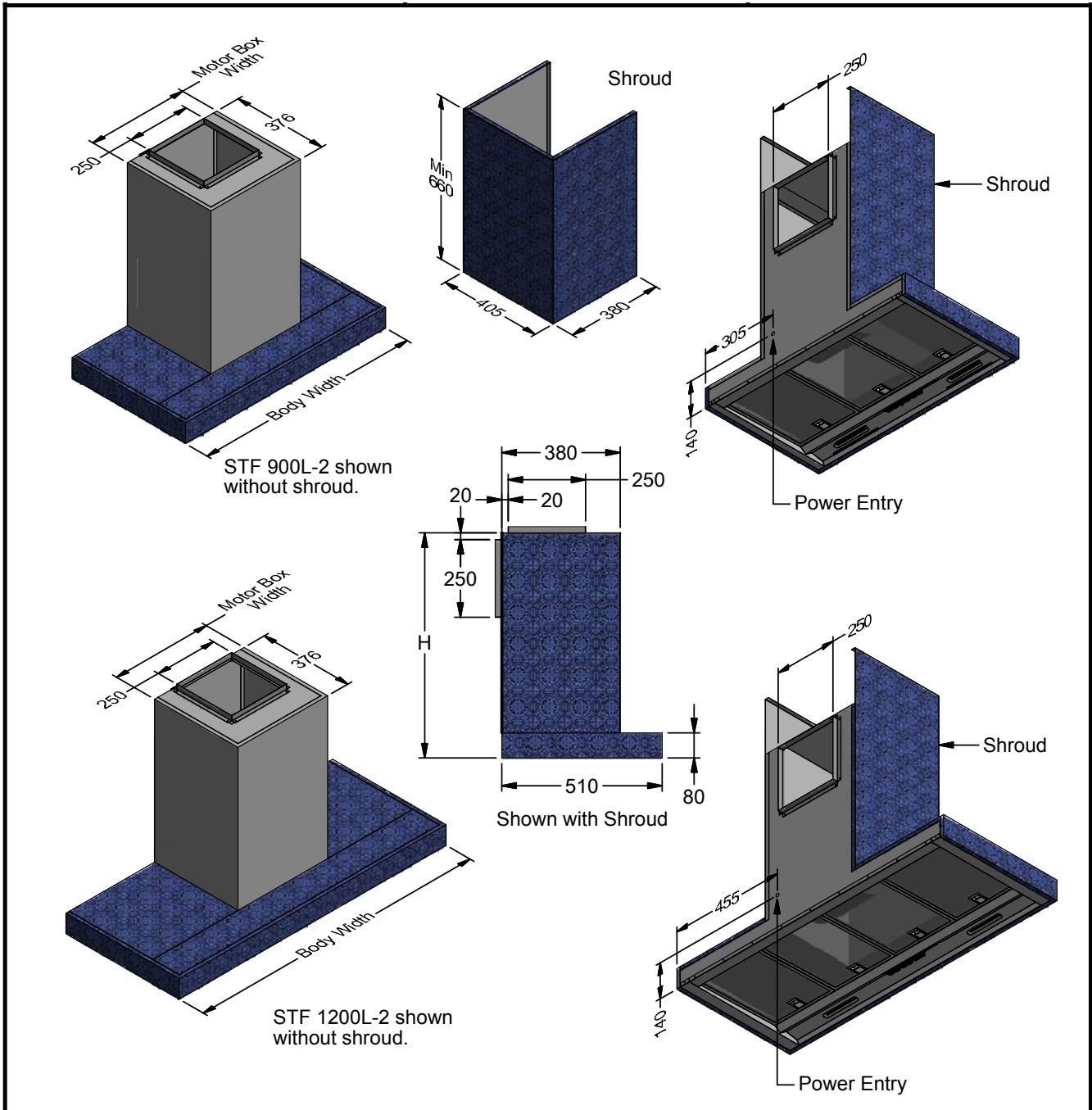
Shroud



Rangehood is manufactured as top duct only. A conversion kit for back ducted is supplied.

Model	STA 1200L-2	Model	STA 1200L-2
Body Width	1200mm	Filter Size	272mm x 355mm
Motor Box / Flue Width	403mm	Conversion Top/Back Back/Top	YES
Motor Qty	2	Electrical Connection	Junction Box
LED Light	Cool	Minimum Height (H =)	740mm
Nightlight	YES	Maximum Height (H =)	1550mm
Light Qty	2	PowderKote® Available	YES
Light Centres	648mm	All-thread Fixing Centres	N/A
Filter Qty	4	Corner Type	Round
		Condari Pty Ltd.	Version: E 29/06/2016F Page 3 of 3

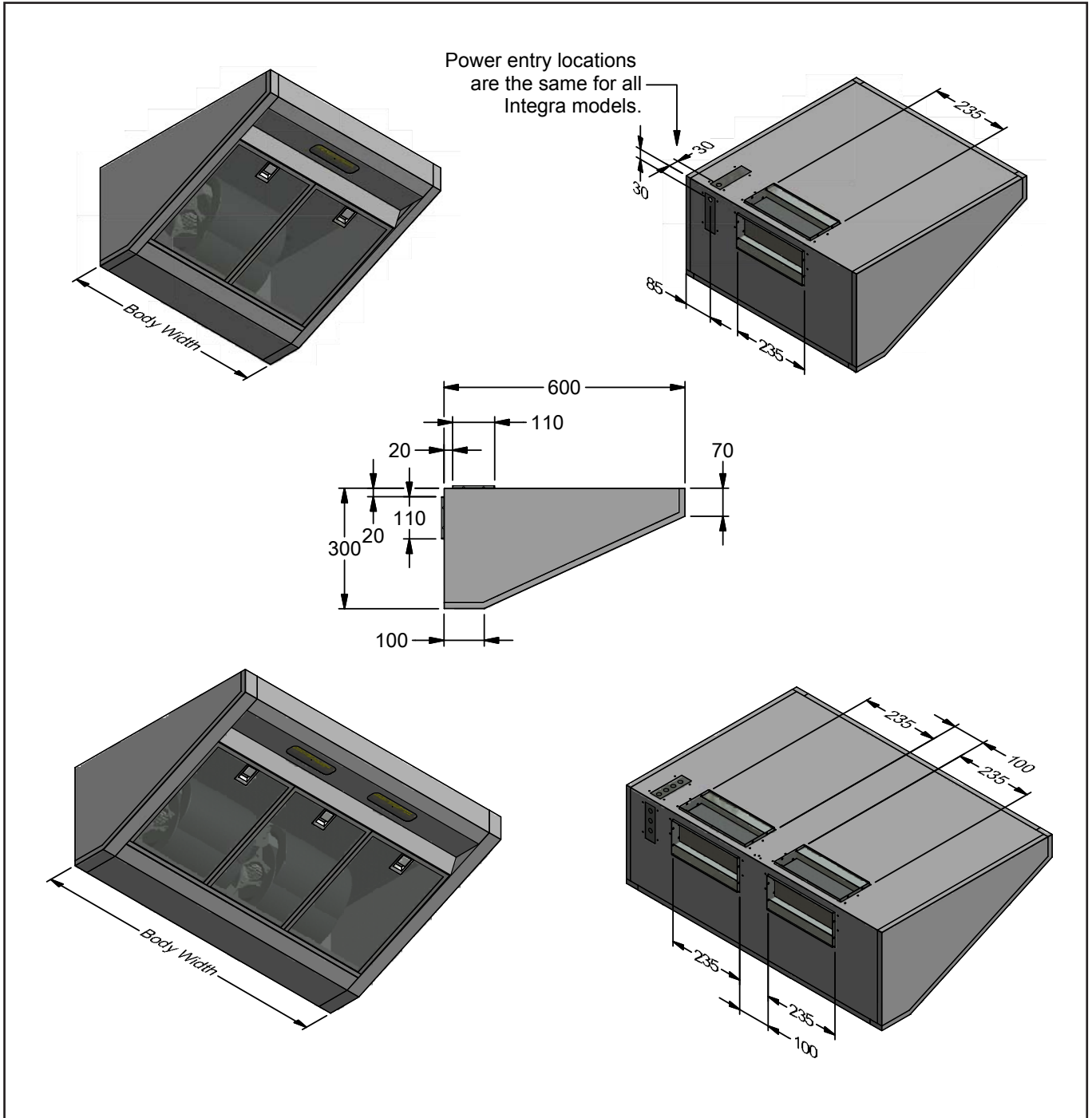
STAFFORD - STF



Rangehood is manufactured as top ducted only. A conversion kit for back ducted is supplied.

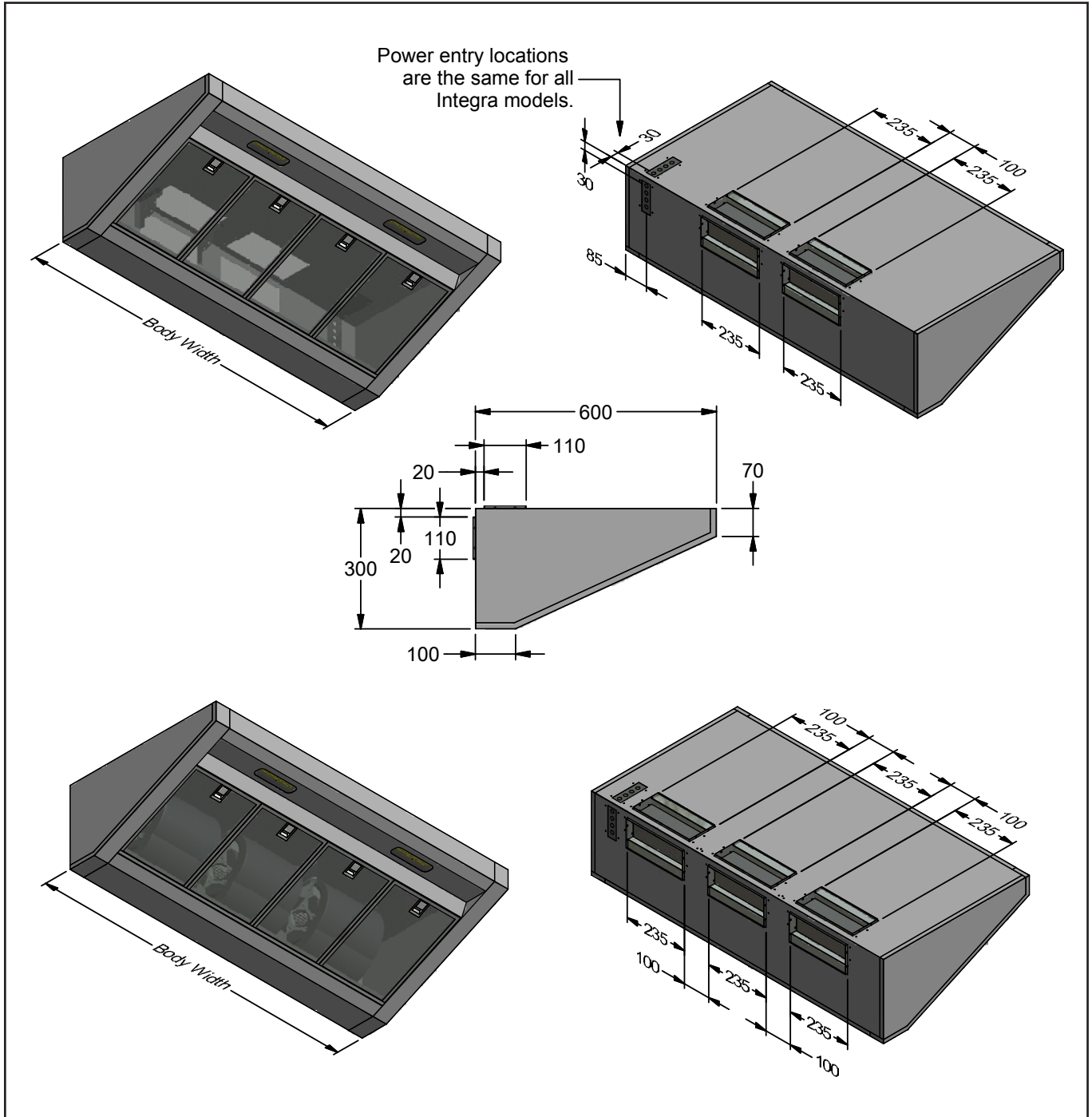
Model	STF 900L-2	STF 1200L-2	Model	STF 900L-2	STF 1200L-2
Body Width	900mm	1200mm	Filter Size	272mm x 355mm	272mm x 355mm
Motor Box / Flue Width	403mm	403mm	Conversion Top/Back Back/Top	YES	YES
Motor Qty	2	2	Electrical Connection	Junction Box	Junction Box
LED Light	Cool	Cool	Minimum Height (H =)	740mm	740mm
Nightlight	YES	YES	Maximum Height (H =)	1280mm	1280mm
Light Qty	2	2	PowderKote® Available	N/A	N/A
Light Centres	510mm	648mm	All-thread Fixing Centres	N/A	N/A
Filter Qty	3	4	Corner Type	Square	Square
			Condari Pty Ltd.	Version: C 20/01/2015F Page 1 of 1	

INTEGRA - IN



Model	IN 600L-1	IN 900L-2	Model	IN 600L-1	IN 900L-2
Body Width	600mm	900mm	Filter Size	272mm x 355mm	272mm x 355mm
Motor Box / Flue Width	N/A	N/A	Conversion Top/Back Back/Top	YES	YES
Motor Qty	1	2	Electrical Connection	Remote Switching	Remote Switching
LED Light	Cool	Cool	Minimum Height (H =)	N/A	N/A
Nightlight	NO	NO	Maximum Height (H =)	N/A	N/A
Light Qty	1	2	PowderKote [®] Available	N/A	N/A
Light Centres	Centre	285mm	All-thread Fixing Centres	N/A	N/A
Filter Qty	2	3	Corner Type	Square	Square
			Condari Pty Ltd.	Version: A 28/11/2014F Page 1 of 2	

INTEGRA - IN



Model	IN 1200L-2	IN 1200L-3	Model	IN 1200L-2	IN 1200L-3
Body Width	1200mm	1200mm	Filter Size	272mm x 355mm	272mm x 355mm
Motor Box / Flue Width	N/A	N/A	Conversion Top/Back Back/Top	YES	YES
Motor Qty	2	3	Electrical Connection	Remote Switching	Remote Switching
LED Light	Cool	Cool	Minimum Height (H =)	N/A	N/A
Nightlight	NO	NO	Maximum Height (H =)	N/A	N/A
Light Qty	2	2	PowderKote® Available	N/A	N/A
Light Centres	560mm	560mm	All-thread Fixing Centres	N/A	N/A
Filter Qty	4	4	Corner Type	Square	Square
			Condari Pty Ltd.	Version: A 28/11/2014F Page 2 of 2	

INSTALLATION INSTRUCTIONS

- BRH / LAM
- BAR
- MAR
- MAJ
- FAS

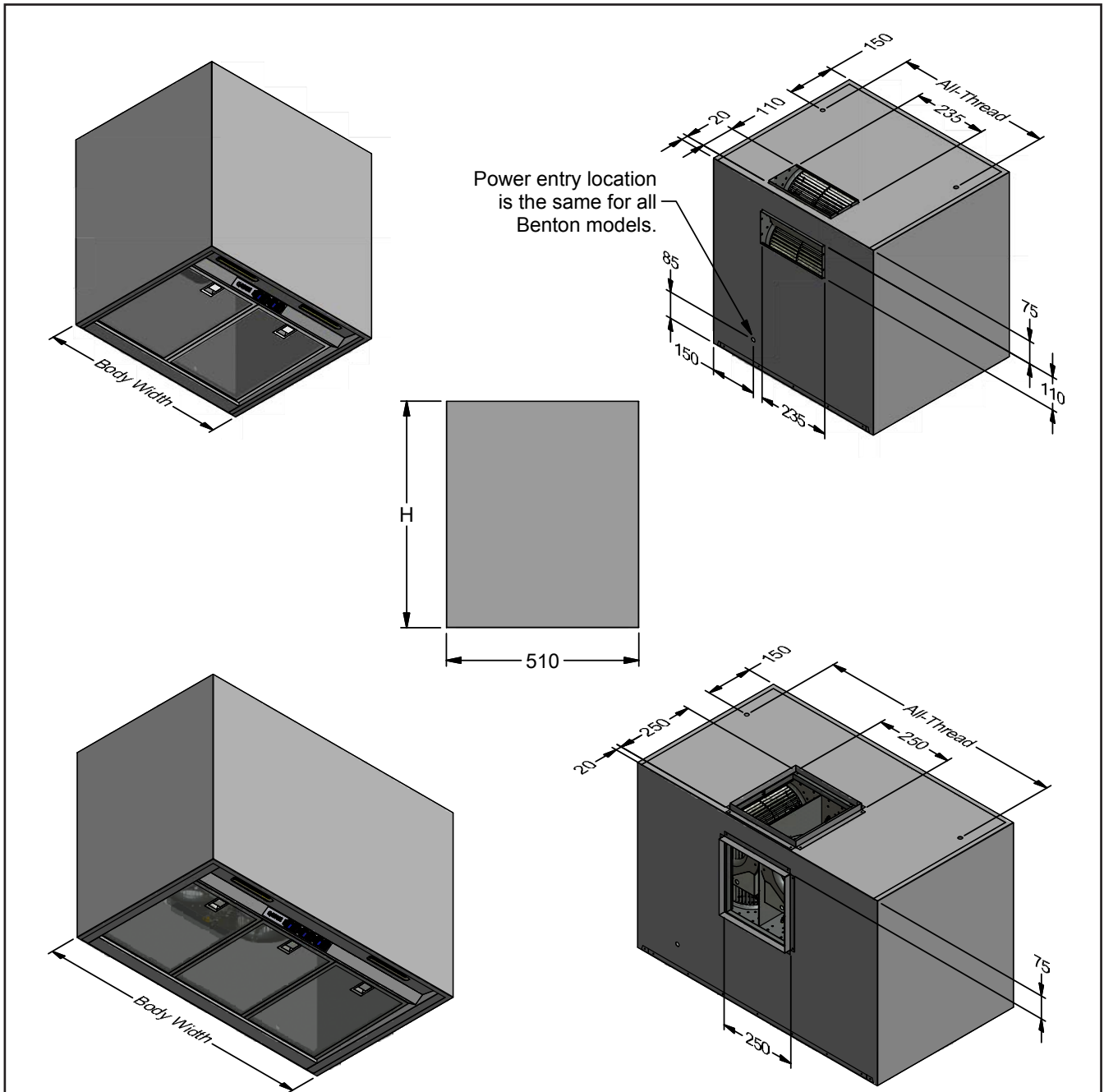
*Installation must be carried out by the procedure outlined.
Failure to do so may void the guarantee.*

***Electrical:** Wiring to the appliance must comply with State and local Regulations.
Connection to be carried out by a registered electrician.*

1. Remove hood from packaging being careful not to touch stainless steel front.
2. Locate centre of stove and using level or plumb line, mark centre line up to ceiling.
3. Measure height of hood and mark same distance down from ceiling with level line.
4. Mark where ducting needs to be cut either on wall or ceiling, check for wires and timber, then cut hole for ducting.
5. Locate solid fixing points on wall (This hood is very heavy and requires good solid fixing points). If necessary fit some solid fixing timber to wall behind hood now.
6. Mark fixing points on rear of hood and drill fixing holes to take solid screws.
7. Drill hole in rear or top of the hood to take electrical cable.
8. It may be easier to remove fans for easier fixing and weight when installing.
9. If you do not have adjustable stands you can cut some temporary timber props to sit canopy on when you lift into position, to hold it while you fit fixing screws.
10. You need two people to lift this canopy into position. * Do not attempt this on your own, as you could cause yourself injury and damage the hood or stove. CAUTION: Do not under any circumstances lift from the front of the hood or put any pressure on the front face as you will damage the hood permanently.
11. Carefully lift hood into position and sit on stands to level hood, then screw hood into position through fixing holes. Make sure you put fixing holes high up in the hood to stop it falling forward.
12. Fit ducting to hood to the outside atmosphere as required either through the roof with appropriate flashing by a plumber or through the rear wall vent, which needs to be siliconed to the rear of the hood. Always use approved ducting and seal all duct joins with duct tape or silicone.
13. An electrician should make the electrical connection to the hood by connecting to the 10 AMP junction box. Ensure power is turned off during this procedure.
14. Refit fans to hood, insert filters and test.

Handy hints: Sometimes it is easier to lift the hood with a person in the roof space pulling up on a rope attached to a wooden block placed inside base of hood and a second person down the bottom guiding the hood into position.

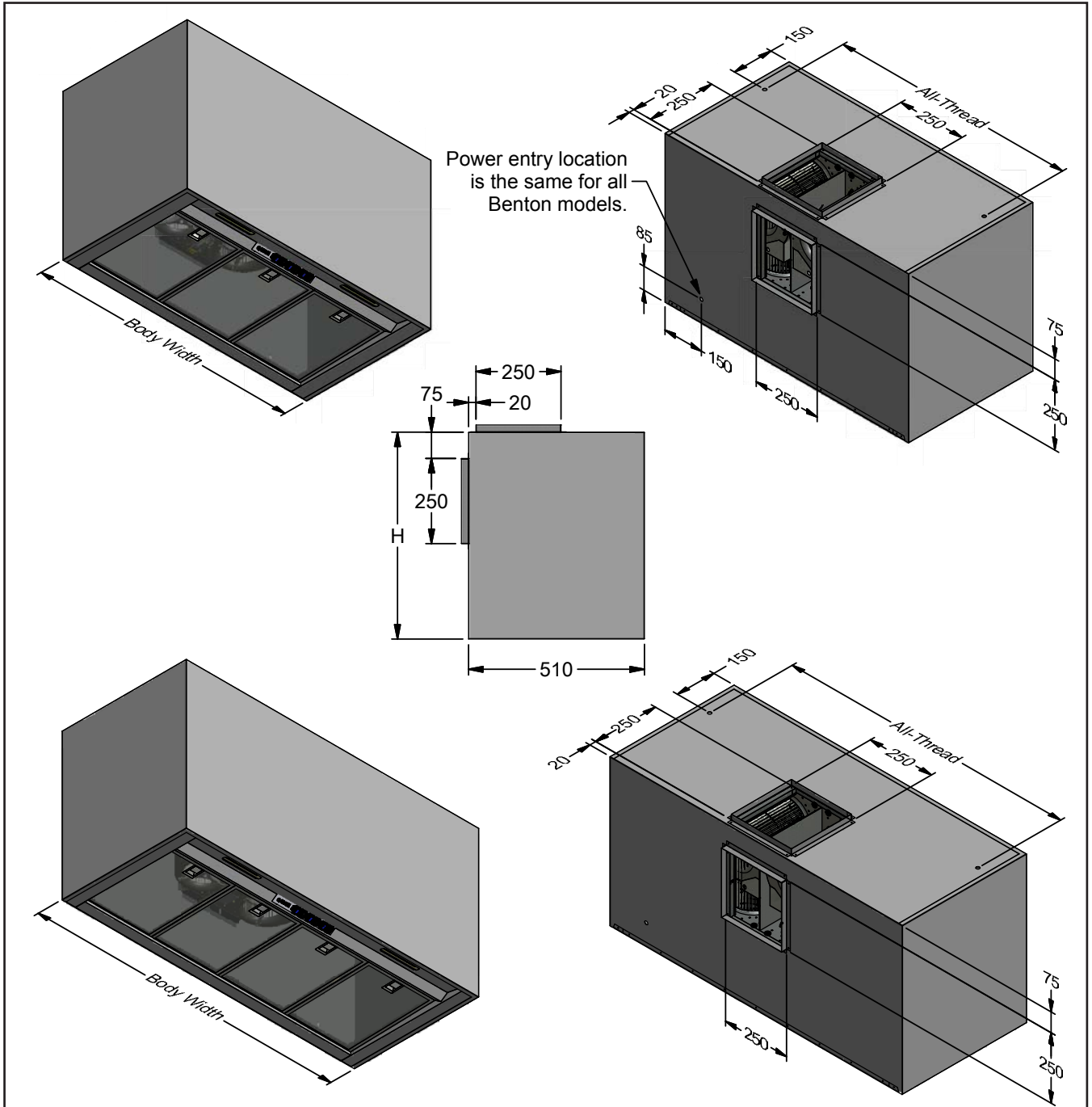
BENTON - BRH



All-Thread rods are supplied for extra support.

Model	BRH 600L-1	BRH 900L-1	BRH 900L-2	Model	BRH 600L-1	BRH 900L-1	BRH 900L-2
Body Width	600mm	900mm	900mm	Filter Size	272mm x 355mm	272mm x 355mm	272mm x 355mm
Motor Box / Flue Width	N/A	N/A	N/A	Conversion Top/Back Back/Top	NO	NO	NO
Motor Qty	1	1	2	Electrical Connection	Junction Box	Junction Box	Junction Box
LED Light	Cool	Cool	Cool	Minimum Height (H =)	400mm	400mm	400mm
Nightlight	YES	YES	YES	Maximum Height (H =)	1450mm	1450mm	1450mm
Light Qty	2	2	2	PowderKote® Available	YES	YES	YES
Light Centres	310mm	510mm	510mm	All-thread Fixing Centres	500mm	800mm	800mm
Filter Qty	2	3	3	Corner Type	Square	Square	Square
				Condari Pty Ltd.	Version: C 20/01/2015F	Page 1 of 2	

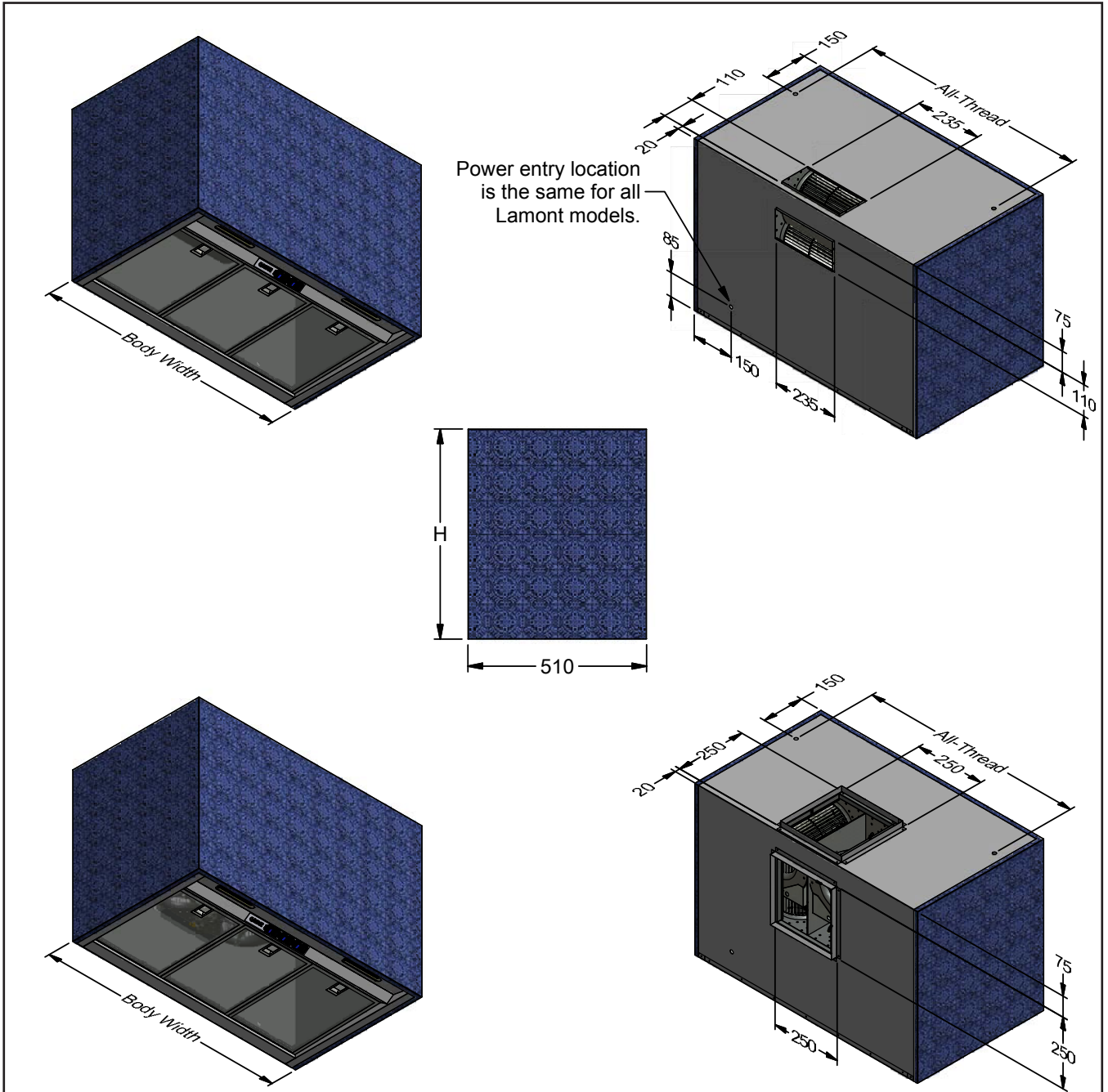
BENTON - BRH



All-Thread rods are supplied for extra support.

Model	BRH 1000L-2	BRH 1200L-2	Model	BRH 1000L-2	BRH 1200L-2
Body Width	1000mm	1200mm	Filter Size	290mm x 355mm	272mm x 355mm
Motor Box / Flue Width	N/A	N/A	Conversion Top/Back Back/Top	NO	NO
Motor Qty	2	2	Electrical Connection	Junction Box	Junction Box
LED Light	Cool	Cool	Minimum Height (H =)	400mm	400mm
Nightlight	YES	YES	Maximum Height (H =)	1450mm	1450mm
Light Qty	2	2	PowderKote® Available	YES	YES
Light Centres	510mm	648mm	All-thread Fixing Centres	800mm	950mm
Filter Qty	3	4	Corner Type	Square	Square
			Condari Pty Ltd.	Version: C 20/01/2015F Page 2 of 2	

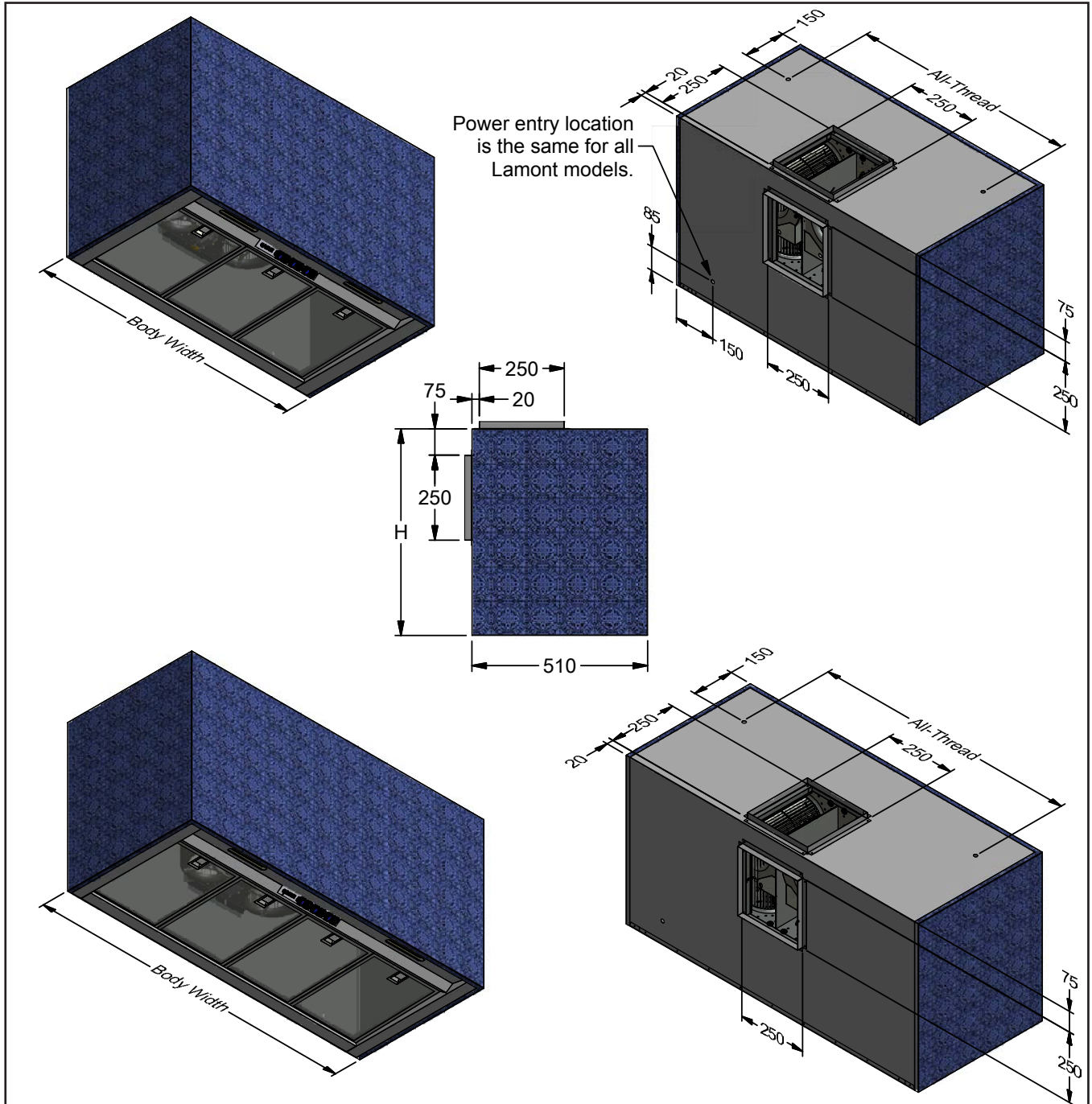
LAMONT - LAM



All-Thread rods are supplied for extra support.

Model	LAM 900L-1	LAM 900L-2	Model	LAM 900L-1	LAM 900L-2
Body Width	900mm	900mm	Filter Size	272mm x 355mm	272mm x 355mm
Motor Box / Flue Width	N/A	N/A	Conversion Top/Back Back/Top	NO	NO
Motor Qty	1	2	Electrical Connection	Junction Box	Junction Box
LED Light	Cool	Cool	Minimum Height (H =)	400mm	400mm
Nightlight	YES	YES	Maximum Height (H =)	1100mm	1100mm
Light Qty	2	2	PowderKote® Available	N/A	N/A
Light Centres	510mm	510mm	All-thread Fixing Centres	800mm	800mm
Filter Qty	3	3	Corner Type	Square	Square

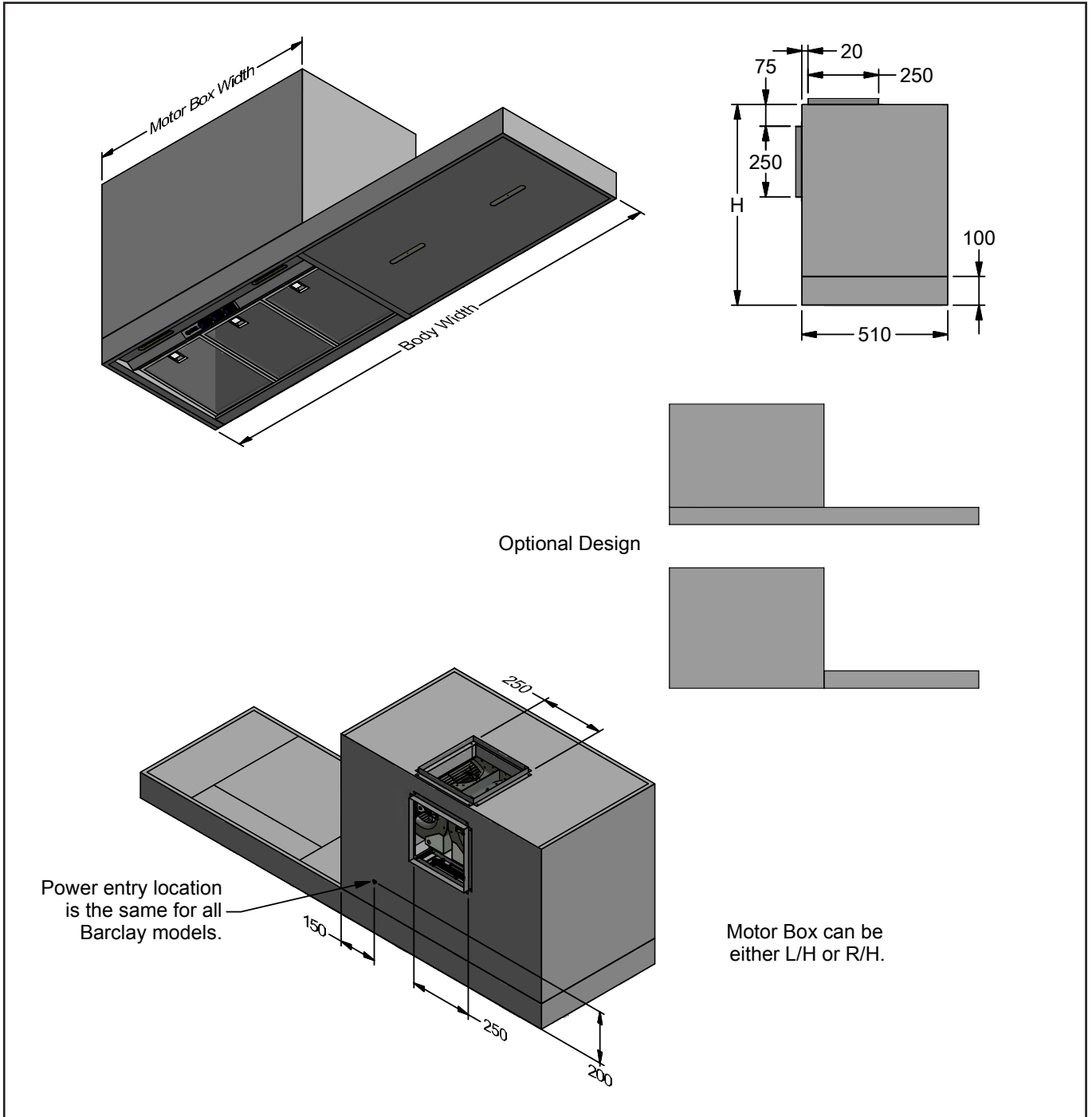
LAMONT - LAM



All-Thread rods are supplied for extra support.

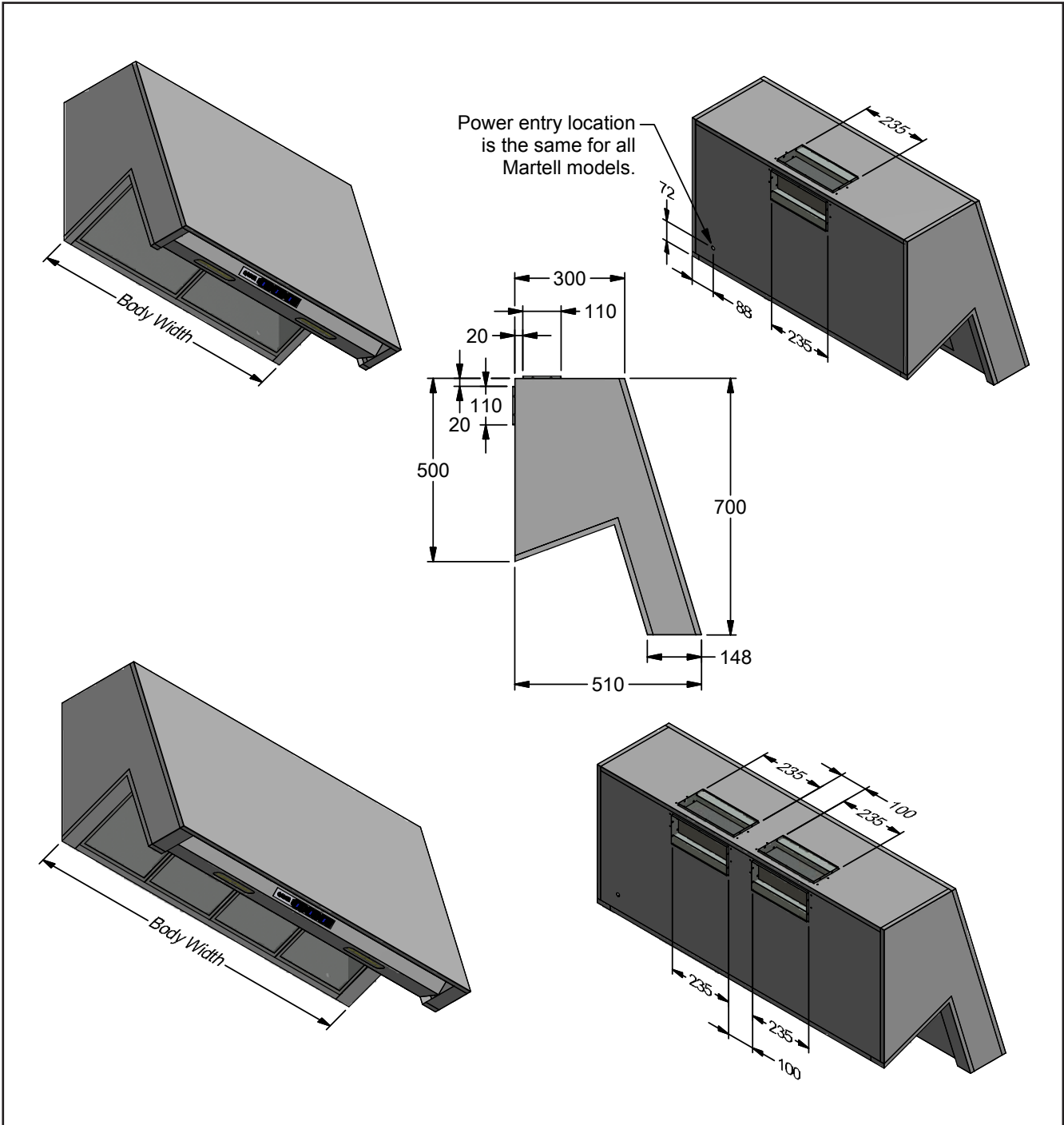
Model	LAM 1000L-2	LAM 1200L-2	Model	LAM 1000L-2	LAM 1200L-2
Body Width	1000mm	1200mm	Filter Size	290mm x 355mm	272mm x 355mm
Motor Box / Flue Width	N/A	N/A	Conversion Top/Back Back/Top	NO	NO
Motor Qty	2	2	Electrical Connection	Junction Box	Junction Box
LED Light	Cool	Cool	Minimum Height (H =)	400mm	400mm
Nightlight	YES	YES	Maximum Height (H =)	1100mm	1100mm
Light Qty	2	2	PowderKote® Available	N/A	N/A
Light Centres	510mm	648mm	All-thread Fixing Centres	800mm	950mm
Filter Qty	3	4	Corner Type	Square	Square
			Condari Pty Ltd.	Version: B 20/01/2015F Page 2 of 2	

BARCLAY - BAR



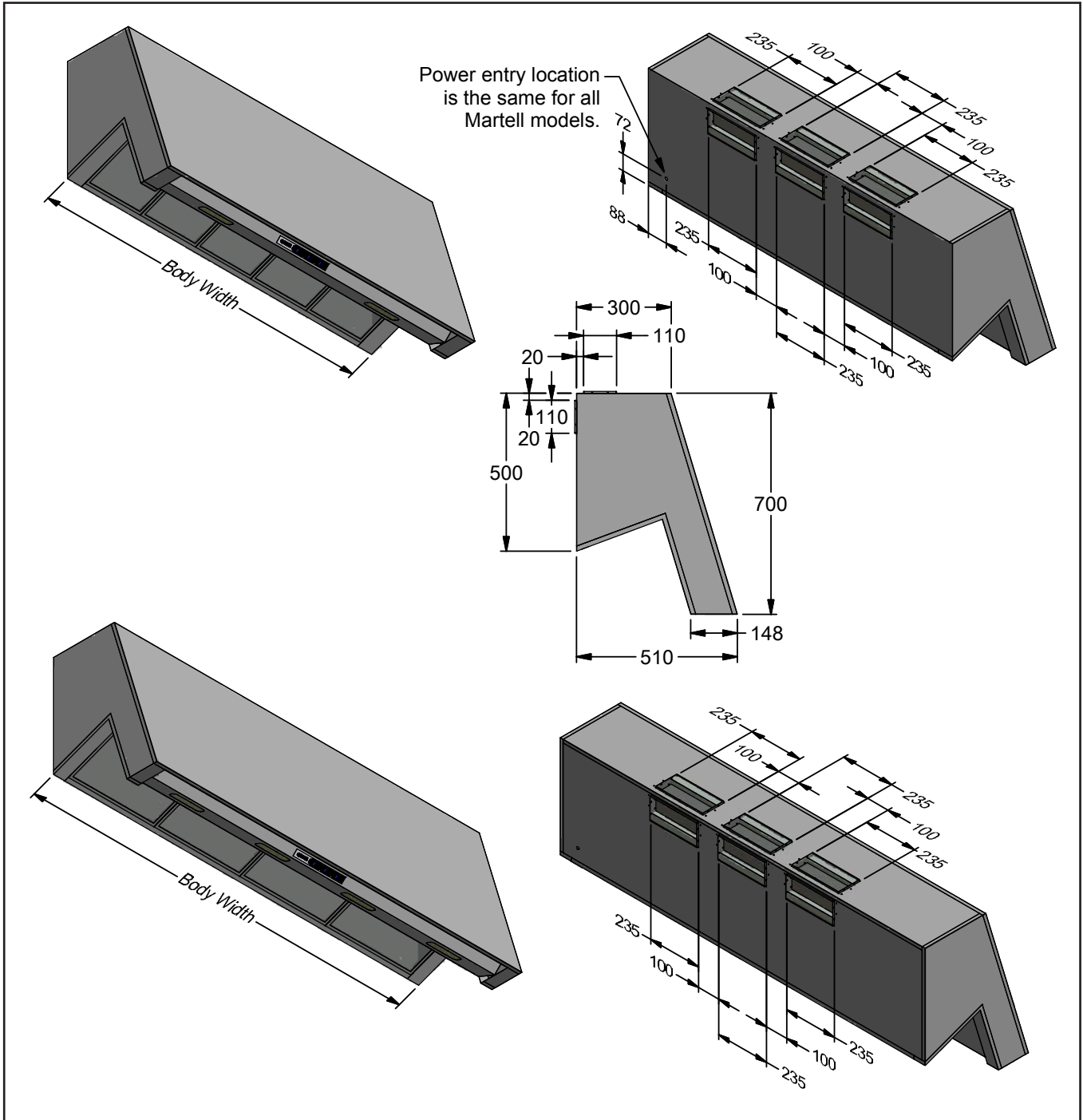
Model	BAR 1800-2400L-2	BAR 2400-3000L-2	Model	BAR 1800-2400L-2	BAR 2400-300L-2
Body Width	1800mm-2400mm	2400mm-3000mm	Filter Size	Varies depending on length of rangehood	Varies depending on length of rangehood
Motor Box / Flue Width	900mm,1000mm,1200mm	900mm,1000mm,1200mm	Conversion Top/Back Back/Top	NO	NO
Motor Qty	2	2	Electrical Connection	Junction Box	Junction Box
LED Light	Cool	Cool	Minimum Height (H =)	550mm	550mm
Nightlight	YES	YES	Maximum Height (H =)	1550mm	1550mm
Light Qty	Varies depending on length of rangehood	Varies depending on length of rangehood	PowderKote ® Available	N/A	N/A
Light Centres	Varies depending on length of rangehood	Varies depending on length of rangehood	All-thread Fixing Centres	N/A	N/A
Filter Qty	Varies depending on length of rangehood	Varies depending on length of rangehood	Corner Type	Square	Square
			Condari Pty Ltd.	Version: B 20/01/2015F Page 1 of 1	

MARTELL - MAR



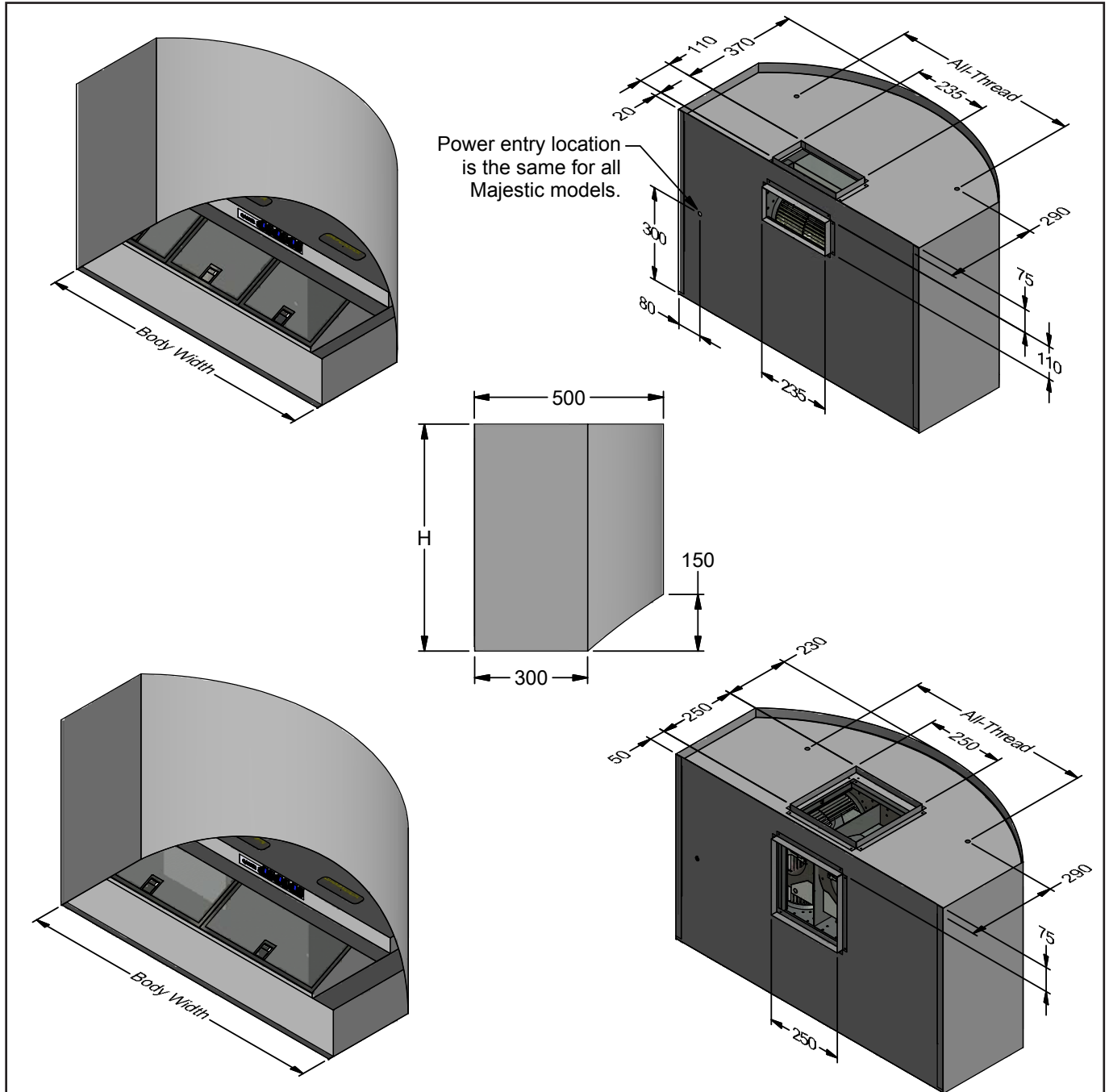
Model	MAR 900L-1	MAR 900L-2	MAR 1200L-2	Model	MAR 900L-1	MAR 900L-2	MAR 1200L-2
Body Width	900mm	900mm	1200mm	Filter Size	422mm x 272mm	422mm x 272mm	272mm x 272mm
Motor Box / Flue Width	N/A	N/A	N/A	Conversion Top/Back Back/Top	NO	NO	NO
Motor Qty	1	2	2	Electrical Connection	Junction Box	Junction Box	Junction Box
LED Light	Cool	Cool	Cool	Minimum Height (H =)	N/A	N/A	N/A
Nightlight	YES	YES	YES	Maximum Height (H =)	N/A	N/A	N/A
Light Qty	2	2	2	PowderKote® Available	N/A	N/A	N/A
Light Centres	422mm	422mm	544mm	All-thread Fixing Centres	N/A	N/A	N/A
Filter Qty	2	2	4	Corner Type	Square	Square	Square
				Condari Pty Ltd.	Version: A 01/07/2014F	Page 1 of 2	

MARTELL - MAR



Model	MAR 1500L-3	MAR 1800L-3	Model	MAR 1500L-3	MAR 1800L-3
Body Width	1500mm	1800mm	Filter Size	272mm x 272mm	422mm x 272mm
Motor Box / Flue Width	N/A	N/A	Conversion Top/Back Back/Top	NO	NO
Motor Qty	3	3	Electrical Connection	Junction Box	Junction Box
LED Light	Cool	Cool	Minimum Height (H =)	N/A	N/A
Nightlight	YES	YES	Maximum Height (H =)	N/A	N/A
Light Qty	2	4	PowderKote® Available All-thread Fixing Centres	N/A	N/A
Light Centres	816mm	422mm	Corner Type	Square	Square
Filter Qty	5	4			

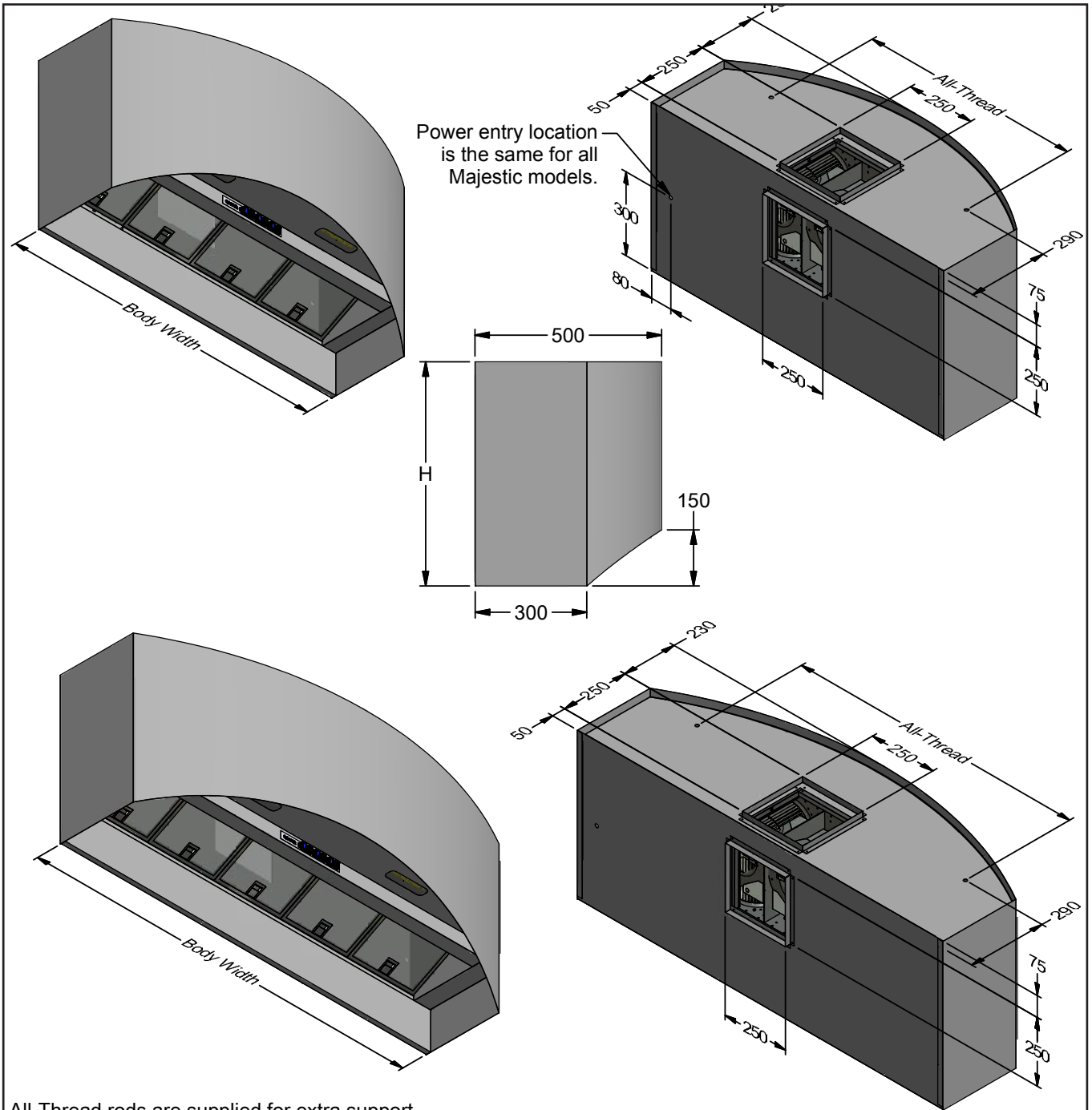
MAJESTIC - MAJ



All-Thread rods are supplied for extra support.

Model	MAJ 900L-1	MAJ 900L-2	MAJ 1000L-2	Model	MAJ 900L-1	MAJ 900L-2	MAJ 1000L-2
Body Width	900mm	900mm	1000mm	Filter Size	272mm x 272mm	272mm x 272mm	422mm x 272mm
Motor Box / Flue Width	N/A	N/A	N/A	Conversion Top/Back Back/Top	NO	NO	NO
Motor Qty	1	2	2	Electrical Connection	Junction Box	Junction Box	Junction Box
LED Light	Cool	Cool	Cool	Minimum Height (H =)	600mm	600mm	600mm
Nightlight	YES	YES	YES	Maximum Height (H =)	1150mm	1150mm	1150mm
Light Qty	2	2	2	PowderKote® Available	N/A	N/A	N/A
Light Centres	350mm	350mm	350mm	All-thread Fixing Centres	600mm	600mm	600mm
Filter Qty	3	3	2	Corner Type	Square	Square	Square
				Condari Pty Ltd.	Version: B 29/11/2014F		Page 1 of 2

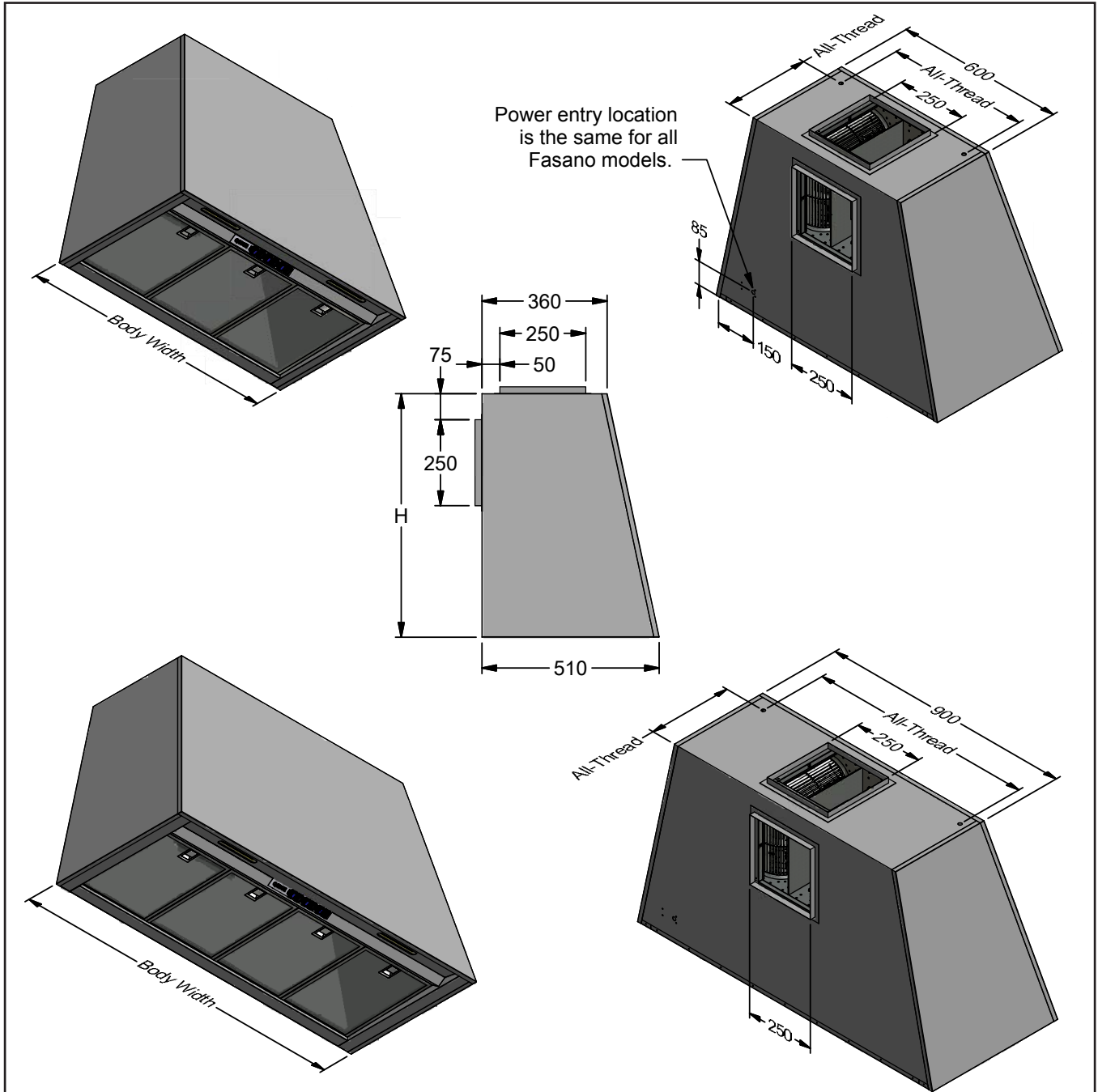
MAJESTIC - MAJ



All-Thread rods are supplied for extra support.

Model	MAJ 1200L-2	MAJ 1500L-2	Model	MAJ 1200L-2	MAJ 1500L-2
Body Width	1200mm	1500mm	Filter Size	272mm x 272mm	272mm x 272mm
Motor Box / Flue Width	N/A	N/A	Conversion Top/Back Back/Top	NO	NO
Motor Qty	2	2	Electrical Connection	Junction Box	Junction Box
LED Light	Cool	Cool	Minimum Height (H =)	600mm	600mm
Nightlight	YES	YES	Maximum Height (H =)	1150mm	1150mm
Light Qty	2	2	PowderKote® Available	N/A	N/A
Light Centres	500mm	600mm	All-thread Fixing Centres	800mm	1100mm
Filter Qty	4	5	Corner Type	Square	Square
			Condari Pty Ltd.	Version: B 29/11/2014F Page 2 of 2	

FASANO - FAS



All-Thread rods are supplied for extra support.

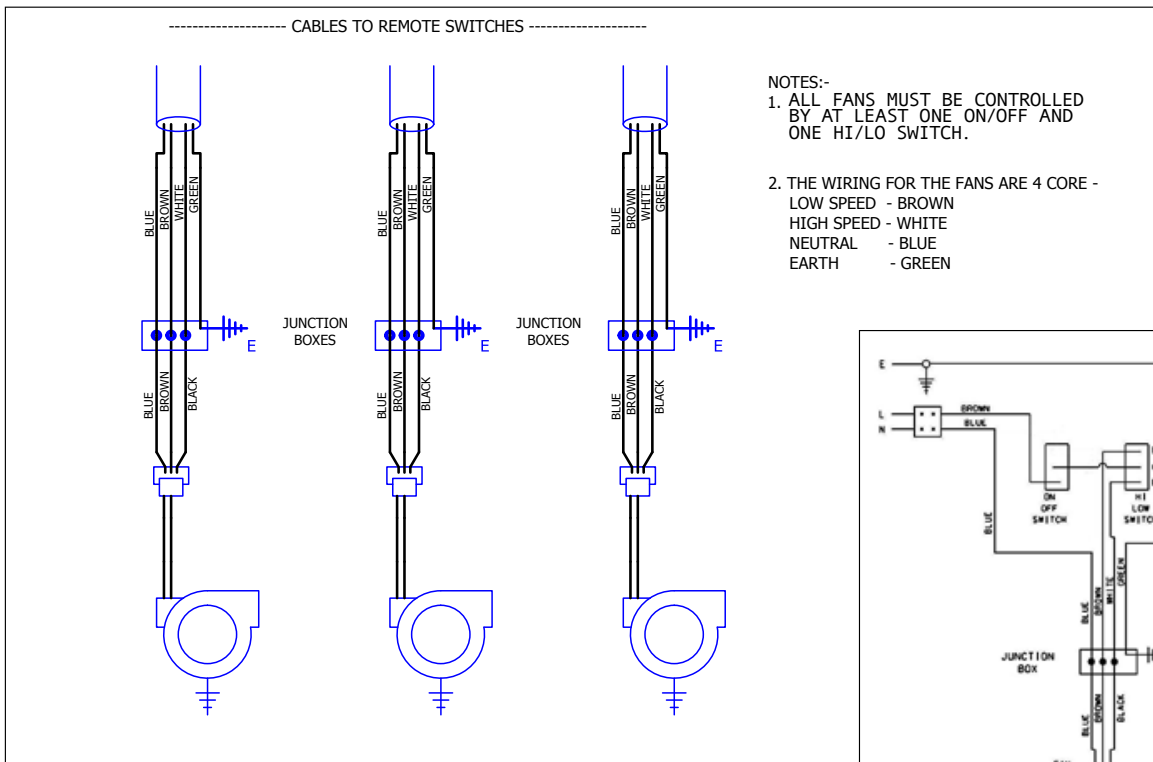
Model	FAS 900L-2	FAS 1200L-2	Model	FAS 900L-2	FAS 1200L-2
Body Width	900mm	1200mm	Filter Size	272mm x 355mm	272mm x 355mm
Motor Box / Flue Width	N/A	N/A	Conversion Top/Back Back/Top	NO	NO
Motor Qty	2	2	Electrical Connection	Junction Box	Junction Box
LED Light	Cool	Cool	Minimum Height (H =)	700mm	700mm
Nightlight	YES	YES	Maximum Height (H =)	1400mm	1400mm
Light Qty	2	2	PowderKote® Available	YES	YES
Light Centres	510mm	648mm	All-thread Fixing Centres	300mm x 500mm	300mm x 800mm
Filter Qty	3	4	Corner Type	Square	Square
			Condari Pty Ltd.	Version: C 20/01/2015F Page 1 of 1	

REMOTE SWITCHING SPECIFICATIONS

3 FAN (no lights)

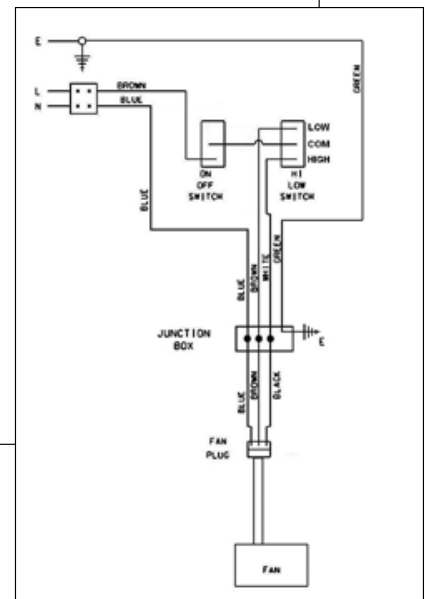
1. Wiring to the appliance must comply with State and local regulations.
2. Switching is not provided with this unit. - The order was for the controls to be separate from the unit.
3. You may use any switching to connect the rangehood (e.g. Clipsal switches).
4. All fans must be controlled by at least one ON/OFF and one HI/LO switch.
(i.e. single or twin motor models).
5. Please refer to Wiring Diagram below for detailed wiring information.

WIRING DIAGRAM



NOTE: This diagram is for reference only. A qualified electrician must connect remote switching to rangehood.

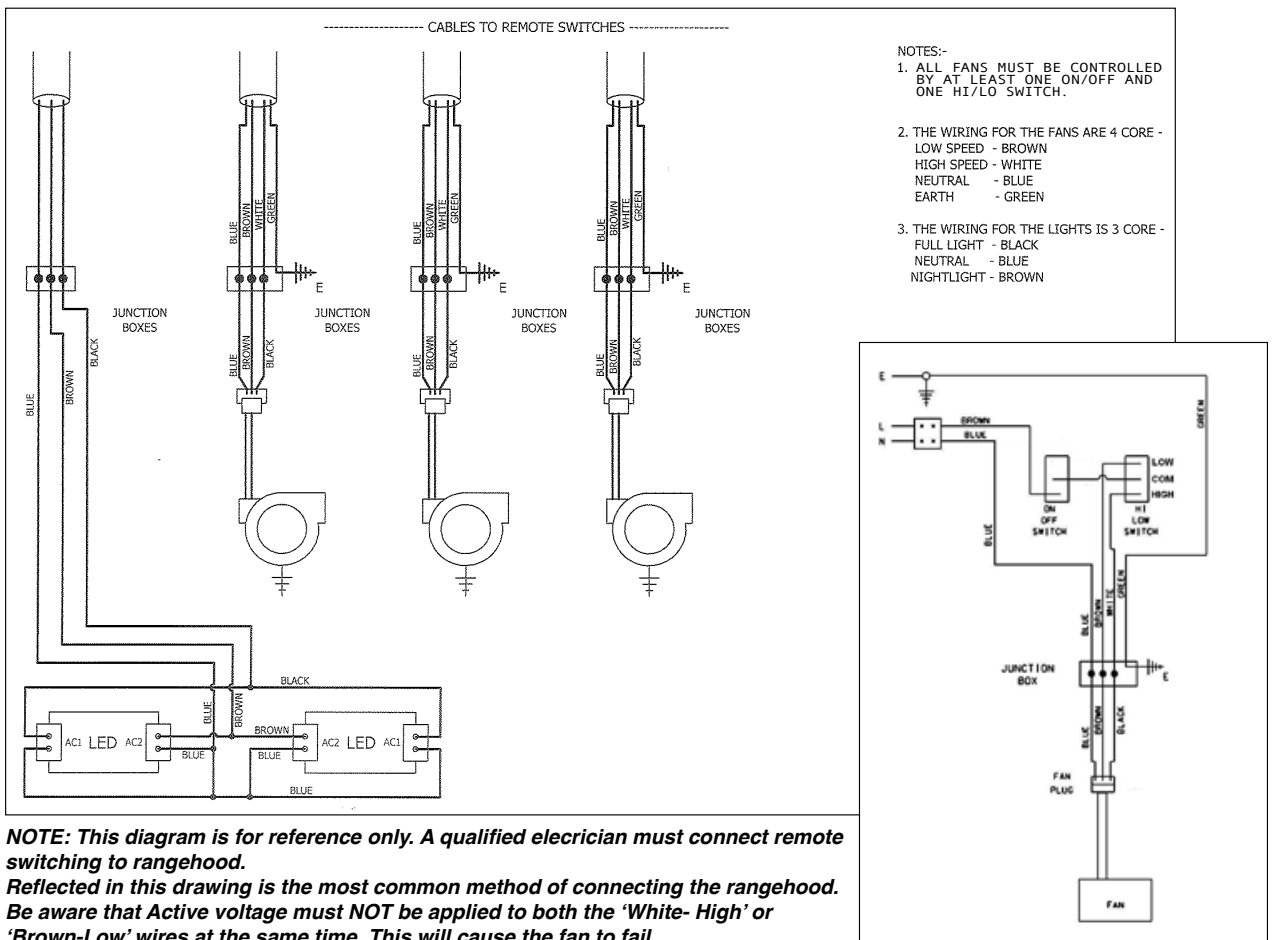
Reflected in this drawing is the most common method of connecting the rangehood. Be aware that Active voltage must NOT be applied to both the 'White- High' or 'Brown-Low' wires at the same time. This will cause the fan to fail.



REMOTE SWITCHING SPECIFICATIONS 3 FAN, LED and NIGHTLIGHT

1. Wiring to the appliance must comply with State and local regulations.
2. Switching is not provided with this unit. - The order was for the controls to be separate from the unit.
3. You may use any switching to connect the rangehood (e.g. Clipsal switches).
4. All fans must be controlled by at least one ON/OFF and one HI/LO switch.
(i.e. single or twin motor models).
5. Please refer to Wiring Diagram below for detailed wiring information.

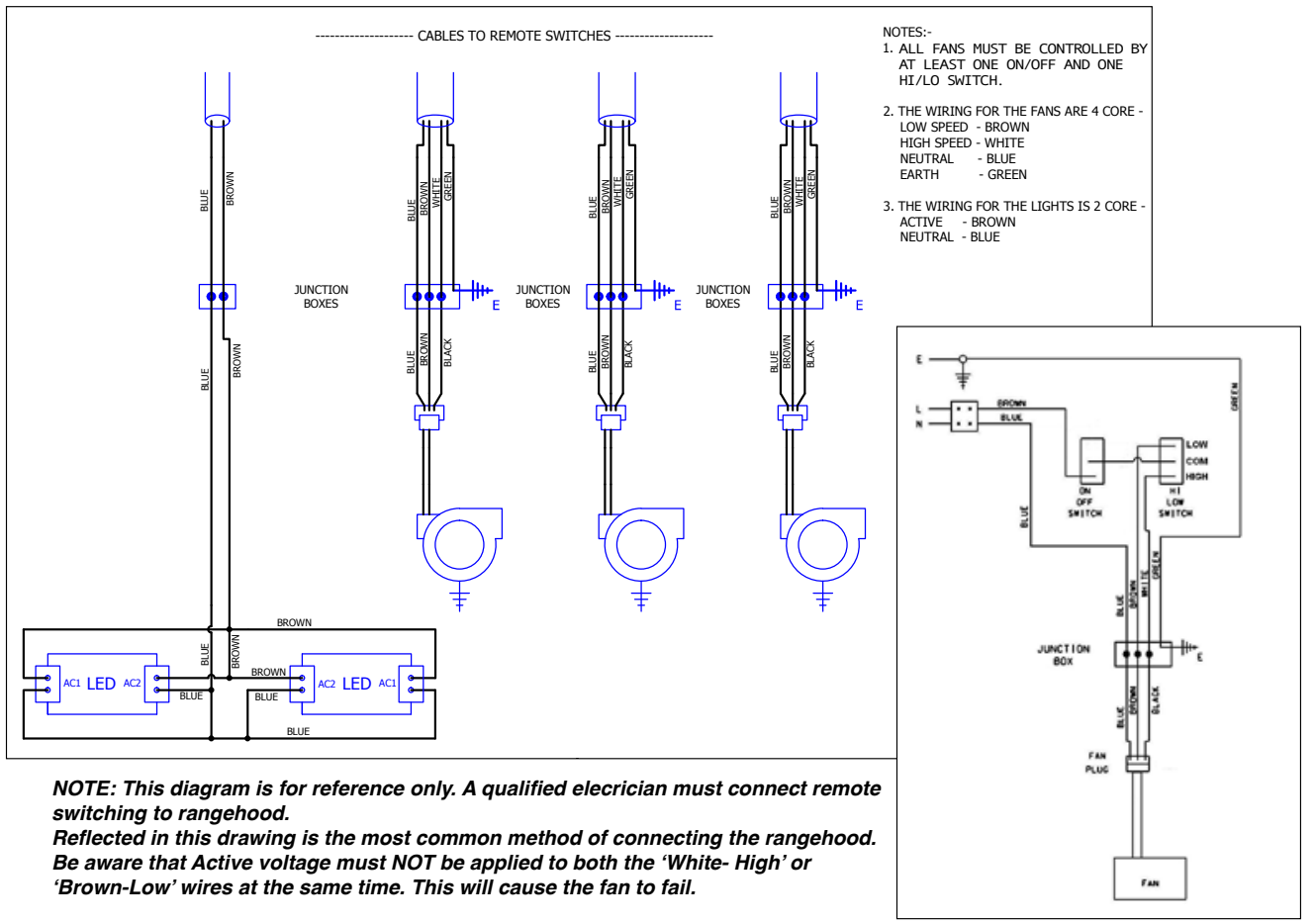
WIRING DIAGRAM



REMOTE SWITCHING SPECIFICATIONS 3 FAN with LED

1. Wiring to the appliance must comply with State and local regulations.
2. Switching is not provided with this unit. - The order was for the controls to be separate from the unit.
3. You may use any switching to connect the rangehood (e.g. Clipsal switches).
4. All fans must be controlled by at least one ON/OFF and one HI/LO switch.
(i.e. single or twin motor models).
5. Please refer to Wiring Diagram below for detailed wiring information.

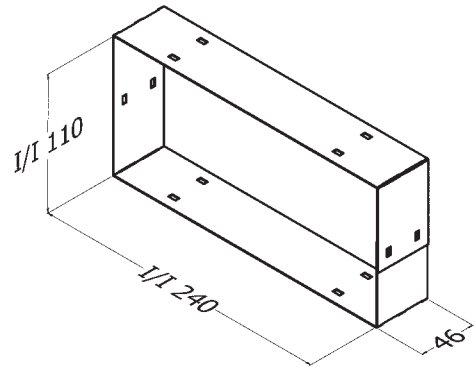
WIRING DIAGRAM



SINGLE MOTOR DUCTING

NOTE:

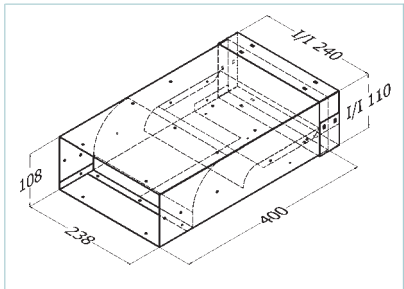
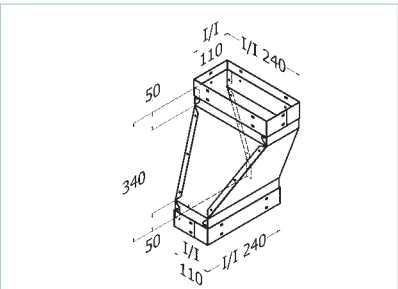
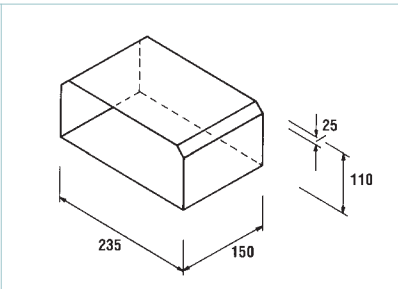
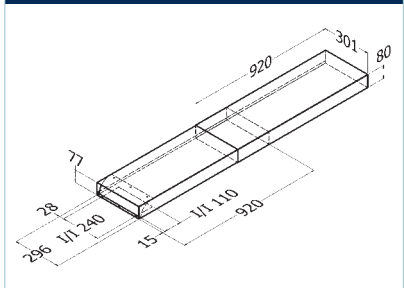
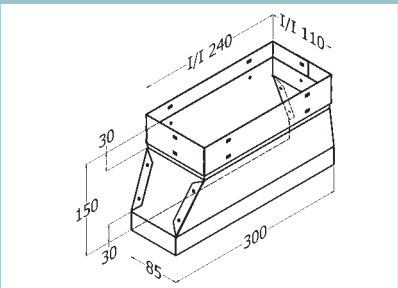
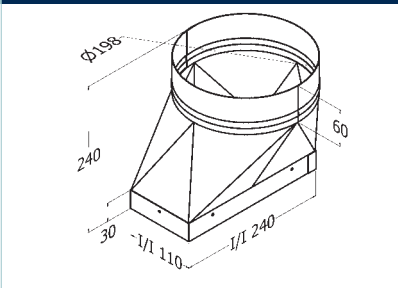
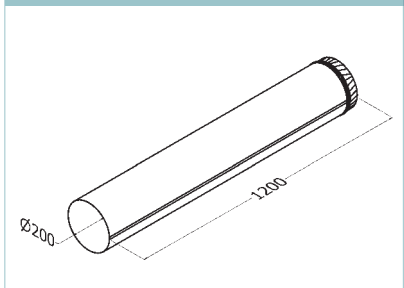
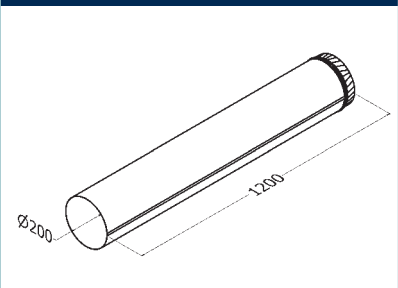
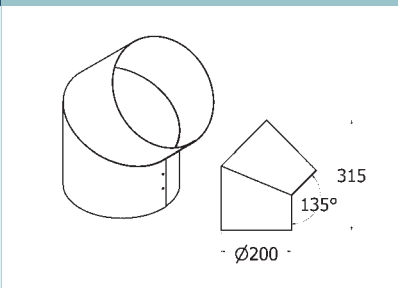
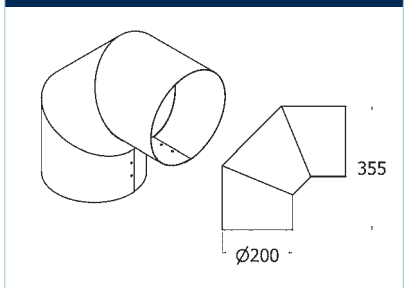
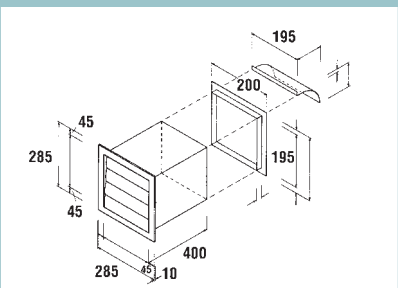
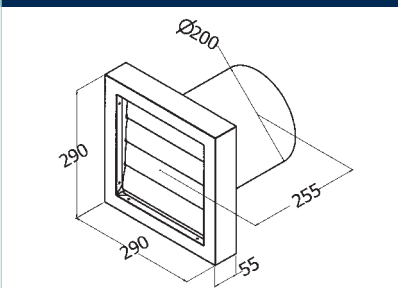
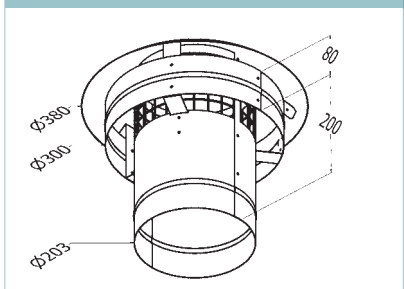
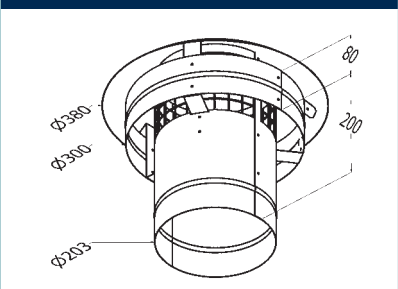
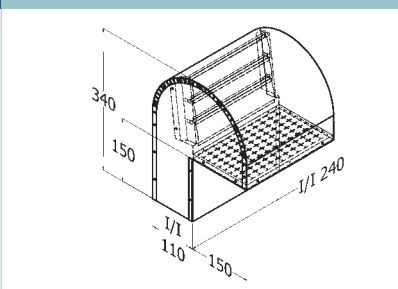
This Zinc Alume Strip is provided to join some duct pieces together. It will be clearly shown on the drawing of the piece it is supplied with.

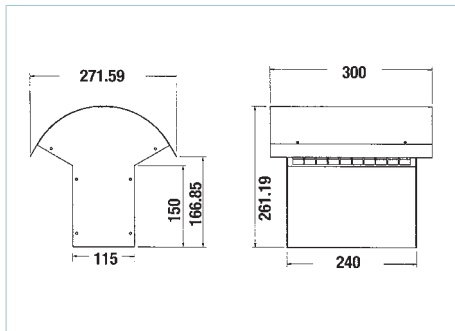


I/I: Inside to Inside Measurement

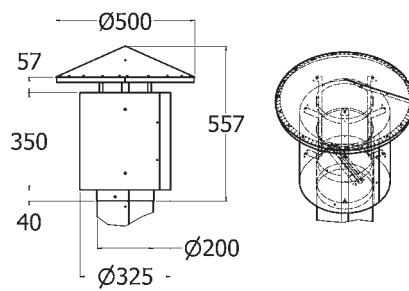
<p>101. DL-1 Single Motor Duct Length 1200mm DL-1 CB Single Motor Duct Length 1200mm Colourbond</p>	<p>101. DL-1 A Single Motor Duct Length 300mm</p>	<p>101. DL-1 E Single Motor Duct Length Extension</p>
<p>102. HB-1 Horizontal Bend Single Motor 90°</p>	<p>103. HB-1/45 Horizontal Bend Single Motor 45°</p>	<p>104. BD/WV-H-1 Back Draft Wall Vent Single Motor Horizontal See alternative Duct Piece No. 145</p>
<p>105. BD/WV-H-1 SS Back Draft Wall Vent Single Motor Horizontal 445M2 Stainless Steel</p>	<p>106. VB-1 Vertical Bend Single Motor 90°</p>	<p>107. VB-1/45 Vertical Bend Single Motor 45°</p>
<p>108. BD/WV-V-1 Back Draft Wall Vent Single Motor Vertical</p>	<p>109. BD/WV-V-1 SS Back Draft Wall Vent Single Motor Vertical 445M2 Stainless Steel</p>	<p>110. DD-1H L Duct Director Single Motor Horizontal Left</p>

SINGLE MOTOR DUCTING

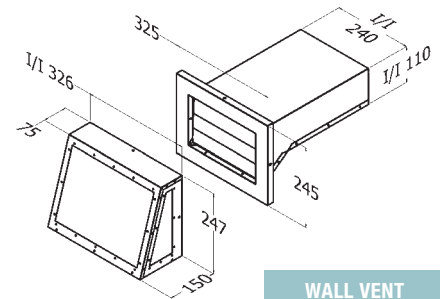
		
<p>111. DD-1H R Duct Director Single Motor Horizontal Right</p>	<p>112. TT-1 Twisted Transition Single Motor</p>	<p>113. DLE-DLE Flue Joiner Single Motor</p>
		
<p>114. CD-920 Cavity Duct Extensible</p>	<p>115. CD-920 TO DL-1 Cavity Duct to DL-1</p>	<p>116. TR-1 Single Motor Transition DL-1 to 200Ø</p>
		
<p>117. DR-200 Duct Length 200Ø</p>	<p>118. DR-200 CB Duct Length 200Ø Colourbond</p>	<p>119. DR-200/45 200Ø Bend 45°</p>
		
<p>120. DR-200/90 200Ø Bend 90°</p>	<p>121. BD-6/7/9-WV-R/R Back Draft Wall Vent Rear Register Kit to Suit 6/7/900H</p>	<p>122. BD/WV-200Ø Back Draft Wall Vent</p>
		
<p>123. CH-200 Chairman's Hat 200Ø</p>	<p>124. CH-200 CB Chairman's Hat 200Ø Colourbond</p>	<p>125. BD/RC-1 Back Draft Roof Cowl Single Motor</p>



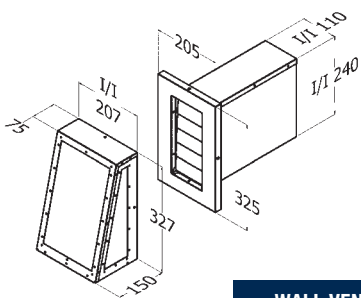
141. RC 1 SS
Roof Cowl Single Motor 445M2 Stainless Steel



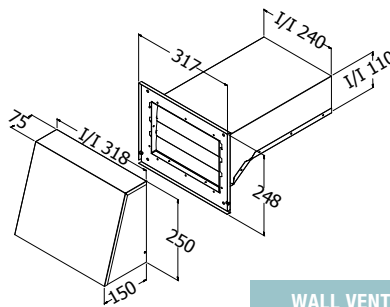
142. FRC 200 SS
Fire Rated 200Ø Roof Cowl
445M2 Stainless Steel



143. FRWV-H-1 SS
Fire Rated Wall Vent Horizontal
445M2 Stainless Steel



144. FRWV-V-1 SS
Fire Rated Wall Vent Vertical
445M2 Stainless Steel



145. BD/WV/K-H-1
Back Draft Wall Vent & Cover Single Motor
Horizontal kit assembled as one piece

**ROOF COWLS, WALL VENTS
AND WALL VENT COVERS**

All the above ducting pieces are all made in stainless steel type 445M2 which has a chromium content of 22% which is far greater than marine grade stainless steel and provides better protection.

This is stated on the description of each piece in the ducting brochure.

**WALL VENT COVERS SPECIFICATIONS
FIRE RATED APPROVED**

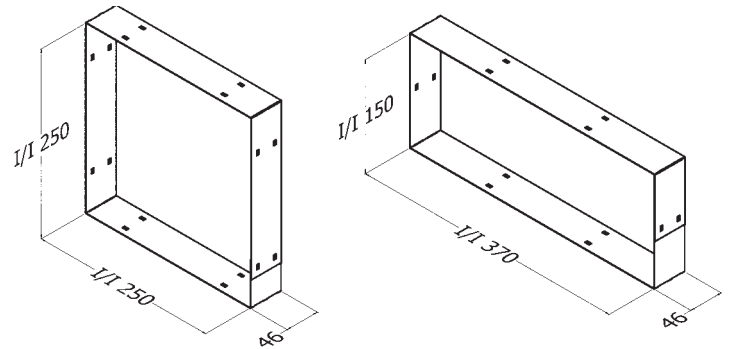
The wall vent covers have stainless steel screening type 316 and meets the requirements for stainless steel screening under the Australian Standard.

AS 3959-2009 Construction of Buildings in Bushfire prone areas.

TWIN MOTOR DUCTING

NOTE:

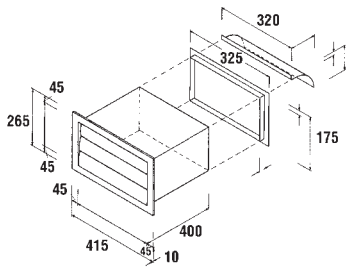
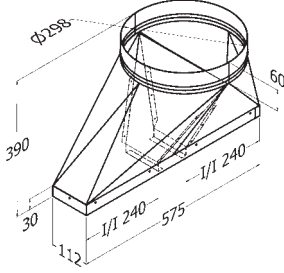
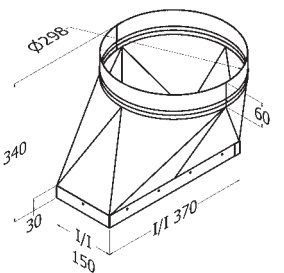
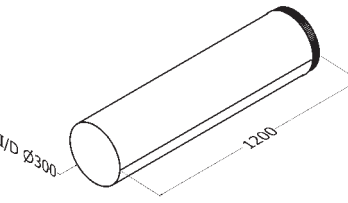
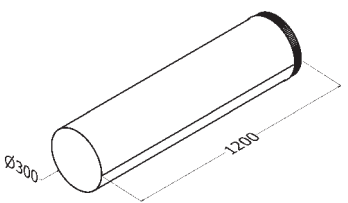
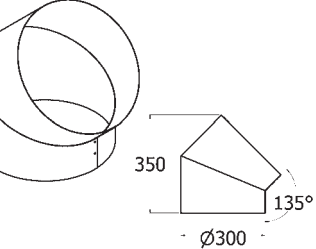
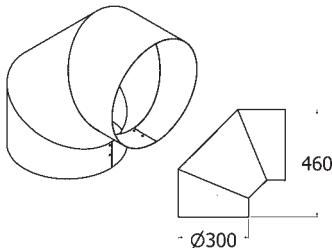
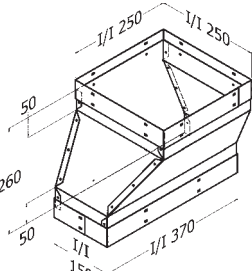
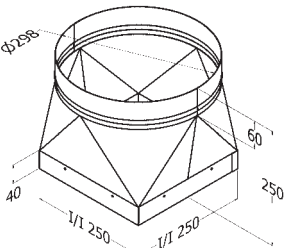
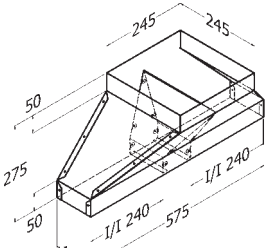
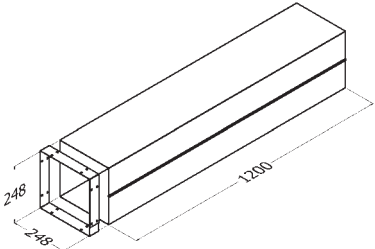
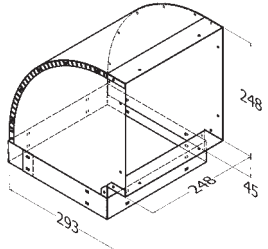
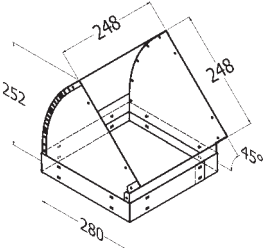
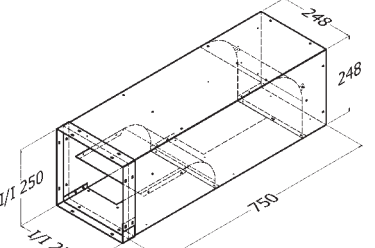
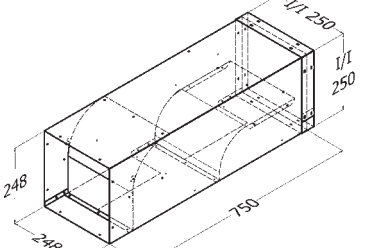
This Zinc Alume Strip is provided to join some duct pieces together. It will be clearly shown on the drawing of the piece it is supplied with.



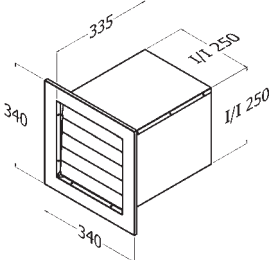
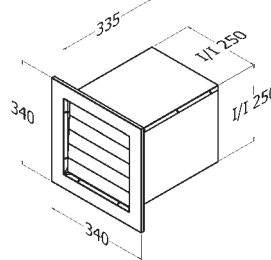
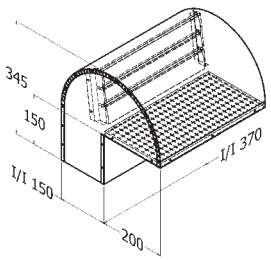
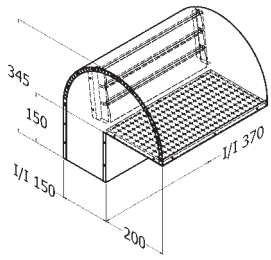
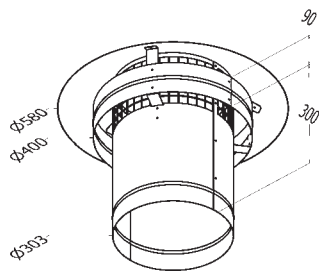
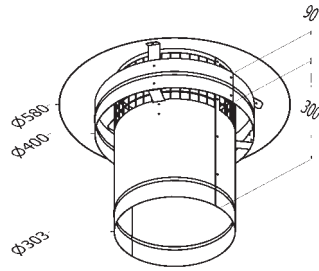
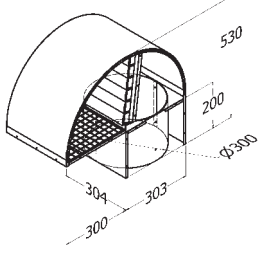
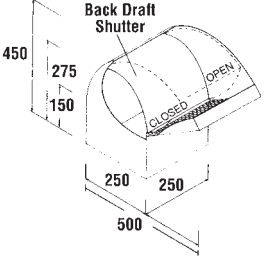
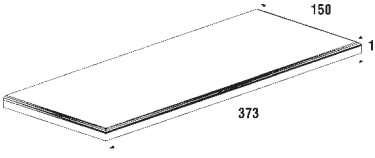
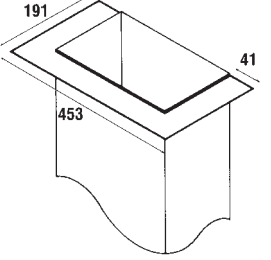
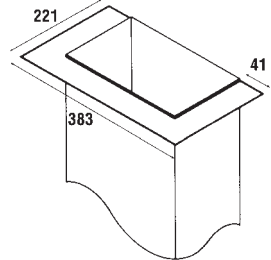
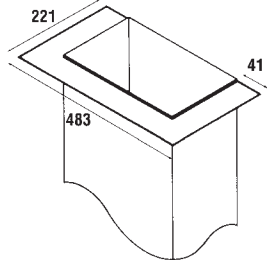
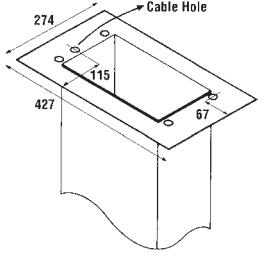
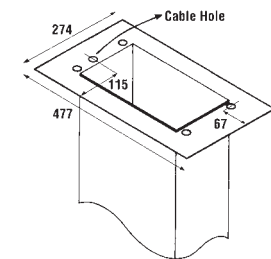
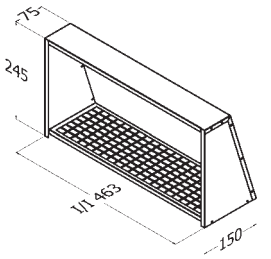
I/I: Inside to Inside Measurement

<p>201. TMT Twin Motor Transition</p>	<p>202. DL-2 Twin Motor Duct Length 1200mm</p>	<p>203. HB-2 Horizontal Bend Twin Motor 90°</p>
<p>204. HB-2/45 Horizontal Bend Twin Motor 45°</p>	<p>205. BD/WV-H-2 Back Draft Wall Vent Twin Motor Horizontal</p>	<p>206. BD/WV-H-2 SS Back Draft Wall Vent Twin Motor Horizontal 445M2 Stainless Steel</p>
<p>207. VB-2 Vertical Bend Twin Motor 90°</p>	<p>208. VB-2/45 Vertical Bend Twin Motor 45°</p>	<p>209. BD/WV-V-2 Back Draft Wall Vent Twin Motor Vertical</p>
<p>210. BD/WV-V-2 SS Back Draft Wall Vent Twin Motor Vertical 445M2 Stainless Steel</p>	<p>211. TT-2 Twisted Transition Twin Motor</p>	<p>212. DLE-2 TO DLE-2 Flue Joiner Twin Motor</p>

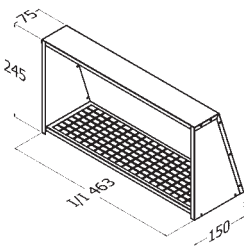
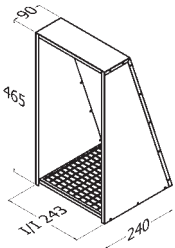
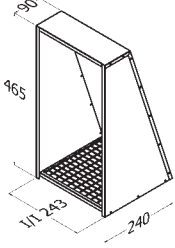
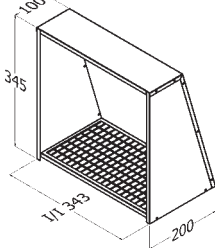
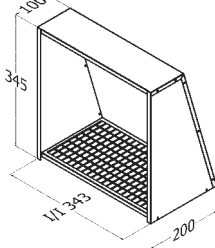
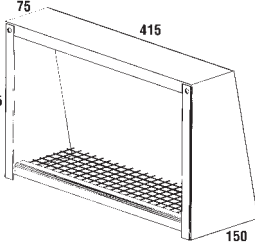
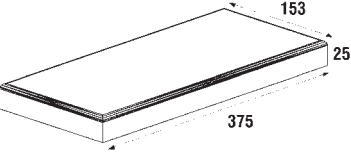
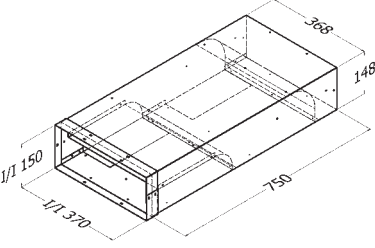
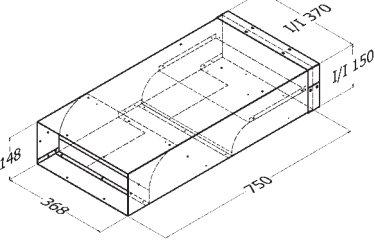
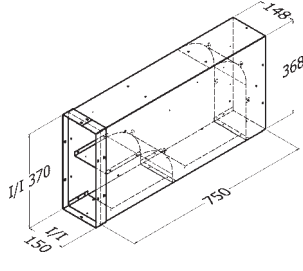
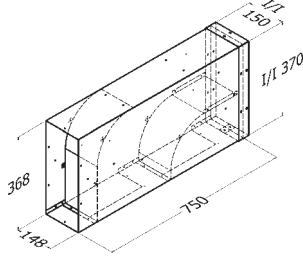
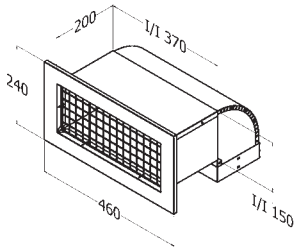
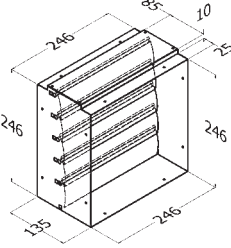
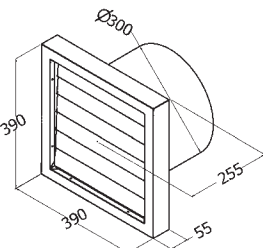
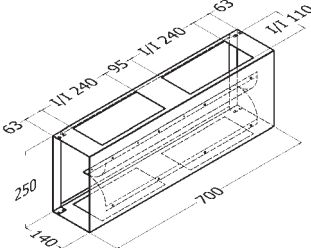
TWIN MOTOR DUCTING

		
<p>213. BD-10/12/15-WV-R/R Back Draft Wall Vent 10/12/1500H</p>	<p>214. TMT-300 Twin Motor Transition to 300Ø</p>	<p>215. TR-2 Twin Motor Transition from DL-2 to 300Ø</p>
		
<p>216. DR-300 Duct Length 300Ø</p>	<p>217. DR-300 CB Duct Length 300Ø Colourbond</p>	<p>218. DR-300/45 300Ø Bend 45°</p>
		
<p>219. DR-300/90 300Ø Bend 90°</p>	<p>220. DL-2/250SQ Twin Motor Transition DL-2 to 250SQ</p>	<p>221. TMT-250/300 Twin Motor Transition 250SQ to 300Ø</p>
		
<p>222. TMT-250 Twin Motor Transition to 250SQ</p>	<p>223. DL-250 Duct Length 250SQ</p>	<p>224. HB-250 Horizontal Bend 250SQ 90°</p>
		
<p>225. HB-250/45 Horizontal Bend 250SQ 45°</p>	<p>226. TMT-250/90 L Duct Deflector 250SQ Left</p>	<p>227. TMT-250/90 R Duct Deflector 250SQ Right</p>

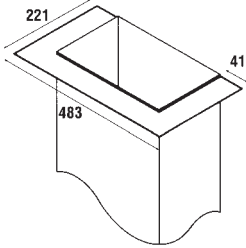
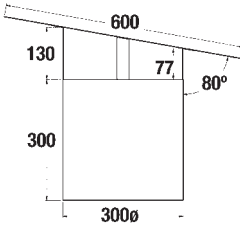
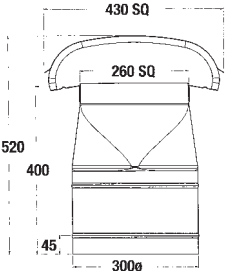
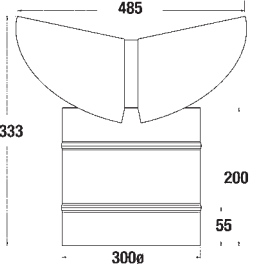
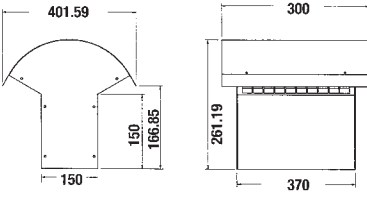
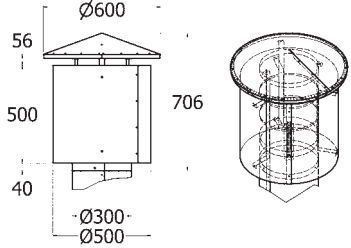
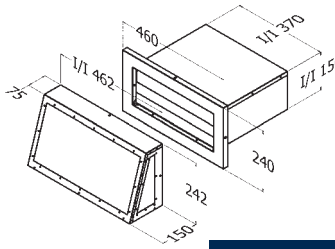
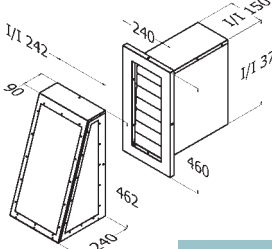
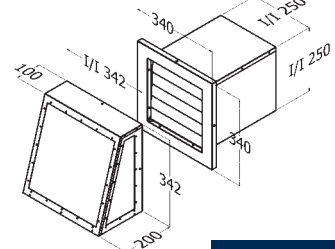
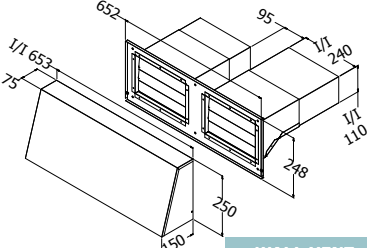
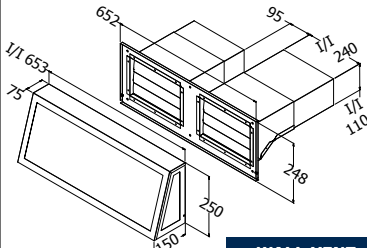
TWIN MOTOR DUCTING

		
<p>228. BD/WV-250 SQ Back Draft Wall Vent 250SQ</p>	<p>229. BD/WV-250 SQ SS Back Draft Wall 250SQ 445M2 Stainless Steel</p>	<p>230 BD/RC-2 Back Draft Roof Cowl Twin Motor</p>
		
<p>231. BD/RC-2 CB Back Draft Roof Cowl Twin Motor Colourbond</p>	<p>232. CH-300 Chairman's Hat 300Ø</p>	<p>233. CH-300 CB Chairman's Hat 300Ø Colourbond</p>
		
<p>234. BD/SQ-RC 300 Back Draft Roof Cowl 300Ø</p>	<p>235. BD/RC-250 SQ Back Draft Roof Cowl 250SQ</p>	<p>236. DLE-2-S/S CAP Stainless Steel Flue Cap to Suit DLE-2</p>
		
<p>237. CF 10/12/1500H Ceiling Flange to Suit 10/12/1500H</p>	<p>238. CF 3F-900-2 Ceiling Flange to Suit 3F 900-2</p>	<p>239. CF 3F-1200-2 Ceiling Flange to suit 3F 1200-2</p>
		
<p>240. CF 4F-900-2 Ceiling Flange to Suit 4F 900-2</p>	<p>241. CF 4F-1200-2 Ceiling Flange to suit 4F 1200-2</p>	<p>242. WVC-H-2 Wall Vent Cover Twin Motor Horizontal</p>

TWIN MOTOR DUCTING

		
<p>243.WVC-H-2 SS Wall Vent Cover Twin Motor Horizontal 445M2 Stainless Steel</p>	<p>244.WVC-V-2 Wall Vent Cover Twin Motor Vertical</p>	<p>245.WVC-V-2 SS Wall Vent Cover Twin Motor Vertical 445M2 Stainless Steel</p>
		
<p>246.WVC-250 SQ Wall Vent Cover 250SQ</p>	<p>247.WVC-250 SQ SS Wall Vent Cover 250SQ 445M2 Stainless Steel</p>	<p>248.WVC-10/12/15H-R/R Wall Vent Cover to suit 10/12/1500H</p>
		
<p>249.10/12/15H-SC Spigot Cap to Suit 10/12/1500H</p>	<p>250.DD-2H-L Duct Director Twin Motor Horizontal Left</p>	<p>251.DD-2H-R Duct Director Twin Motor Horizontal Right</p>
		
<p>252.DD-2V-L Duct Director Twin Motor Vertical Left</p>	<p>253.DD-2V-R Duct Director Twin Motor Vertical Right</p>	<p>254.EV/DL-2 Eave Vent to Suit DL-2</p>
		
<p>255.BD/M-250SQ Back Draft Damper Twin Motor 250SQ</p>	<p>256.BD/WV-300Ø Back Draft Wall Vent</p>	<p>257.BD/WVC-SBS Twin Motor Wall Vent Deflector</p>

TWIN MOTOR DUCTING

		
<p>258. CF 3F-1500-2 Ceiling Flange to Suit 3F 1500-2</p>	<p>259. RCP 300 SS Roof Cap 300Ø 445M2 Stainless Steel</p>	<p>260. RV 300 SS Roof Ventilation Cowl 300Ø 445M2 Stainless Steel</p>
		
<p>261. RC 300 SS Roof Cowl 300Ø 445M2 Stainless Steel</p>	<p>262. RC 2 SS Roof Cowl Twin Motor 445M2 Stainless Steel</p>	<p>263. FRC 300 SS Fire Rated Roof Cowl 300Ø 445M2 Stainless Steel</p>
		
<p>264. FRWV-H-2 SS Fire Rated Wall Vent Twin Motor Horizontal 445M2 Stainless Steel</p>	<p>265. FRWV-V-2 SS Fire Rated Wall Vent Twin Motor Vertical 445M2 Stainless Steel</p>	<p>266. FRWV-250 SQ SS Fire Rated Wall Vent Twin Motor 250SQ 445M2 Stainless Steel</p>
		<p>ROOF COWLS, WALL VENTS AND WALL VENT COVERS</p> <p>All the above ducting pieces are all made in stainless steel type 445M2 which has a chromium content of 22% which is far greater than marine grade stainless steel and provides better protection.</p> <p>This is stated on the description of each piece in the ducting brochure.</p>
<p>267. BD/WV/K-H-2 Kit assembled as one piece. Two Single Motor Back Draft Wall Vent Horizontal with telescopic length & cover</p>	<p>268. FRWV/K-H-2 Kit assembled as one piece. Fire rated Two Single Motor Back Draft Wall Vent Horizontal with telescopic length & cover</p>	

WALL VENT COVERS SPECIFICATIONS FIRE RATED APPROVED

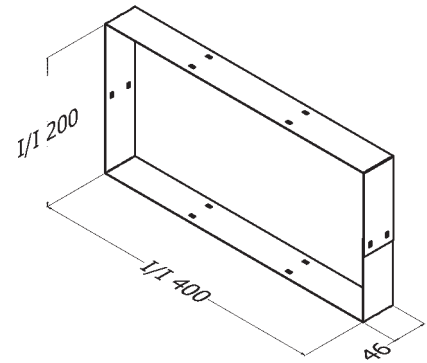
The wall vent covers have stainless steel screening type 316 and meets the requirements for stainless steel screening under the Australian Standard.

AS 3959-2009 Construction of Buildings in Bushfire prone areas.

TRIPLE MOTOR DUCTING

NOTE:

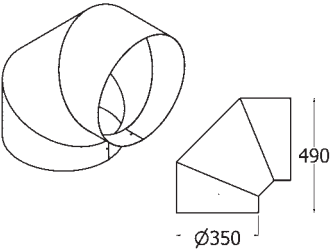
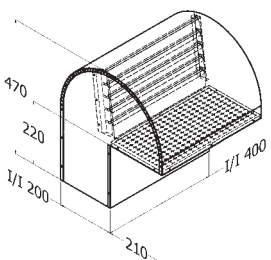
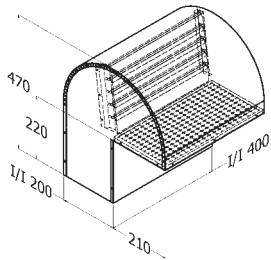
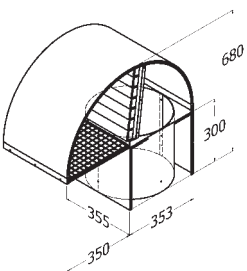
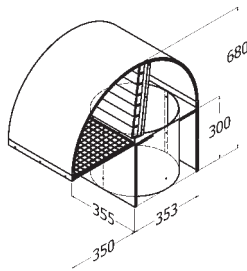
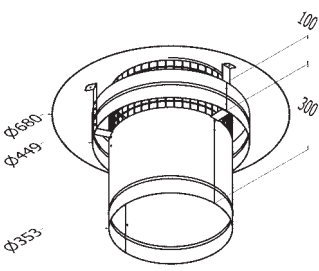
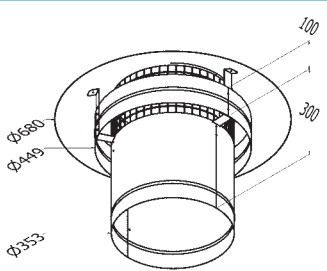
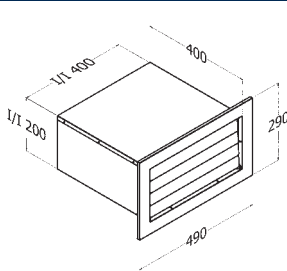
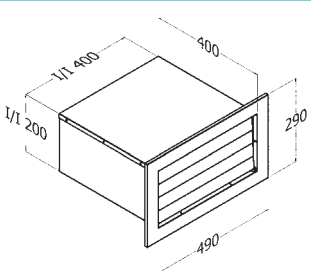
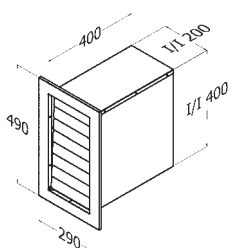
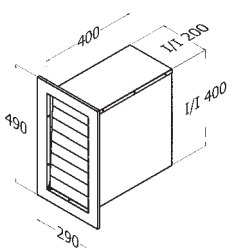
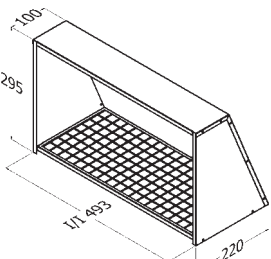
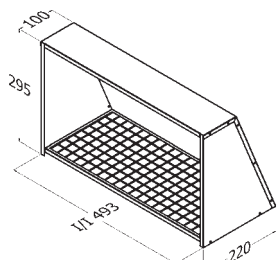
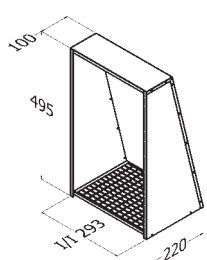
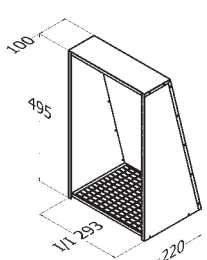
This Zinc Alume Strip is provided to join some duct pieces together. It will be clearly shown on the drawing of the piece it is supplied with.



I/I: Inside to Inside Measurement

<p>301. 3MT-DL-3 Three Motor Transition to DL-3</p>	<p>302. DL-3 Triple Motor Duct Length</p>	<p>303. HB-3 Horizontal Bend Triple Motor 90°</p>
<p>304. HB-3/45 Horizontal Bend Triple Motor 45°</p>	<p>305. VB-3 Vertical Bend Triple Motor 90°</p>	<p>306. VB-3/45 Vertical Bend Triple Motor 45°</p>
<p>307. TT-3 Triple Motor Twisted Transition</p>	<p>308. TMT-400x200/350 Triple Motor Transition DL-3 to 350Ø</p>	<p>309. TR-3 Triple Motor Transition to 350Ø</p>
<p>310. DR-350 Duct Length 350Ø</p>	<p>311. DR-350 CB Duct Length 350Ø Colourbond</p>	<p>312. DR-350/45 350Ø Bend 45°</p>

TRIPLE MOTOR DUCTING

		
<p>313. DR-350/90 350Ø Bend 90°</p>	<p>314. BD/RC-3 Back Draft Roof Cowl Triple Motor</p>	<p>315. BD/RC-3 SS Back Draft Roof Cowl Triple Motor 445M2 Stainless Steel</p>
		
<p>316. BD/SQ-RC 350 Back Draft Roof Cowl Triple Motor 350SQ</p>	<p>317. BD/SQ-RC 350 SS Back Draft Roof Cowl 350Ø 445M2 Stainless Steel</p>	<p>318. CH-350 Chairmans Hat 350Ø</p>
		
<p>319. CH-350 CB Chairmans Hat 350Ø Colurbond</p>	<p>320. BD/WV-H-3 Back Draft Wall Vent Triple Motor Horizontal</p>	<p>321. BD/WV-H-3 SS Back Draft Wall Vent Triple Motor Horizontal 445M2 Stainless Steel</p>
		
<p>322. BD/WV-V-3 Back Draft Wall Vent Triple Motor Vertical</p>	<p>323. BD/WV-V-3 SS Back Draft Wall Vent Triple Motor Vertical 445M2 Stainless Steel</p>	<p>324. WVC-H-3 Wall Vent Cover Triple Motor Horizontal</p>
		
<p>325. WVC-H-3 SS Wall Vent Cover Triple Motor Horizontal 445M2 Stainless Steel</p>	<p>326. WVC-V-3 Wall Vent Cover Triple Motor Vertical</p>	<p>327. WVC-V-3 SS Wall Vent Cover Triple Motor Vertical 445M2 Stainless Steel</p>

TRIPLE MOTOR DUCTING

<p>328. DD-3V-L Duct Director Triple Motor Vertical Left</p>	<p>329. DD-3V-R Duct Director Triple Motor Vertical Right</p>	<p>330. BD/WV-350Ø Back Draft Wall Vent</p>
<p>331. FRWV-H-3 SS Fire Rated Wall Vent Triple Motor Horizontal</p>	<p>332. FRWV-V-3 SS Fire Rated Wall Vent Triple Motor Vertical</p>	<p>333. FRC 350 SS Fire Rated Roof Cowl 350Ø 445M2 Stainless Steel</p>
		<p>ROOF COWLS, WALL VENTS AND WALL VENT COVERS</p> <p>All the above ducting pieces are all made in stainless steel type 445M2 which has a chromium content of 22% which is far greater than marine grade stainless steel and provides better protection.</p> <p>This is stated on the description of each piece in the ducting brochure.</p>
<p>334. BD/WV/K-H-3 Kit assembled as one piece. Three Single Motor Back Draft Wall Vent Horizontal with telescopic length & cover</p>	<p>335. FRWV/K-H-3 Kit assembled as one piece. Fire rated Three Single Motor Back Draft Wall Vent Horizontal with telescopic length & cover</p>	<p>WALL VENT COVERS SPECIFICATIONS FIRE RATED APPROVED</p>

ROOF COWLS, WALL VENTS AND WALL VENT COVERS

All the above ducting pieces are all made in stainless steel type 445M2 which has a chromium content of 22% which is far greater than marine grade stainless steel and provides better protection.

This is stated on the description of each piece in the ducting brochure.

WALL VENT COVERS SPECIFICATIONS FIRE RATED APPROVED

The wall vent covers have stainless steel screening type 316 and meets the requirements for stainless steel screening under the Australian Standard.

AS 3959-2009 Construction of Buildings in Bushfire prone areas.

INSTALLATION IDEAS

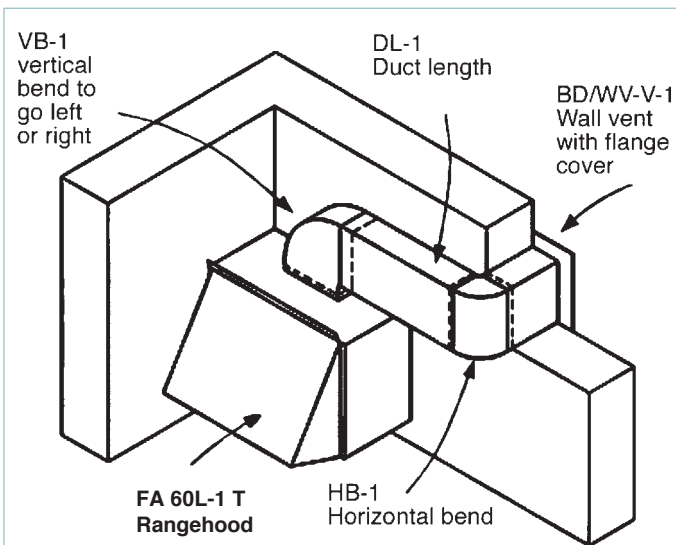
Condari recommends Qasair and Condor Rangehoods be installed using ducting that is:

- rigid
- non-flammable
- correctly sized

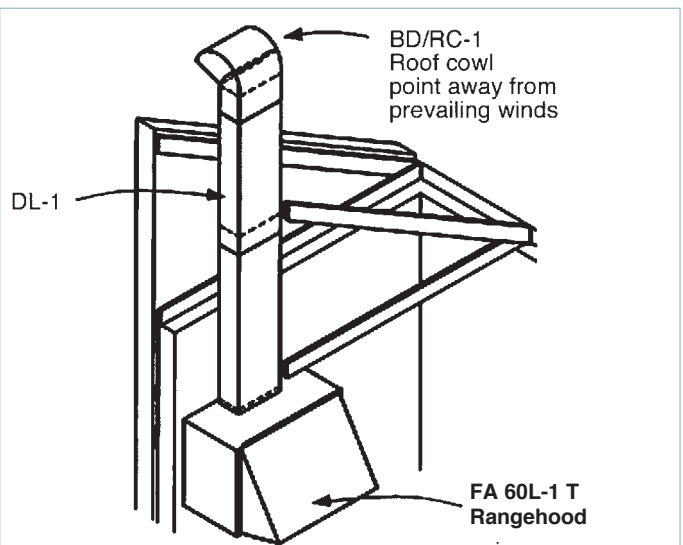
to ensure maximum air movement and minimum noise levels.

Ducting incorrectly with flexible or smaller diameter ducting will dramatically reduce the air movement and increase the noise level of the rangehood and will void the manufacturer's warranty.

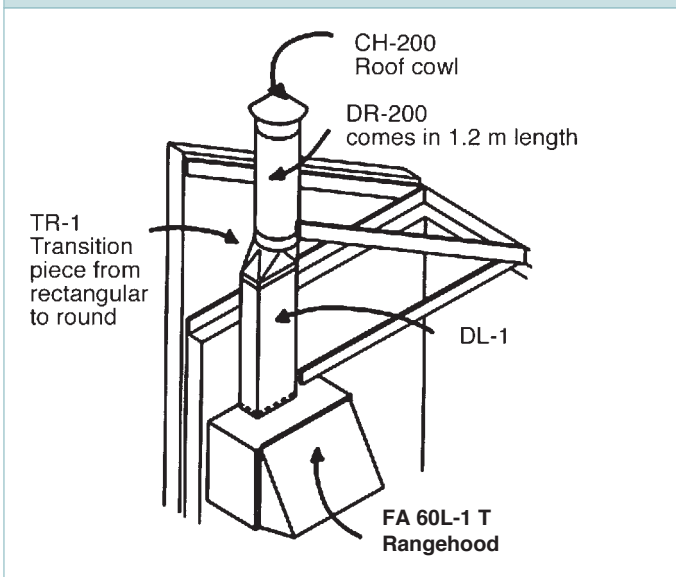
The Installation Ideas below will give you some guidelines on how to correctly duct your Qasair and Condor Rangehood using Qasair and Condor ducting pieces.



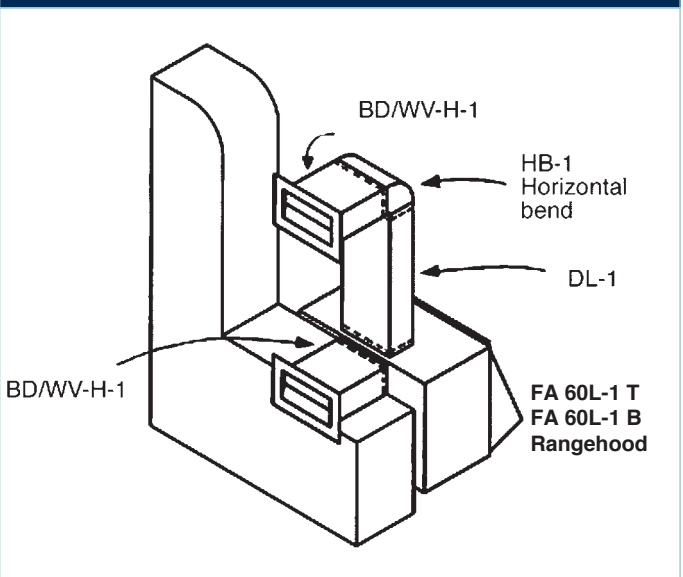
3. FA 60L-1 T



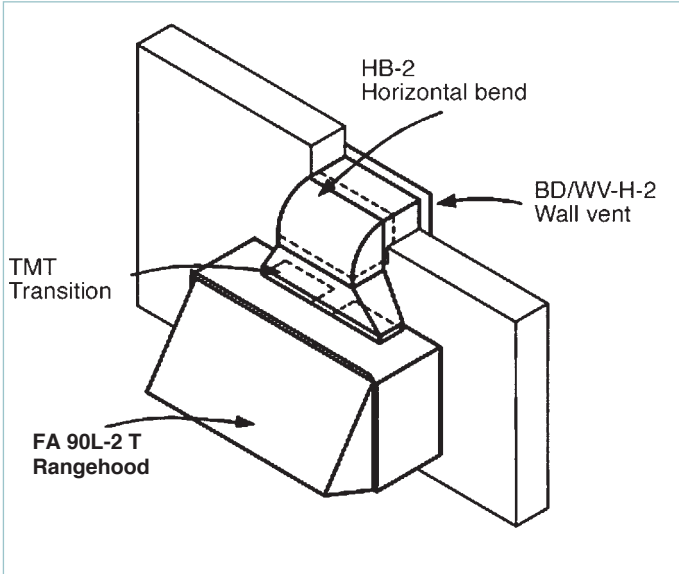
4. FA 60L-1 T



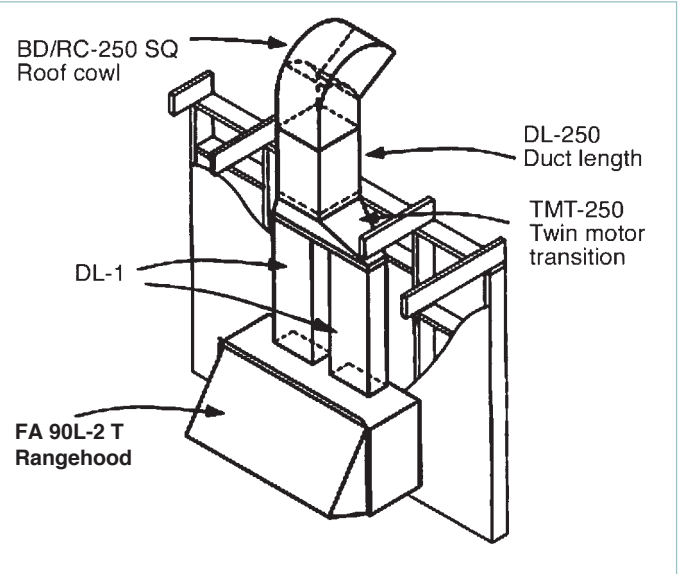
5. FA 60L-1 T



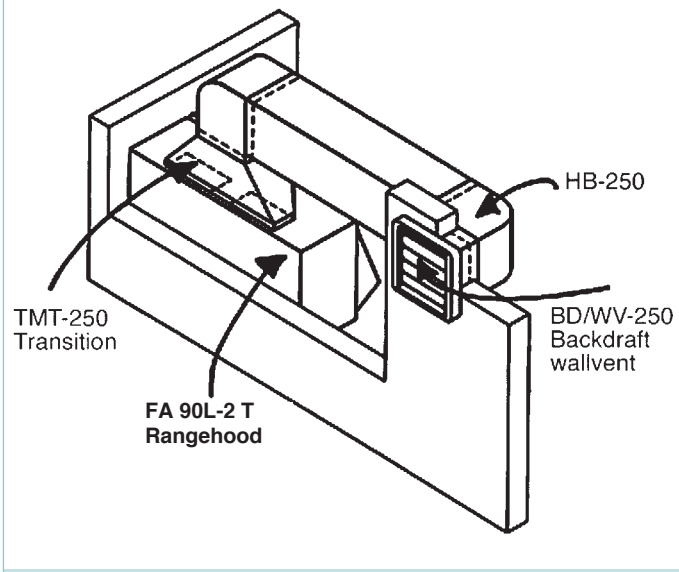
6. FA 60L-1 T / FA 60L-1 B



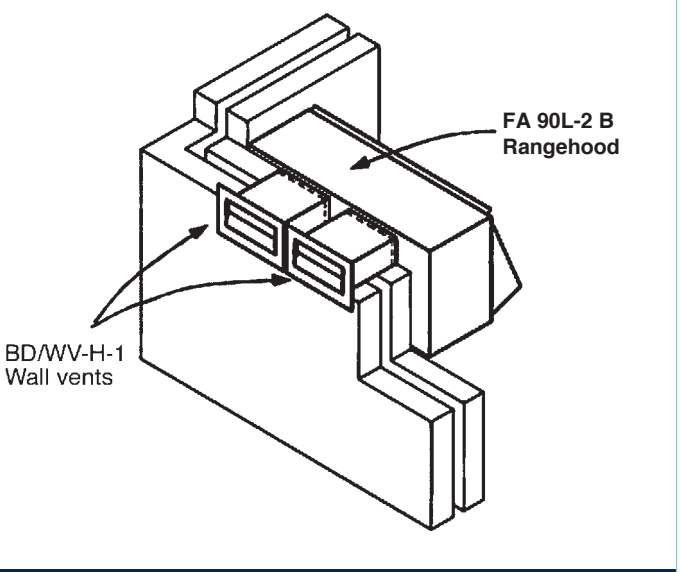
7. FA 90L-2 T



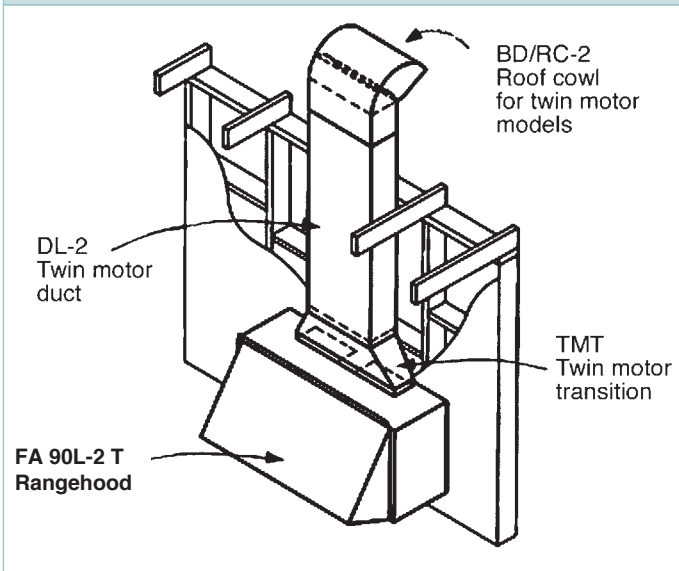
8. FA 90L-2 T



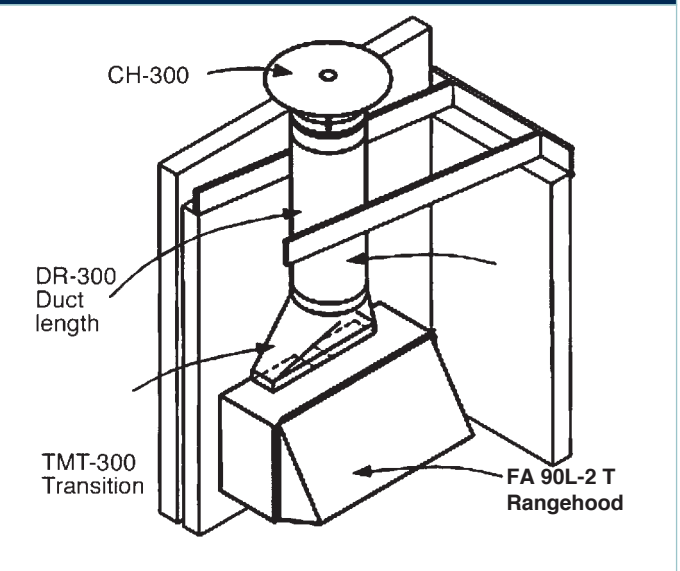
9. FA 90L-2 T



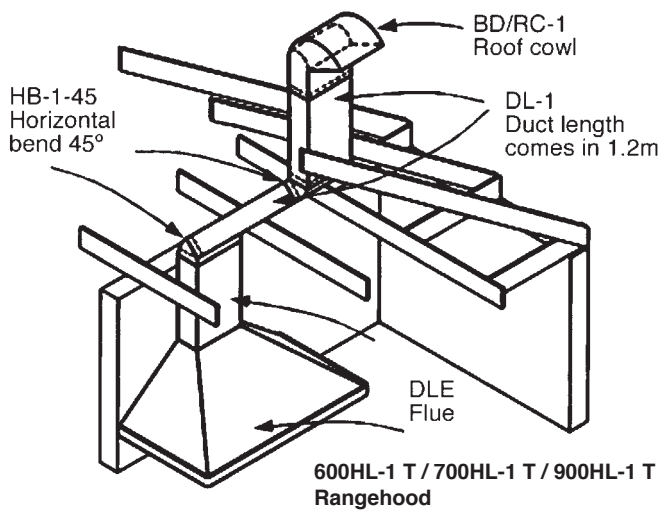
10. FA 90L-2 B



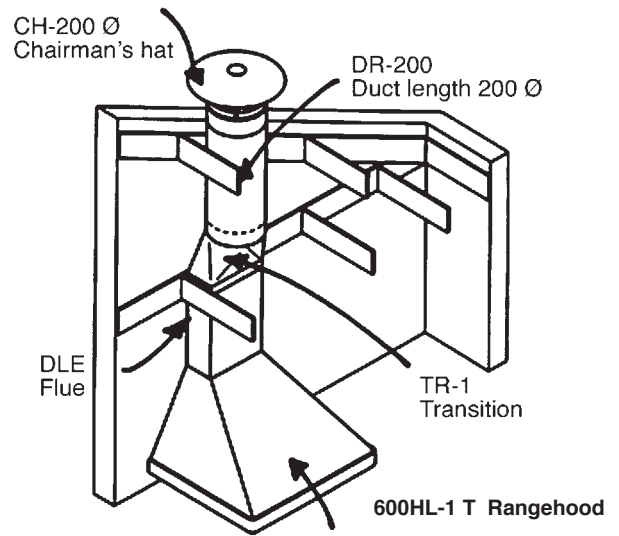
11. FA 90L-2 T



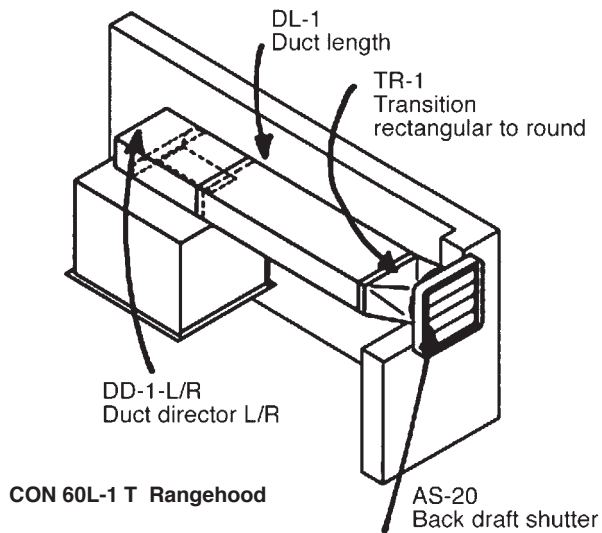
12. FA 90L-2 T



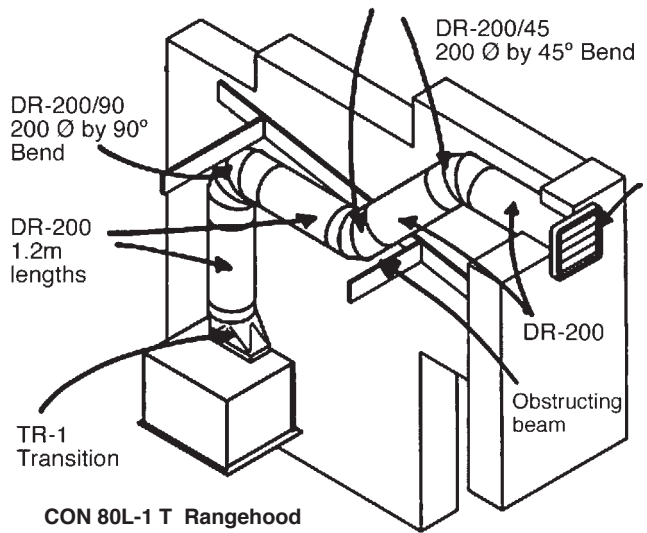
13. 600HL-1 T / 700HL-1 T / 900HL-1 T



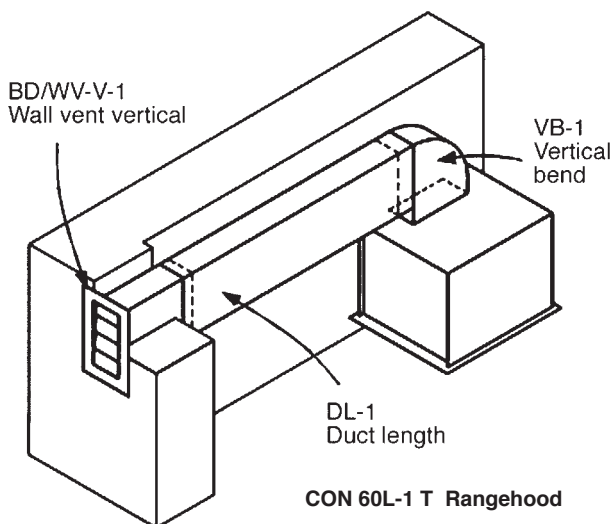
14. 600HL-1 T



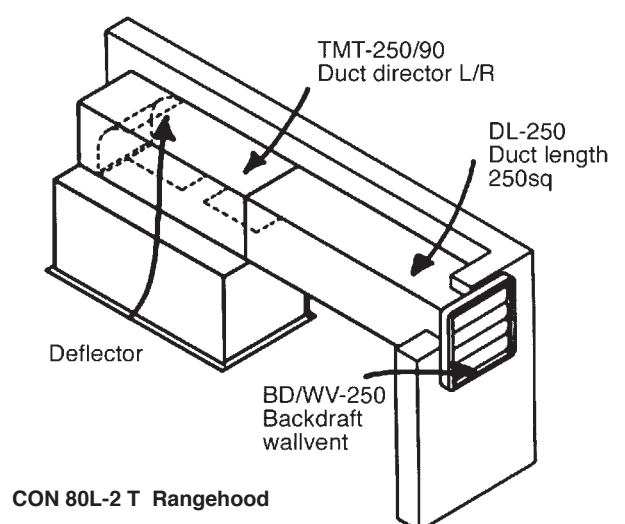
15. CON 60L-1 T



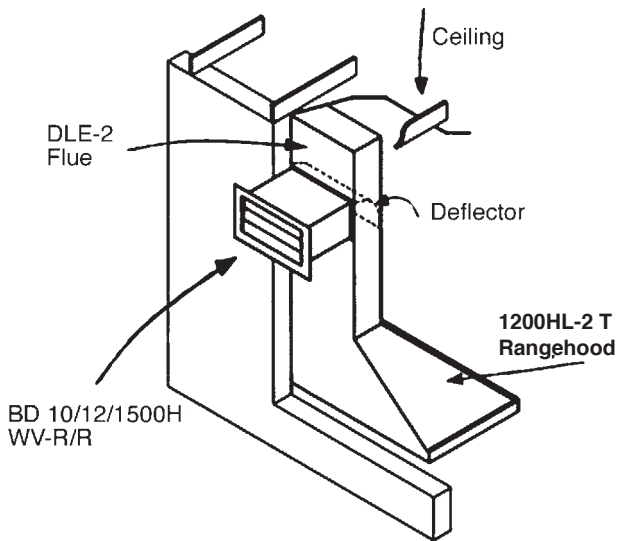
16. CON 80L-1 T



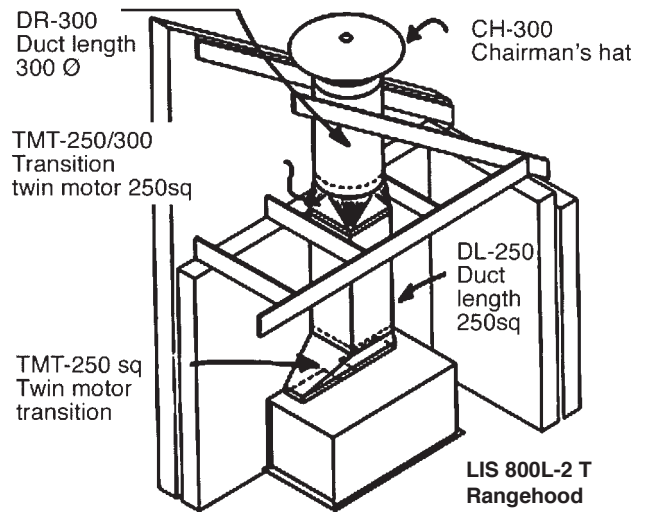
17. CON 60L-1 T



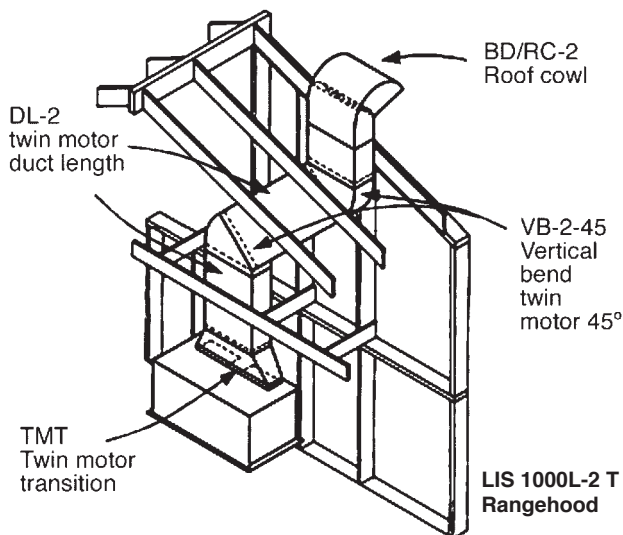
18. CON 80L-2 T



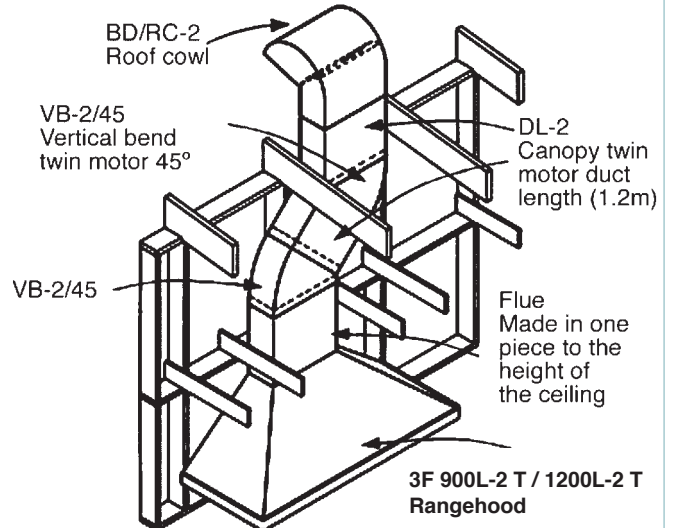
19. 1200HL-2 T



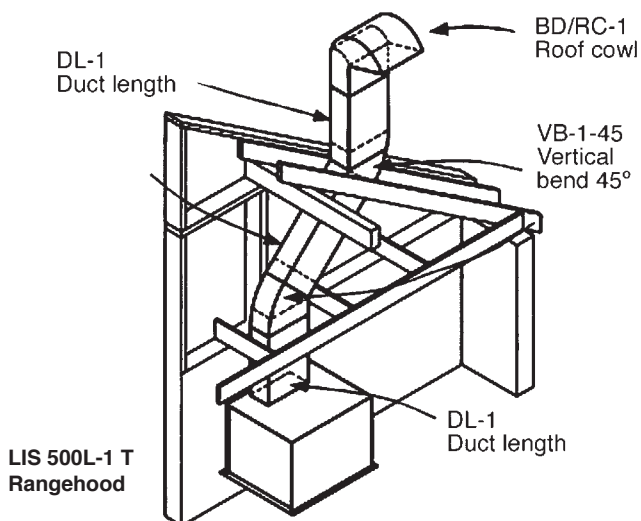
20. LIS 800L-2 T



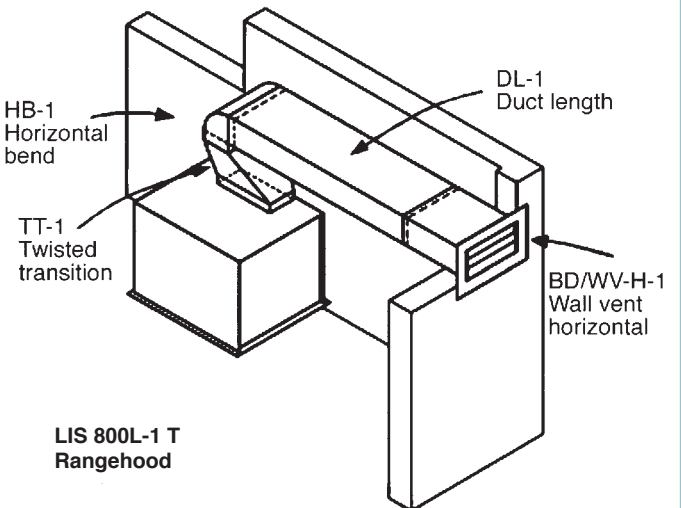
21. LIS 1000L-2 T



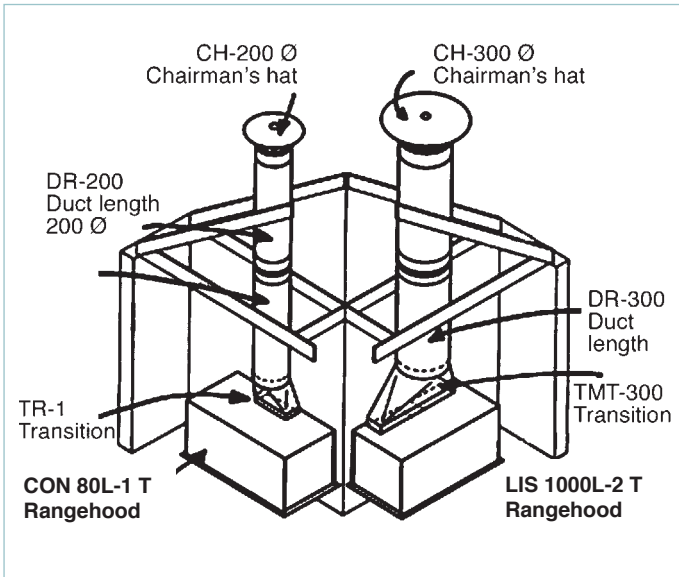
22. 3F 900L-2 T / 1200L-2 T



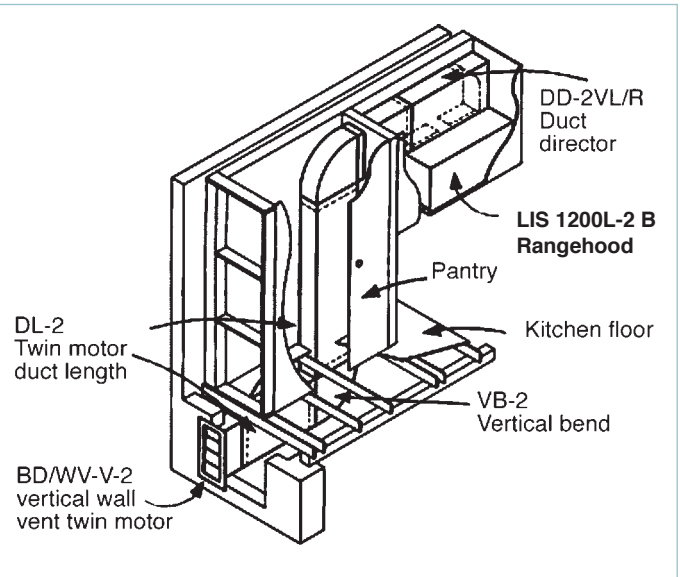
23. LIS 500L-1 T



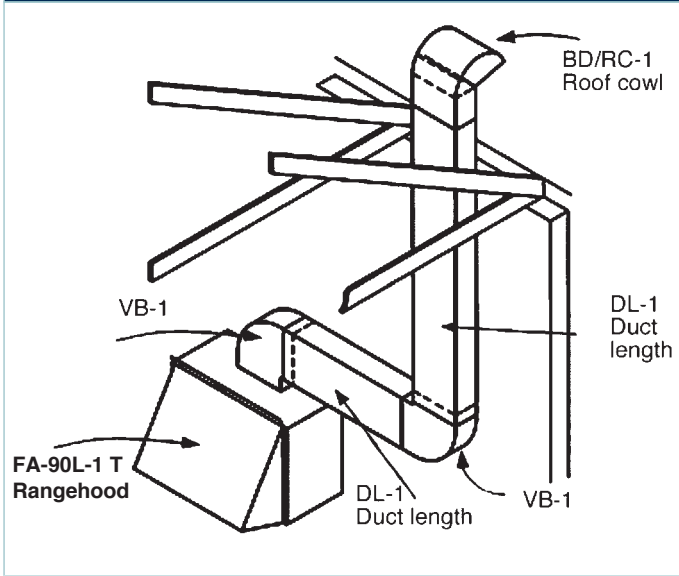
24. LIS 800L-1 T



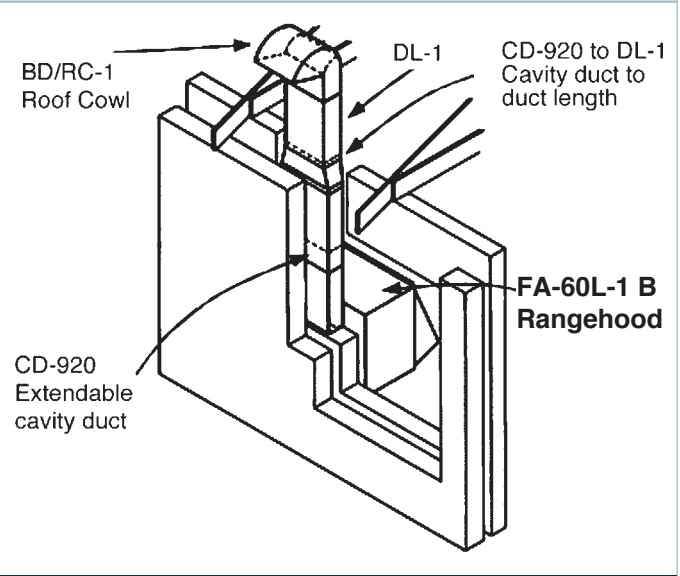
25. CON 80L-1 T / LIS 1000-2 T



26. LIS 1200L-2 B

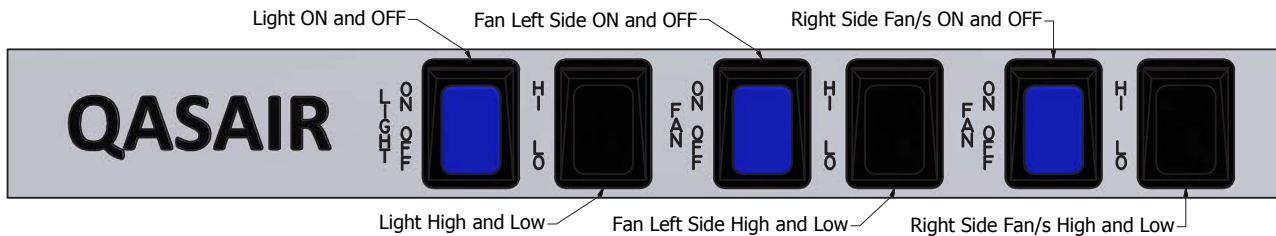


2. FA 90L-1 T



1. FA 60L-1 B

OPERATION DETAILS



RANGEHOOD CLEANING

Qasair Rangehoods are made from stainless steel, either type 304 or type 316.

* Type 304 is classified as 18/8 stainless steel

* Type 316 is classified as 18/10 stainless steel

This means that the stainless steel is made of 18% nickel and either 8% or 10% of chromium respectively. Stainless steel gets its protective coating from the chromium oxidising in the air to form a protective surface of chromium oxide. This can be attacked by different substances, such as salt water or sea air. The stainless steel will start to show pit marks which are referred to in the industry as tea staining. This will happen to marine grade stainless steel type 316 in the same way it will happen to stainless steel type 304, it will just take longer to happen.

The way to overcome this is to clean the stainless steel with warm soapy water and then polish it with a cloth so that the chromium will oxidise again.

When exposed to sea water or sea side conditions this is only a stop gap measure as the attack will start again.

With stainless steel rangehoods exposed in Alfresco areas we recommend spraying the hood with vegetable oil and rubbing it all over the rangehood, if it is going to be unused over a period of time.

FILTER CLEANING

For the best results, please clean filters regularly.

Condari recommends cleaning filters once per month, or immediately after heavy use.

You can do this by hand washing in warm soapy water, or by placing filters in the top rack of the dishwasher using a detergent of pH 8 or less.

Note: Washing the filters in the dishwasher may cause discolouration of the filters.

We recommend washing filters in the dishwasher without detergent or use one of the powder detergent.

Ensure the filters are completely dry before placing them back.

Do not operate the rangehood without the filters installed.

Condari does not recommend the use of corrosive, caustic or acidic products, particularly industrial or citric products.

Condari has experienced problems with many of the dishwashing detergents now on the market.

Particularly with the tablet type detergents as many come from overseas, which are made for a hard water environment. We have found that these detergents have a deleterious effect on the filters and the result is that the filters last for about 50 to 60 washes.

This is equivalent to about 5 to 6 years life.

CONDARI PTY LTD APPLIANCE GUARANTEE

The benefits conferred by this warranty are in addition to all other rights and remedies in respect of the product which the consumer has under the Competition and Consumer Act 2010 and similar state and territory laws.

Condari P/L in Melbourne (and by their agency in Country Areas and other States) warrants that the appliance will be free from defects in materials and workmanship for a period of 36 months from the date of purchase of the appliance to the consumer.

If there is a breach of this warranty, Condari will rectify, free of charge, at its nearest service centre or authorised service agency any fault caused by faulty workmanship or material at the time of manufacture occurring in the appliance within 36 months from the date of purchase of the appliance to the customer.

This warranty is conditional upon the appliance being used only for personal, domestic and household purposes and installed and operated in accordance with QASAIR Instructions and does not apply to articles which by their nature are consumable.

If a defect is caused by neglect, misuse, or failure to follow operating instructions where special precautions are detailed for user attention then a charge shall be made for the service call.

For example:

With the filters the user is specifically requested:

- To clean filter regularly by handwashing or placing in a dishwasher at least once a month.
- To turn rangehood off after each use.
- Note: Warranty under filter cleaning on page 59

Where a claim is made under warranty, CONDARI reserves the right to determine whether or not the fault is caused by faulty workmanship or material or that the part is defective.

The consumer shall be fully responsible for all expenses whatsoever incidental to the removal of parts from the unit or to their replacement. Amongst other things, such responsibility shall extend to damaged walls, tiles, fixtures and fittings whether or not the unit has been built into a cupboard and irrespective of the stage either of its installation or the fitting of any other item whatsoever in its vicinity.

No other person, or firm or corporation is authorised by Condari to offer or give on its behalf any other greater warranty than that given by Condari under this warranty.

Condari Pty Ltd provides to all QASAIR Rangehoods a 10 year motor replacement warranty. This is a change over warranty.

The installation of the rangehood must comply with the information in this guide. Failure to follow the instructions may result in loss of the warranty.

We do point out that incorrect installation such as the ducting being the incorrect size or the duct run being too long will result in the motor failing and possible burning out.

The change over will be carried out by a authorized technician and will be charged at the rates applicable at time of the change over.

EXCLUSIONS

There are some exclusions from the Condari Pty Ltd Guarantee. (on previous page)

CONDOR Rangehoods are designed to be used over all domestic barbecues available in AUSTRALIA.

QASAIR Rangehoods are not to be used over barbecues approved for outdoor use only.

Outdoor barbecues will have a rating plate on them specifying that they are approved for outdoor use only and also a mega joule rating per burner or a total mega joule rating.

In practice any barbecue or outdoor cooking appliance over 50 mega joule will need a specially made rangehood with an air movement exceeding 2000 cubic meters per hour.

QASAIR have hoods to go over domestic cookers such as VIKING, WOLF and CAPITAL cooking appliances. These brands have a mega joule rating of up to 95 mj and therefore special hoods are required for the appliances.

CONDARI will manufacture special rangehoods to go over commercial cooking appliances situated in domestic kitchens.

Once the heat output is over 50 mega joule a special rangehood is required.



STANDARD WARRANTY

Date purchased _____

Purchased from _____

Model _____

Serial No _____

The purchaser must fill in the above information and keep this with the original purchase document. This form must be produced if and when a claim is made under this warranty.

QASAIR Rangehoods are made in Ringwood, Australia.

Tel: +61 3 9482 7088

Fax: +61 3 9482 7011

Email: sales@condari.com.au

Please Note that the Warranty is from the date of installation and the service technician will need to see proof of purchase so he can provide service under the guarantee.

If no proof of purchase then the service call will be charged at standard rates and if proof provided later, reimbursement will be made.



EXTENDED WARRANTY

Condari Pty Ltd provides an extended warranty from 36 months to 72 months if installed by an authorised Qasair installer and the below form is completed.

The authorised installer also offers a warranty on their workmanship for the same period of 72 months with a guarantee that the installation is in compliance with 'Qasair installation instructions'.

Customer Name: _____

Model Number: _____ Serial Number: _____

Purchased from: _____

Purchased Date: _____ Installed Date: _____

Installer Name: _____

Installer Signature: _____

Condari Pty Ltd authorised installer stamp:
(This is required for validity of extended warranty)

Please note: The installation warranty does not cover the ageing process in a building or any problems due to storm damage.



DISTRIBUTED IN AUSTRALIA BY CONDARI PTY LTD

Tel: 1300 360 563

HEAD OFFICE

VIC Tel: 03 9482 7088 Fax: 03 9482 7011

Email: sales@condari.com.au

Website: www.condari.com.au

YOUR DISTRIBUTORS

NSW/ACT	Tel: 02 9316 4599	Fax: 02 9316 9299	Email: salesnsw@qasair.com.au
QLD	Tel: 07 3423 3503	Fax: 07 3282 9122	Email: salesqld@qasair.com.au
WA	Tel: 08 9242 5387	Fax: 08 9201 0887	Email: saleswa@qasair.com.au
SA/NT	Tel: 1300 360 563	Fax: 03 9482 7011	Email: salessa@qasair.com.au
TAS	Tel: 03 9482 7088	Fax: 03 9482 7011	Email: sales@qasair.com.au

New Zealand

Kouzina Appliances

Email: sales@kouzina.co.nz

Singapore

Eldric Marketing Pte Ltd

Email: enquiry@eldric.sg

CONDARI RESERVES THE RIGHT TO CHANGE SPECIFICATION WITHOUT NOTICE
QASAIR RANGEHOODS MADE IN RINGWOOD 3134

rev. 150318



www.condari.com.au