

# NEFF T14T42N2 - ELECTRIC COOKTOP 60CM



◀60▶

## T14T42N2

### HEATING FUNCTIONS

- ▶ 4 QuickLight cooking zones including 1 dual and 1 extendible zone

### SPECIAL FEATURES

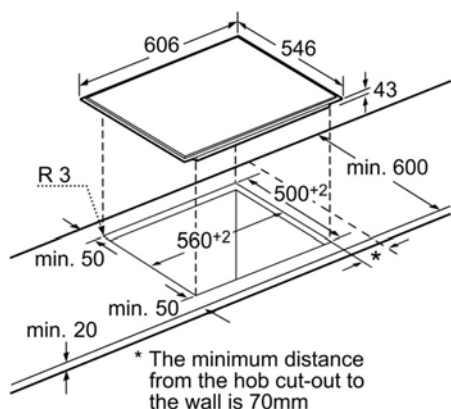
- ▶ TwistPad magnetic control
- ▶ LED display
- ▶ Main on/off switch
- ▶ Keep warm function
- ▶ Time program function
- ▶ 17 power levels for each zone
- ▶ Residual heat indicator
- ▶ Cleaning lock function
- ▶ Child safety lock
- ▶ Automatic safety switch off

### DESIGN

- ▶ Black ceramic glass with stainless steel trim

### TECHNICAL INFORMATION

- ▶ Front left zone diameter 18cm
- ▶ Back left zone diameter 17/26.5cm
- ▶ Front right zone diameter 14.5/21cm
- ▶ Back right zone diameter 14.5cm
  
- ▶ Front left zone 1.8 kWh
- ▶ Back left zone 1.8/2.6 kWh
- ▶ Front right zone 1/2.2 kWh
- ▶ Back right zone 1.2 kWh



Measurements in mm

### ELECTRIC COOKTOP INSTALLATION NOTE.

All electric cooktops must have an intermediate floor installed beneath covering the full width of cooktop. If an oven/compact appliance is installed directly beneath an electric cooktop no intermediate floor is required providing the oven/compact appliance restricts access to the entire underside of cooktop.