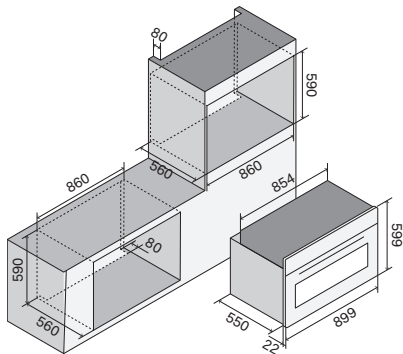


OV91SNT3

90 cm electronic oven, stainless steel or painted steel,
90 cm, 30-300°C



General features

- Energy class A
- Operating temperature 30-300°C
- Programmer TFT touch control
- Electronic temperature control
- Cooking probe
- Lighting Double internal light
- Automatic light switch-on when door opens
- Full glass oven door
- Soft-closing door
- Door glass Triple glass cold door (EN60335-2-6-11.101)
- High density insulation
- Ventilation cooling tangential
- Child safety

Cavity features

- Muffle with easy clean enamel
- Internal dimensions 74x36,5x41 cm
- Capacity 110 L
- Steam discharge controlled with dry or moist cooking option
- Folding grill heating element
- Rotisserie spit diagonal
- Thermostat with electronic probe

Consumptions

- Maximum input 3,7 kW
- Top electrical heating element 1300 W
- Bottom electrical heating element 1470 W
- Electric grill 2340 W
- Circular heating element 2290 W

Colour range



Finishes



Functions

