

FISHER & PAYKEL

ACTIVESMART™ REFRIGERATOR

CONTEMPORARY

FRENCH DOOR REFRIGERATOR FREEZER ICE & WATER: RF505ANUX1, RF505ANUB1

FRENCH DOOR REFRIGERATOR FREEZER NON-ICE & WATER: RF505ANX1

REFRIGERATOR FREEZER NON-ICE & WATER: RF505BRNX1, RF505BRNB1, RF505BRNQX1

REFRIGERATOR FREEZER ICE & WATER: RF505BRNUX1

INSTALLATION GUIDE

NZ AU BI SG

CONTENTS

Safety and warnings	5
Supplied parts	6
Before installation	6
Product dimensions	7
Cabinetry dimensions	8
Unpacking and moving your appliance	9
Water connection	10
Flushing the water filter	11
Hinge swap (optional - bottom mount non-ice & water models only)	12
Positioning your refrigerator	15
Complete installation	16
Final checklist	16

Registration

To register your product visit our website: fisherpaykel.com/register

⚠ WARNING!



Electric Shock Hazard

Failure to follow this advise may result in death, electric shock, fire or injury to persons.

- Read and follow the safety and warnings outlined in this guide before operating this appliance.

⚠ WARNING!



Risk of fire/flammmable material

This refrigerator contains flammable refrigerant isobutane (R600a).

READ AND SAVE THIS GUIDE

Use this appliance only for the intended purpose as described in the user guide.

When using this appliance always exercise basic safety precautions including the following:

- Keep ventilation openings, in the appliance enclosure or the built-in structure, clear of obstruction.
- Do not damage the refrigerant circuit.
- In case of damage to the refrigerant circuit, ventilate the area by opening all windows. Do not operate electrical equipment or any other equipment that may produce arcs, sparks or flames in the area. Contact your Fisher & Paykel trained and supported service technician immediately to arrange for the appliance to be repaired.
- It is hazardous for anyone other than a Fisher & Paykel trained and supported service technician to service this appliance.
- Your refrigerator is designed to operate for many years without the need for service checks. However, if your refrigerator is malfunctioning, have it attended to by your Fisher & Paykel trained and supported service technician as soon as possible. All electrical repairs must be carried out by an adequately trained service technician or qualified electrician.
- In Queensland the authorised service person must hold a gas work licence or authorisation for hydrocarbon refrigerants to carry out service or repairs which involve removal of covers.
- It is hazardous for anyone other than a Fisher & Paykel trained and supported service technician to service this appliance.
- This refrigerating appliance is not intended to be used as a built-in appliance.

Electrical

- This appliance must be installed in accordance with the installation instructions before use.

- To allow disconnection of the appliance from the supply after installation, incorporate a switch in the fixed wiring in accordance with the wiring rules.
- Never unplug your refrigerator by pulling on the power cord. Always grip the plug firmly and pull straight out from the outlet.
- Do not plug in any other appliance at the same power point as your refrigerator or use extension cords or double adapters.
- Repair or replace immediately all electric service cords that have become frayed or otherwise damaged. Do not use a cord that shows cracks or abrasion along its length or at either the plug or appliance end.
- If the power supply cord is damaged, it must only be replaced by your Fisher & Paykel trained and supported service technician because special purpose tools are required.
- When moving your appliance away from the wall, be careful not to roll over or damage the power cord.
- Do not use electrical appliances inside the food storage compartments of the appliance, unless they are of the type recommended by the manufacturer.
- When positioning the appliance, ensure the power cord is not trapped or damaged.
- Do not locate multiple portable socket-outlets or portable power supplies at the rear of the appliance.

Water Filter FWC5 – for use with FPWF2 System

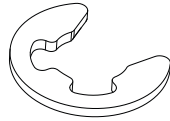
- To reduce the risk associated with choking:
 - DO NOT allow children under 3 years of age to have access to small parts during the installation of the water filter.
- The water connection to your Ice & water refrigerator must be installed by a qualified plumber or Fisher & Paykel trained and supported service technician and comply with all state and local laws.
- Installation and use MUST comply with all state and local plumbing codes. Check with your local public works department for plumbing codes. You must follow their guidelines as you install the water filtration system.
- **WARNING:** To avoid serious illness or death, only connect your water filter to safe drinking water. Do not use with water that is microbiologically unsafe or of unknown quality without adequate disinfection before or after the system. Systems Certified for Cyst Reduction may be used in disinfected waters that may contain filterable cysts.
- The water filter cartridge needs to be changed when the replacement indicator icon illuminates. This will happen every 6 months.
- If the water filtration system has been allowed to freeze, replace filter cartridge. Failure to replace the disposable filter at recommended intervals may lead to reduced filter performance and failure of the filter, causing property damage from water leakage or flooding.
- When installing the product use new tubing supplied with the refrigerator, DO NOT reuse any existing water connections.
- The water system is designed to operate between 276–827 kPa (40–120psi). Do not install if water pressure exceeds 827kPa (120psi). Max flow Rate: 1.89 litres (0.5 gallons) per minute.
- To reduce the risk associated with property damage due to water leakage or flooding:
 - DO NOT install systems in areas where ambient temperatures may go above 38°C or drop below 0°C.
 - DO NOT install on hot water supply lines. The water filter system is designed with a maximum inlet temperature of 38°C.
 - DO NOT install where water hammer conditions may occur. If water hammer conditions exist, you must install a water hammer arrester.
- For estimated costs of replacement parts contact our customer care on +64 9 273 0660 or visit our website at fisherpaykel.com

SUPPLIED PARTS

MISCELLANEOUS ITEMS PACK



User/Installation guide (1)

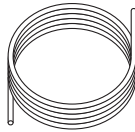


Hinge spacer (4)

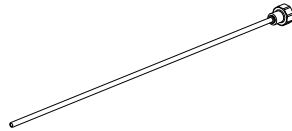
WATER FILTER KIT



Hose connector (2)



Water hose 4m (1)



Tap adaptor brass 1/4 OD
1/2 BSP (1)

BEFORE INSTALLATION

Please follow the installation steps below to ensure your appliance operates correctly.

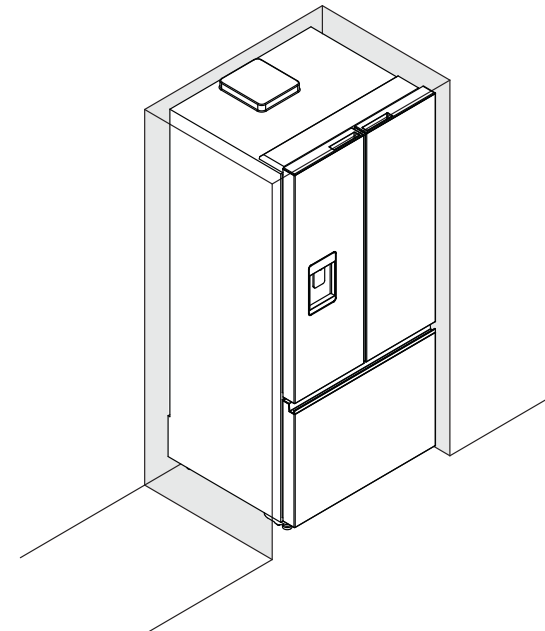
Before installation

Power

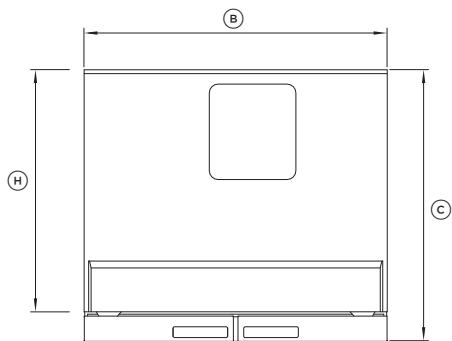
- Install your appliance where the plug is easily accessible.
- Connect your refrigerator to a separate power point. Avoid sharing the power point with other appliances. Do not use extension cords and double adaptors as the combined weight of two power cords can pull the double adaptor from the power outlet.
- For power requirements, refer to the information on the serial plate located at the front bottom right-hand side of the refrigerator when the door is open.
- Ensure your appliance is properly grounded (earthed).
- Connect the appliance to the electrical supply (220V - 240V 50Hz) with the fitted plug and lead.
- Connections to the mains supply should be in accordance with local regulations.

Ice & Water and Automatic Ice models

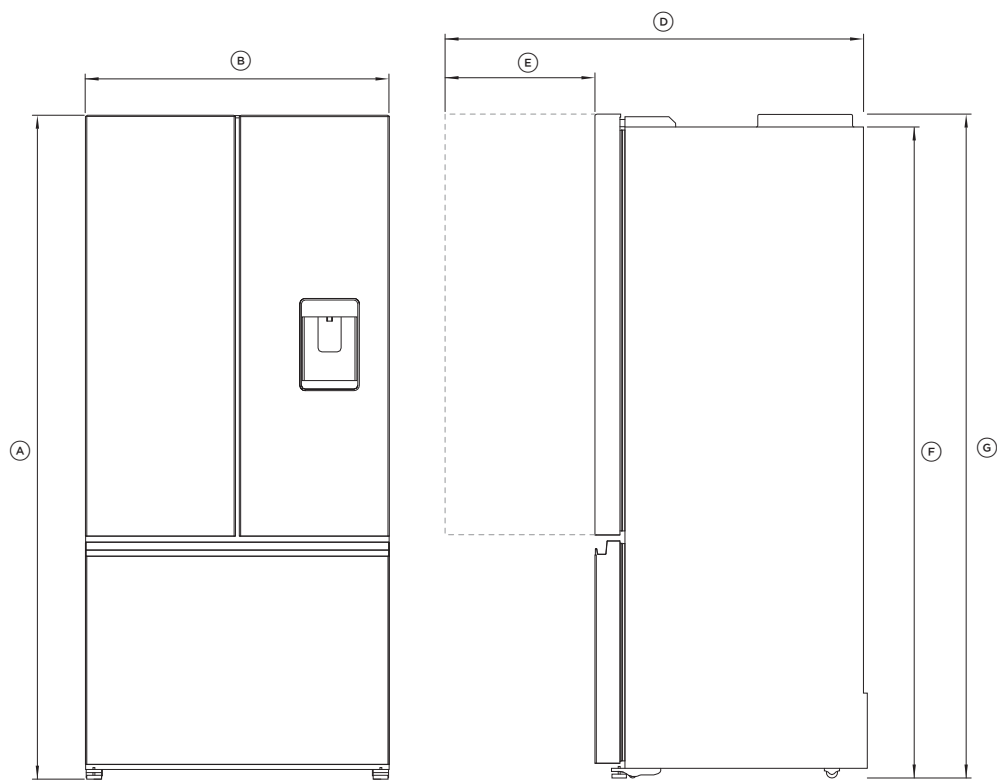
- Your Ice & Water and Automatic Ice refrigerator must be installed by a qualified plumber or Fisher & Paykel trained and supported service technician as incorrect plumbing can lead to water leaks.
- Fisher & Paykel Appliances does not accept responsibility for damage (including water damage) caused by faulty installation or plumbing.



PRODUCT DIMENSIONS



PLAN



FRONT

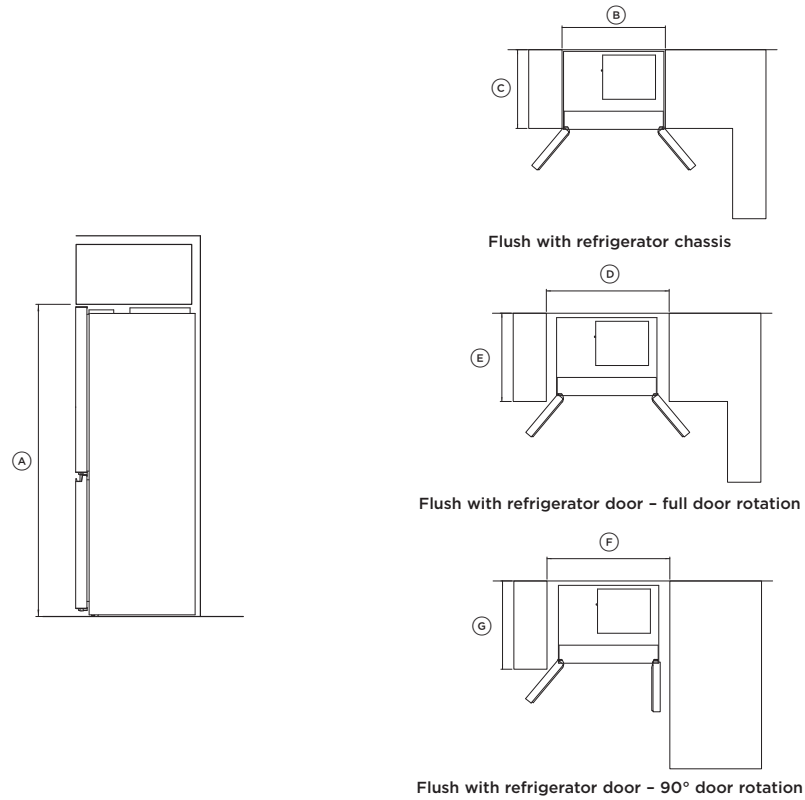
PROFILE

PRODUCT DIMENSIONS	MM
Ⓐ Overall height of product	1725
Ⓑ Overall width of product	790
Ⓒ Overall depth of product	707
Ⓓ Depth with door open – from rear of fridge – 90° rotation	
• French Door	1350
• Bottom-mount	1435
Ⓔ Depth with door open – from flush with door – 90° rotation	
• French Door	652
• Bottom-mount	735
Ⓕ Height to top of chassis	1669
Ⓖ Height to top of housing	1725
Ⓗ Depth of chassis	620

Actual product dimensions may vary by ± 2 mm

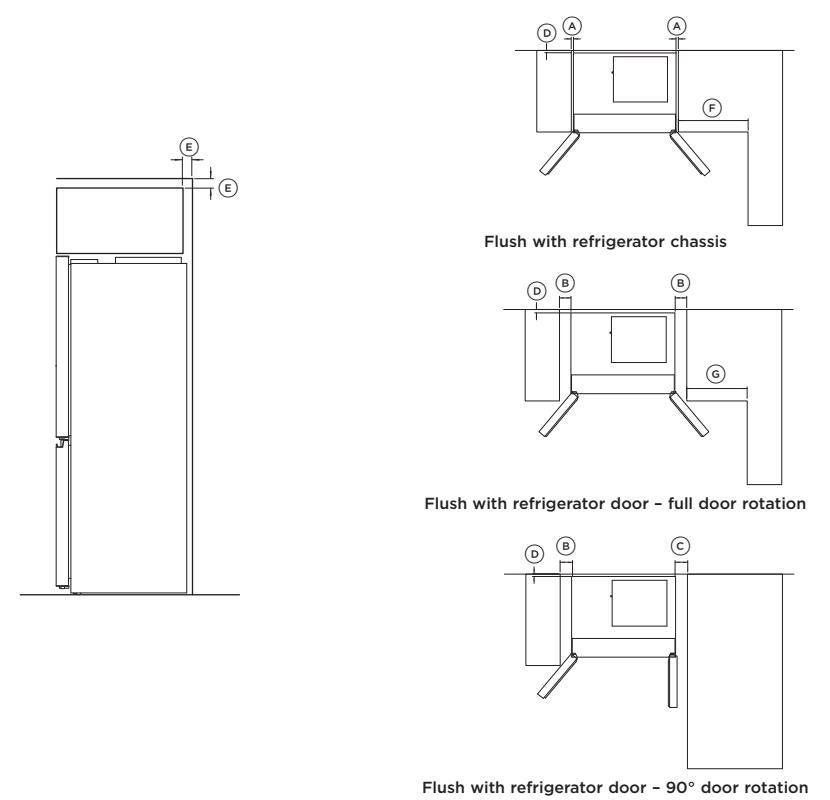
CABINETY DIMENSIONS

CUTOUT



CABINETY DIMENSIONS (incl. minimum air clearances)	MM
Ⓐ Inside height of cavity	1735
Flush with refrigerator chassis - full door rotation	
Ⓑ Inside width	830
Ⓒ Inside depth	659
Flush with refrigerator door - full door rotation	
Ⓓ Inside width	950
Ⓔ Inside depth flush to flat door	737
Flush with refrigerator door - 90° door rotation (for full drawer/shelf access, the doors need to be open past 90°)	
Ⓕ Inside width	910
Ⓖ Inside depth flush to flat door	737

CLEARANCES



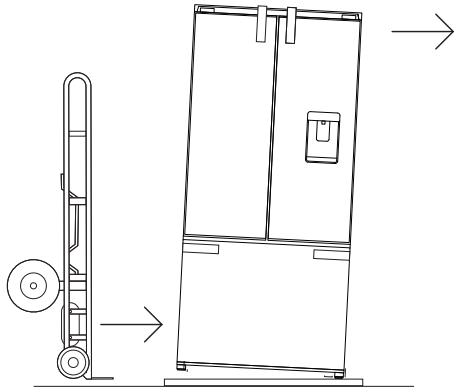
MINIMUM CLEARANCE DIMENSIONS	MM
Ⓐ Side clearance	20
Ⓑ Side clearance - hinge side flush with door - full rotation	80
Ⓒ Side clearance - hinge side flush with door - 90° rotation	60
Ⓓ Rear clearance	30
Ⓔ Vent (above refrigerator cabinet or around top of cupboard)	50
Ⓕ Door clearance - hinge side flush with chassis - full rotation	540
Ⓖ Door clearance - hinge side flush with door - full rotation	460

UNPACKING AND MOVING YOUR APPLIANCE

Check that your appliance is the correct model as per your order.

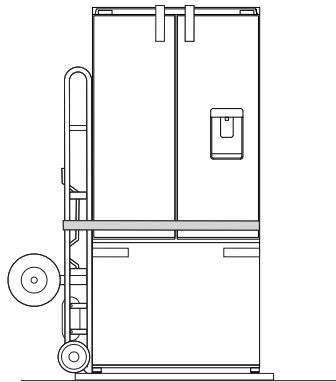
Follow the steps below to move your appliance to the install location. Be careful when tilting the appliance forward/backward. Tape the door shut to prevent opening while moving the appliance.

1



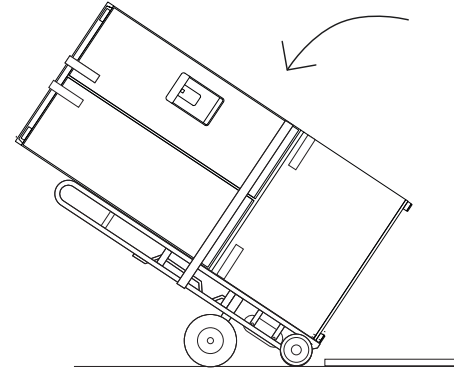
Tilt the appliance slightly forward and Insert the hand truck between pallet and appliance.

2



Restrain the appliance with a strap.

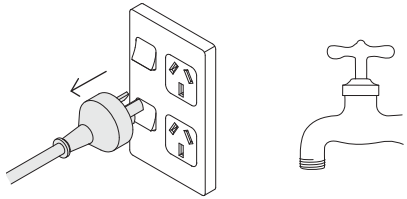
3



Tilt backward to load appliance onto hand truck and push to install location.

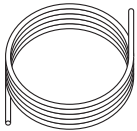
WATER CONNECTION

①



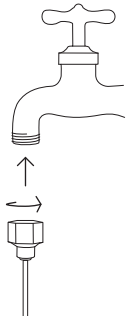
Ensure the refrigerator is not plugged into a power supply. Locate the isolation tap for cold water connection (tee and tap fitting not supplied).

②



Locate the water filter kit to complete the water connection installation.

③



Fasten the tap adaptor with short tube to the isolation tap. Tighten by hand and tighten one additional turn with a spanner. Take care not to overtighten.

④



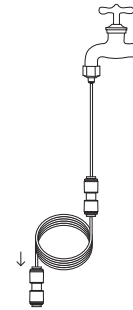
Insert the end of tap adaptor short tube into one end of the first hose connector as far as possible.

⑤



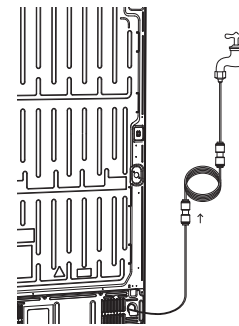
Insert one end of the water hose into the other end of hose connector as far as possible.

⑥



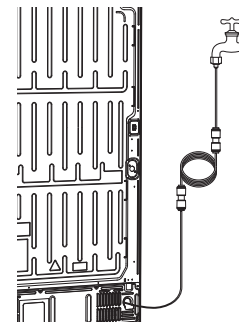
Insert the other end of the water hose into one end of the second hose connector as far as possible.

⑦



Connect the other end of the second hose connector to the hose attached to the back of the product.
Push the hose as far as possible into the connector.

⑧

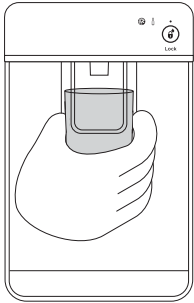


Check the connections, turn on the water supply and check for leaks.

FLUSHING THE WATER FILTER

ICE & WATER MODELS

To flush through the water dispenser:



Press the water dispenser pad to dispense 1L of water.


Wait for 3 minutes before dispensing again. Repeat this cycle 8 times. At least 8L of water needs to be flushed through the system. This prevents excessive dripping of water from your dispenser.

NOTE: There may be carbon residue dispensed together with water. This is not harmful, and normal during flushing process.

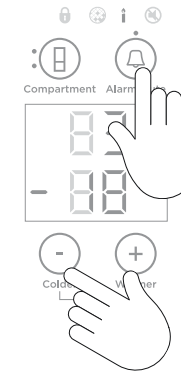
AUTOMATIC ICE MODELS


1



To turn your ice maker on press . The light above the button will illuminate.

2



Press the , **-** and **+** together for 4 seconds then close the doors. The ice tray will empty the water into the bin below. The ice tray will only empty after the doors are closed.

Repeat to remove dust in the ice tray collected during manufacture and transport.

Empty the water, dry the bin and return it correctly.

Once your ice maker is turned on the first bin of ice may be discoloured. This is not harmful and normal during the flushing process. Discard the first full bin of ice made. Your ice maker is now ready for use.

The performance of your water filter will increase with use, reaching optimum performance after two to three full bins of ice.

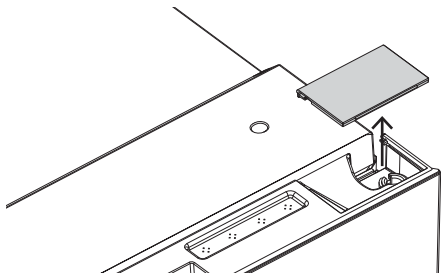
Carry out the above steps after a holiday/vacation or extended periods of not using ice.

HINGE SWAP (OPTIONAL - BOTTOM MOUNT NON-ICE & WATER MODELS ONLY)

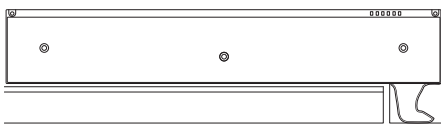
The hinge position can be adjusted to change the door swing from the right to the left if required. Before beginning, ensure the product is unplugged from the power supply.

REMOVAL OF PARTS

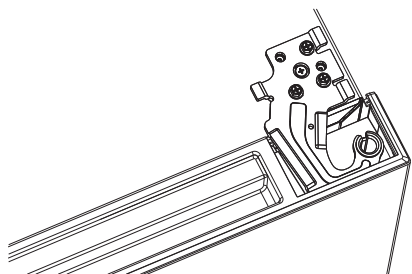
① Unclip the top endcap cover and lift out to remove.



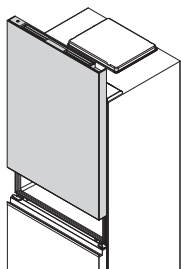
② Remove all five screws and lift out the trim cover.



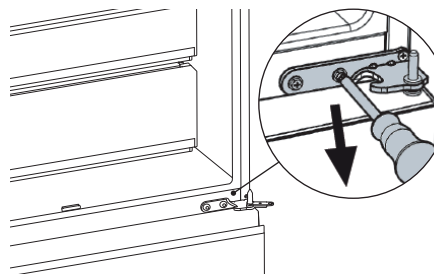
③ Unscrew the upper hinge.



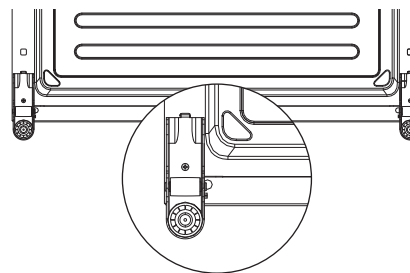
④ Lift the upper door carefully off the hinges and set aside.



⑤ Unscrew the middle hinge of the upper door.

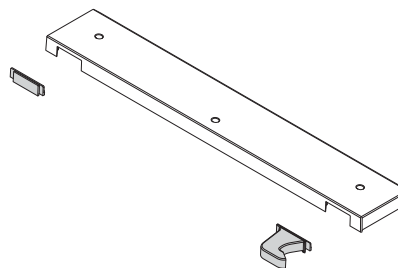


⑥ Remove lower door and set aside. Lay the product on its back to remove the lower feet/hinge.

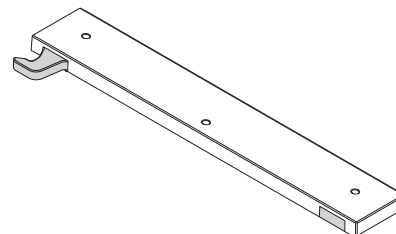


HINGE SWAP

① Remove the decorative component from the front of the left hinge, and the hook from the right hinge.

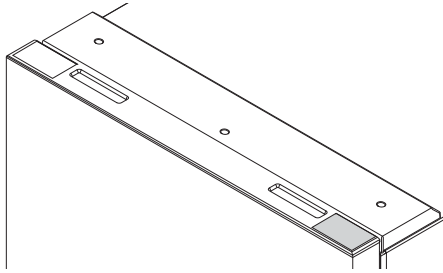


② Refit the decorative component to the right hinge cover and the supplied hook onto the left hinge cover.



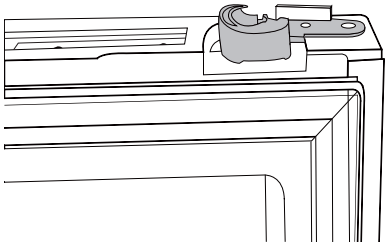
HINGE SWAP (OPTIONAL - BOTTOM MOUNT NON-ICE & WATER MODELS ONLY)

3



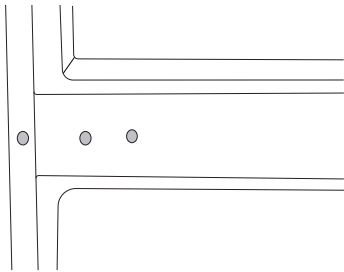
Move the non-hinge top cover to the right hand side of the upper door.

4



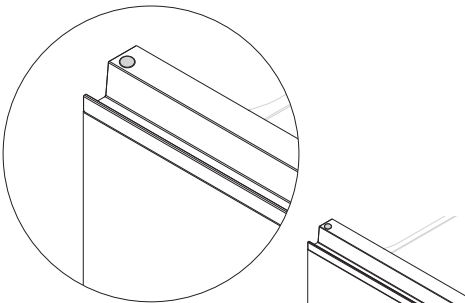
Remove the doorstop from the underside the top of the door. Refit on the opposite side.

5



Remove the blanking plugs and install on the right hand side of the middle beam.

6



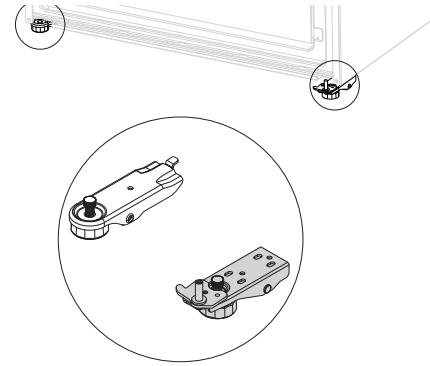
Swap the positions of the blanking plugs on the top of the lower door.

7



Remove the lower doorstop and refit on the opposite side.

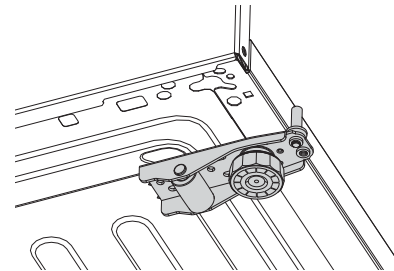
8



Swap the lower hinge.

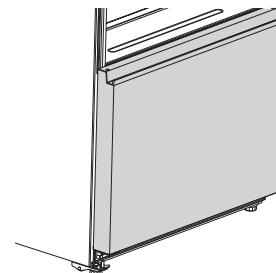
RE-INSTALL OPPOSITE HINGE DOORS

1



Install the reassembled lower hinge onto the bottom of the left hand side of the refrigerator.

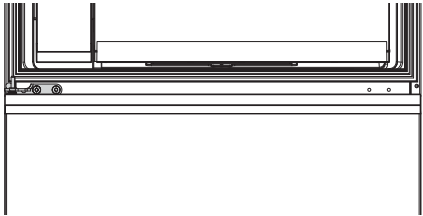
2



Install the freezer door onto the refrigerator.

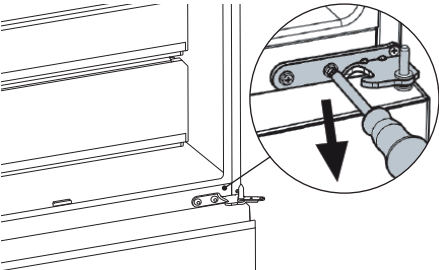
HINGE SWAP (OPTIONAL - BOTTOM MOUNT NON-ICE & WATER MODELS ONLY)

3



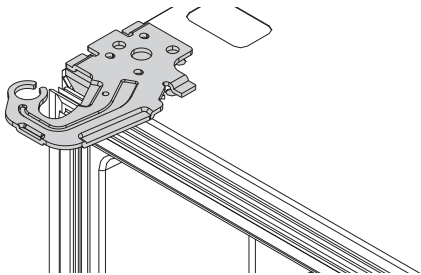
Rotate the middle hinge 180° and install on the left hand side of the middle beam.

4



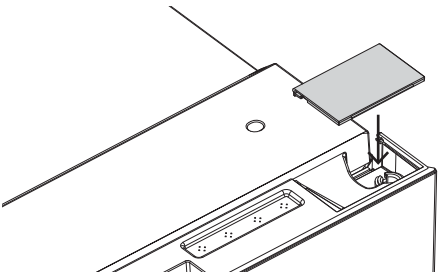
Install the top refrigerator door onto the middle hinge.

5



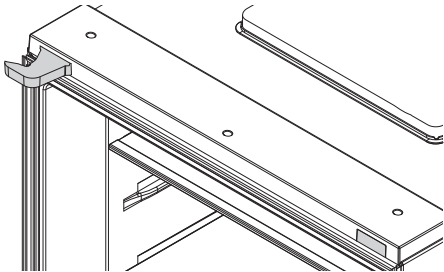
Install the supplied upper left hinge onto the product and secure.

6



Reinstall the top endcap.

7

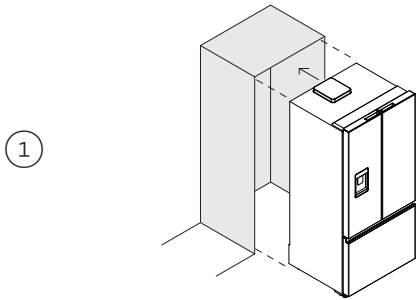


Install hinge cover onto product. Ensure all screws are tightened and sealing around the doors has been achieved.

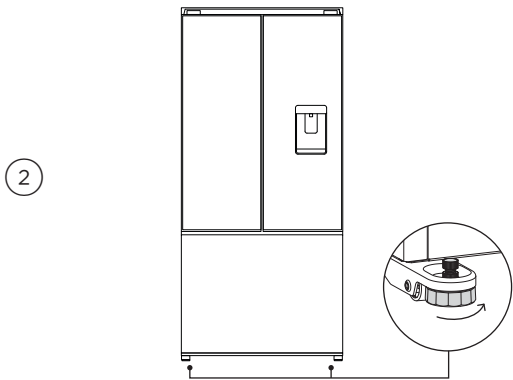
POSITIONING YOUR REFRIGERATOR

Your Fisher & Paykel ActiveSmart™ refrigerator is fitted with front and rear rollers to allow you to easily move your refrigerator forward and backward. Avoid moving your refrigerator sideways to prevent damaging the rollers or the floor covering surface.

Your refrigerator will arrive with the front feet wound up to assist with moving the product into its final location.

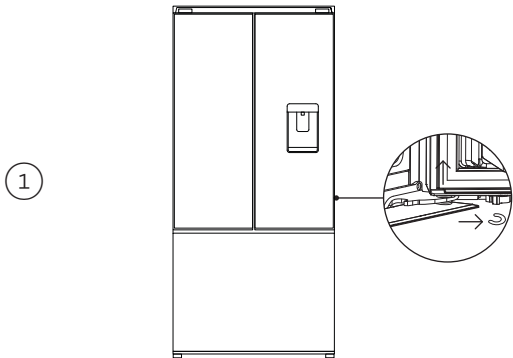


Roll the refrigerator into its final position ensuring there is the correct air gap between the product and surrounding cabinetry. See minimum clearance in cabinetry dimensions table.



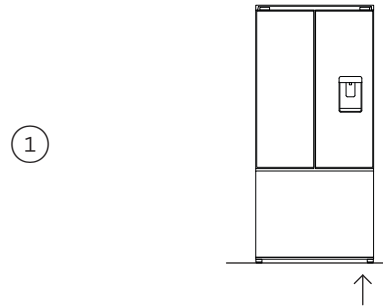
Adjust the front feet down until the refrigerator is leaning backward with the front approximately 10mm higher than the back. This will ensure a good door closing action.

Levelling of refrigerator doors



Open the door that is out of alignment.
Lift the door upwards.
Clip the spacer onto the centre hinge pin.
Close the door to recheck alignment.

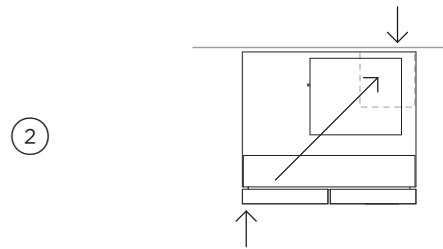
What to do if your product is unstable



Gently push the refrigerator back until the rear rollers contact the floor.

Measure the gap under the front foot, which has come off the floor.

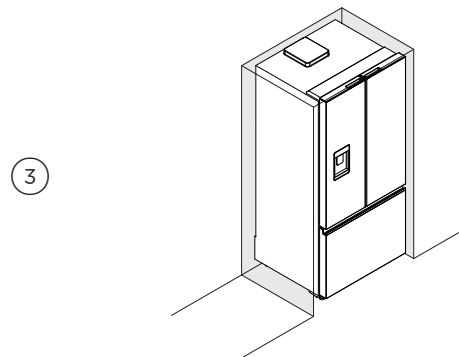
Obtain some solid packing material (hardwood, plastic, etc) which fits firmly into the gap under the foot.



Wind both front feet up and roll the product out of position.

Place the packing material in the location diagonally opposite the front roller that lifts off the floor.

Ensure the packing material stays in place when the product is pushed back into position.



Roll the refrigerator back into position and adjust front feet. Check alignment and door closing action are satisfactory. Make small adjustments to the front feet where necessary.

COMPLETE INSTALLATION

Before placing food in the fresh food or freezer compartments

- Remove all internal packaging.
- Clean the inside of the appliance with a mix of warm water and a small amount of liquid detergent. Use a soft cloth to remove dust collected during manufacture and transport.
- Allow the refrigerator and freezer to run empty for 2-3 hours to allow each compartment to cool to the appropriate temperature.
- The appliance may have an odour on its initial operation, this will go when the refrigerator and freezer have cooled sufficiently.

FINAL CHECKLIST

TO BE COMPLETED BY THE INSTALLER

Ensure that:

- Check all parts are installed.
- Ensure the appliance is level.
- Ensure all internal and external packaging is removed from the appliance before use.
- Ensure the water filter is installed and the has been flushed.

Complete and keep for safe reference:

Model _____

Serial No. _____

Purchase Date _____

Purchaser _____

Dealer Address _____

Installer's Name _____

Installer's Signature _____

Installation Company _____

Installation Date _____



The integrated FPWF2 water filter system is Certified by IAPMO R&T to NSF/ANSI 42, 53, 401 and NSF P473 for the reduction of the contaminants enumerated on the Performance Data Sheet and at www.iapmo.org, and to NSF/ANSI 372 for Low Lead content.

Fisher & Paykel Appliances, P.O. Box 58546,
Botany, Auckland 2013, New Zealand

FISHERPAYKEL.COM

© Fisher & Paykel Appliances 2025. All rights reserved.

The models shown in this guide may not be available in all markets
and are subject to change at any time.

The product specifications in this guide apply to the specific products and
models described at the date of issue. Under our policy of continuous product
improvement, these specifications may change at any time.

For current details about model and specification availability in your country,
please go to our website or contact your local Fisher & Paykel dealer.

432957A 05.25