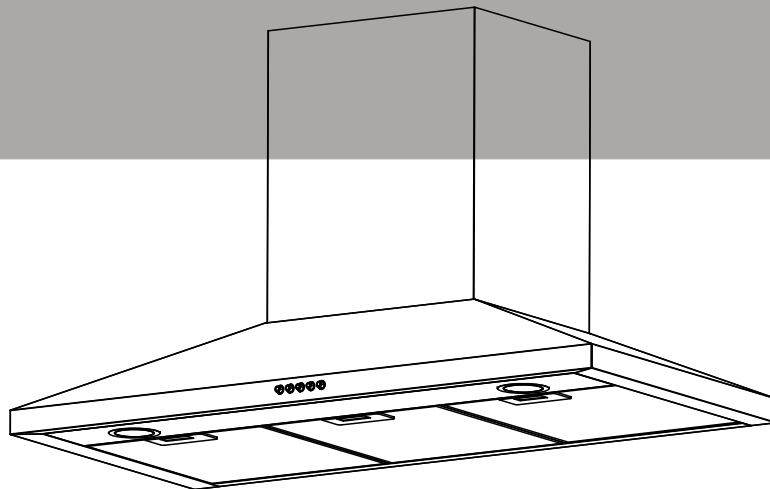
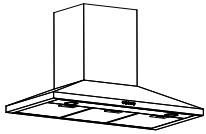


Range hood
Model ACH905X/1



Instruction manual

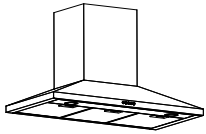


Information and advice

CAUTION: Accessible parts may become hot when used with cooking appliances.

In certain circumstances electrical appliance may be a danger hazard.

- A) There must be adequate ventilation of the room when the cooker hood is used at the same time as appliances burning gas or other fuels.
- B) Do not check the status of the filters while the cooker hood is operating.
- C) Do not touch the light bulb within half an hour after appliance has been use.
- D) Do not flame under the range hood.
- E) Avoid opening gasometer when there is no pan on the stove, as it is damaging for the filters and a fire hazard.
- F) Constantly check food frying to avoid overheated oil splashing and becoming a fire hazard.
- G) Disconnect the electrical plug prior to any maintenance.
- H) Regulations concerning the discharge of air have to be fulfilled.
- I) When the range hood and appliances supplied with energy Other than electricity are simultaneously in operation. The negative pressure in the room must not exceed 4 Pa (4×10^{-5} bar)



Information and advice

CAUTION: Accessible parts may become hot when used with cooking appliances.

J) If the supply cord is damaged, it must be replaced by the manufacturer, its service agent or similarly qualified persons in order to avoid a hazard.

K) This appliance can be used by children aged from 8 years and above and persons with reduced physical, sensory or mental capabilities or lack of experience and knowledge if they have been given supervision or instruction concerning use of the appliance in a safe way and understand the hazards involved. Children shall not play with the appliance. Cleaning and user maintenance shall not be made by children unless they are older than 8 and supervised.

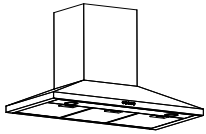
L) The range hood is intended to be installed over a hob having no more than four hob elements.

M) Indoor use and household use only

N) When the appliance is not in use and before cleaning, unplug the appliance from the outlet.

O) Attention ! Observe the warning in the instruction sheet concerning the operation of the appliance when air is discharged from the room

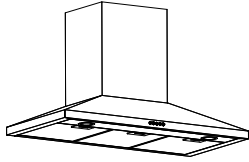
P) There is a fire risk if cleaning is not carried out in accordance with the instructions.



Information and advice

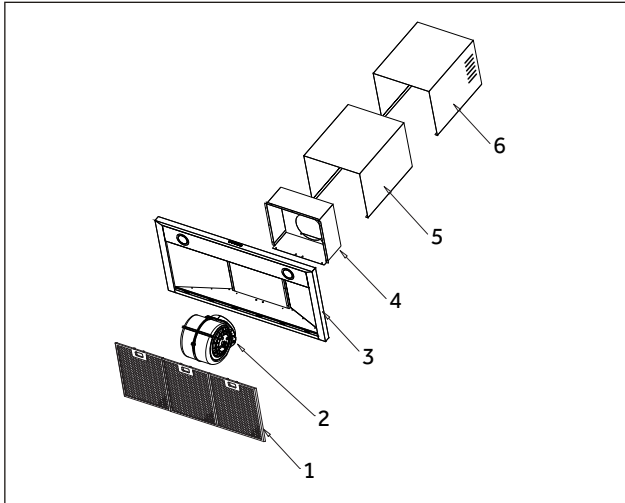
CAUTION: Accessible parts may become hot when used with cooking appliances.

- Q) The air must not be discharged into a flue that is used for exhausting fumes from appliances burning gas or other fuels (not applicable to appliances that only discharge the air back into the room).
- R) Children should be supervised to ensure that they do not play with the appliance.
- S) Warning: Failure to install the screws or fixing device in accordance with these instructions may result in electrical hazards.
- T) The installation height of hood shall not be less than 60cm.
- U) The filter screen must be cleaned regularly, otherwise there is a danger of fire.
- V) The installation must be carried out according to the screws and positions required by the instructions, which will easily damage the connecting wires.
- W) Range hoods and other cooking fume extractors may adversely affect the safe operation of appliances burning gas or other fuels (including those in other rooms) due to back flow of combustion gases. These gases can potentially result in carbon monoxide poisoning. After installation of a range hood or other cooking fume extractor, the operation of flued gas appliances should be tested by a competent person to ensure that back flow of combustion gases does not occur.



Know your cooker hood

Please read these instructions before using your cooker hood.



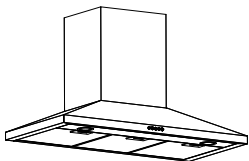
- | | |
|------------------------------|---------------------------|
| 1. Filters | 2. Air duct assembly |
| 3. Cooker body | 4. Wind box assembly |
| 5. Bottom outer chimney flue | 6. Top inner chimney flue |

Also included * Damper flap * Chimney fixed bolster
* Drill hole stencil * User instruction manual



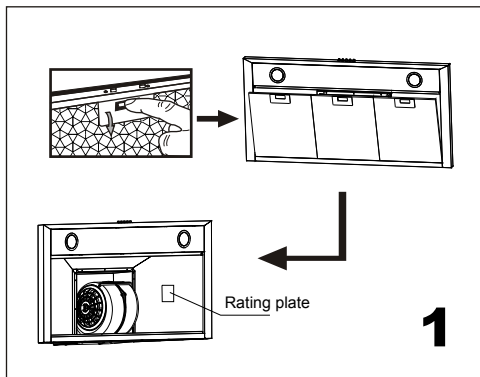
Information

Congratulations on the purchase of our cooker hood which is designed to include many superior features. Before installing and using the hood carefully read all the instructions.

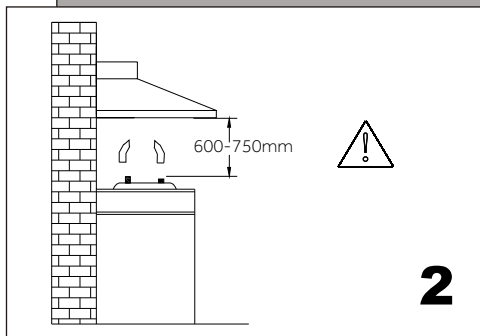


Installation

Ensure the power is turned off before beginning the installation



Check the voltage and frequency on the rating plate located inside the hood.

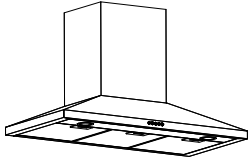


Ensure the hood is installed so that the bottom of the hood is no less than 600mm and no more than 750mm above the cooking elements or burners.



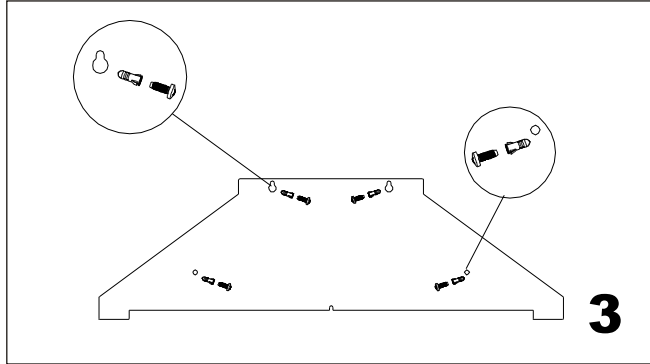
Information

The hood must not be installed and connected to flues where other appliances are installed.



Installation

You will need two people to install this hood

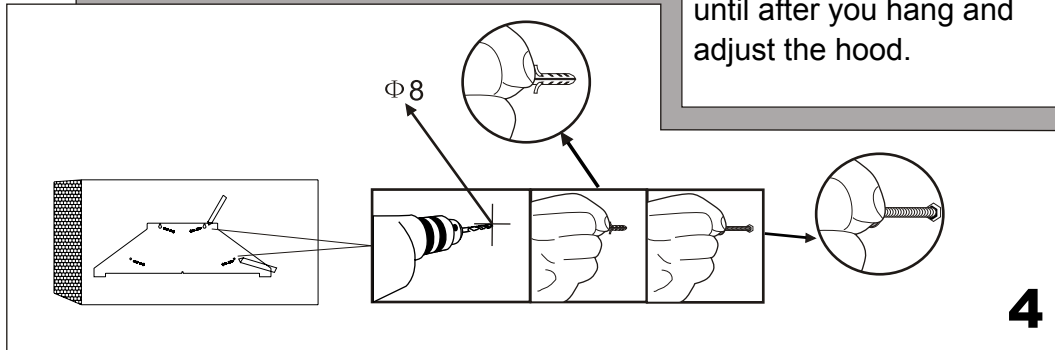


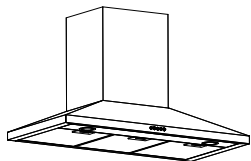
Using the drill hole stencil mark the screw positions on the wall. Drill four 8mm holes into the wall. Put one expansion plug and one 10mm screw into each of the holes. Screw the screws into place but not all the way into the plugs until after you hang and adjust the hood.

i

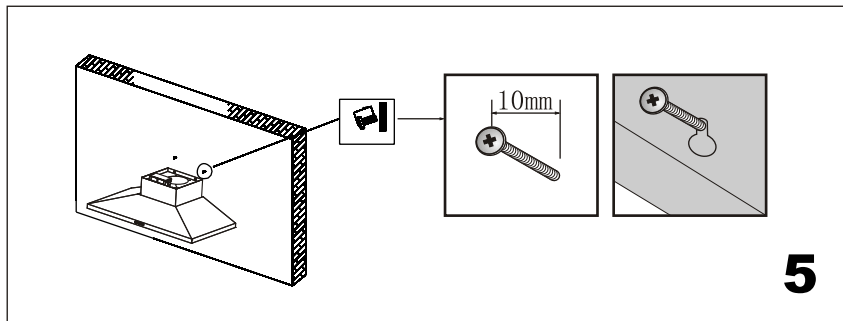
Information

When cutting or drilling into wall or ceiling, do not damage electrical wiring or other hidden utilities.

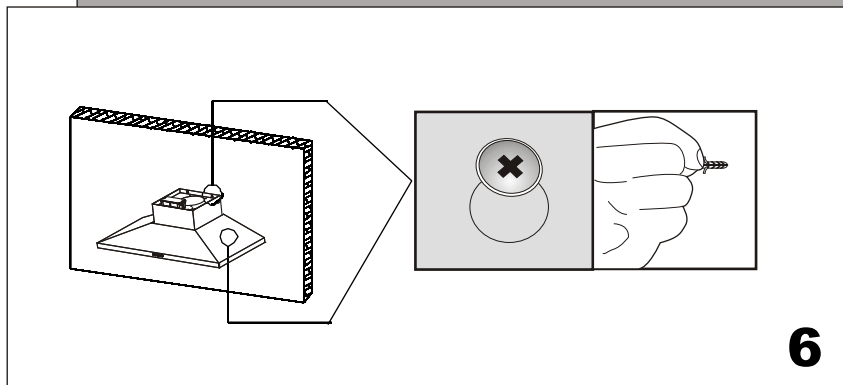


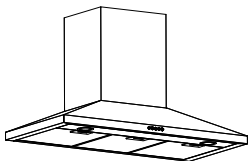


Installation



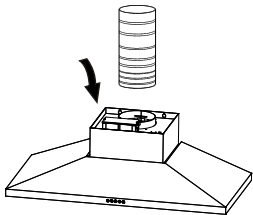
Hang the hood body onto the screws. First screw in the top 2 screws then the bottom 2 screws. Adjust the level of the hood on the wall to be straight horizontally.





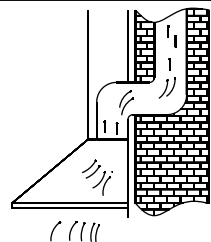
Installation

Ensure the power is turned off before beginning the installation



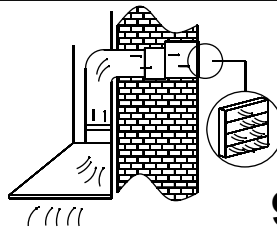
7

Attach the ducting hose to the air duct.



8

Vertical discharge of air. Run the ducting through a cupboard and/or into a space in the ceiling cavity to a roof cap.



9

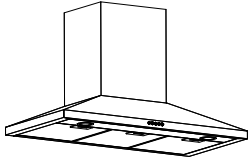
Horizontal discharge of air. Run the ducting through the eaves (soffit) and the outside wall to a wall cap.



Information

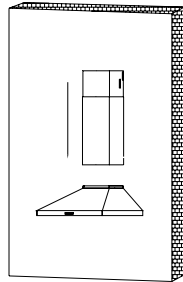
The air must not be discharged into a flue that is used for exhausting fumes from appliances burning gas or other fuels.

Important: remove the charcoal filter unless the unit is installed in recirculating mode.



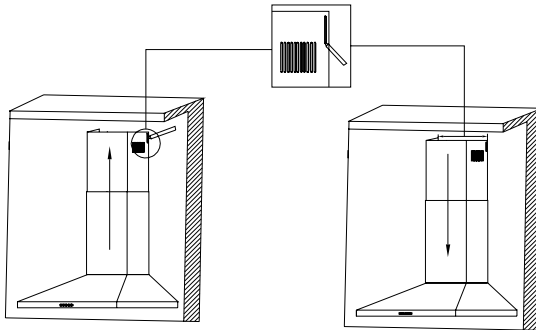
Installation

Attaching the chimney flues



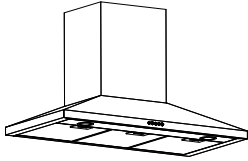
10

Assemble the 2 flues, inner top to outer bottom. Place them onto the hood body covering the air duct assembly and screw into place.



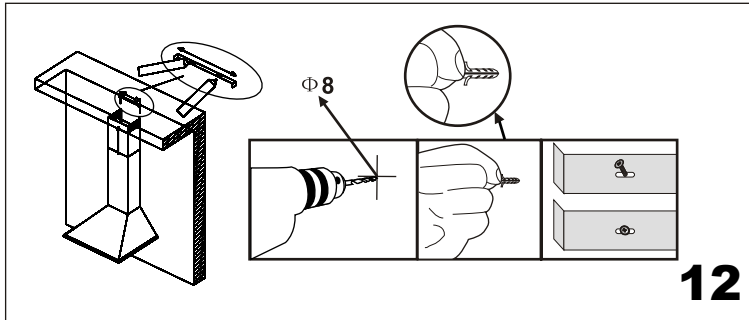
11

Measure the height for the chimney flue bracket. Pull the inner chimney to the desired height.



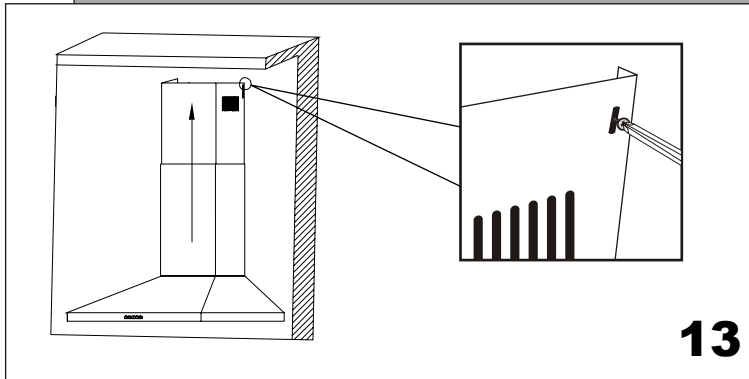
Installation

Attaching the chimney flues



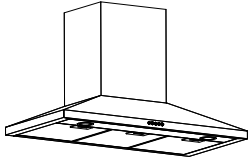
12

Screw the chimney flue bracket into place as measured.



13

Connect the chimney flues to the bracket using four 10mm screws.



Hood Operation

Controls



14

Ensure the hood is OFF when first installed.
Insert the power plug when all previous installation steps are completed.

Press the Light button for the lights to turn ON.
Press again to turn OFF
Push button 1 for low speed
Push button 2 for medium speed
Push button 3 for high speed
Push button 0 to turn off the motor stops running



Caution
Never cover
the lamp
with thermal
insulation or
any other
material.

Warning
The lamp is
hot for 30
minutes
after using
the hood.

Replacement and maintenance

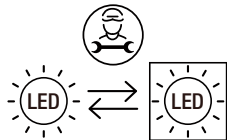
If the supply cord is damaged, it must be replaced by the manufacturer or its service agent or a similarly qualified person in order to avoid a hazard.

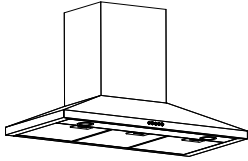
Replacing lamps

The hood is equipped with a lighting system based on LED technology.

The LEDs guarantee an optimum lighting, a duration up to 10 times as long as the traditional lamps and allow to save 90% electrical energy.

In case of malfunction of the illumination system contact the technical service.





Cleaning instructions



Turn off the hood before cleaning.

1. Clean the surface of the hood frequently using mild soap or detergent at least once every 3 months.
2. Avoid the use of harsh cleaning agents as it may spoil the hood's appearance.
3. Wash the filters using mild soap or detergent. Note that heavy grease build up may not be able to be cleaned and the filters should be replaced.
4. Never clean the charcoal filters. They must be replaced as necessary.



Information

Never let water enter the motor or electrical parts as this may cause an electric shock hazard.

Recycling	
 	<p>Please contact your local recycling centre for information on how to correctly dispose of this appliance.</p> <p>The manufacturer shall decline all responsibility when the recommendations and instructions regarding installation, maintenance and use are not observed.</p>

The manufacturer shall decline all responsibility when the recommendations and instructions regarding installation, maintenance and use are not observed.

Warranty Card

Worldwide Appliances Pty Limited

A.B.N. 45868077422

Distributed by Eurolinx Pty Ltd

Office:

48-50 Moore Street, Leichhardt N.S.W 2040

Post:

Locked Bag 3000, Annandale, N.S.W 2038

P: 1300 694 583

WARRANTY REGISTRATION

Your ongoing satisfaction with your artusi product is important to us. We ask that you complete the enclosed Warranty Registration Card and return it to us so that we have a record of the artusi product purchased by you.

PRIVACY

Worldwide Appliances respects your privacy and is committed to handling your personal information in accordance with the National Privacy Principles and the Privacy Act 1988 (Cth). A copy of the Worldwide Appliances Privacy Policy is available at www.artusi.com.au. Worldwide Appliances will not disclose any personal information set out in the Warranty Registration Card ("Personal Information") without your consent unless required by:

1. law;
2. any Worldwide Appliances related company;
3. any service provider which provide services to artusi or assist artusi in providing services (including repair and warranty services) to customers. Our purpose in collecting the Personal Information is

to keep a record of the artusi product purchased by you, in order to provide a better warranty service to you in the unlikely event that there is a problem with your artusi product. Worldwide Appliances may contact you at any one or more of the address, email address or telephone numbers set out in the Warranty Registration Card. Please contact artusi on 1300 694 583 should you not wish to be contacted by Worldwide Appliances.

WARRANTY

1. Warranty

Worldwide Appliances warrants that each artusi product will remain, for a period of either 12 months or 24 months of warranty. All Warranties are valid from the original date of purchase, And warranty claims must be accompanied by the proof of purchase.

24 months warranty products:

All Built-in Appliances – Limited to Ovens, Gas, Induction and Electric Cooktops, and All Rangehoods. Freestanding Cookers - Gas and Electric Models (900mm Width).

Dishwashers - Freestanding, Fully Integrated, Semi Integrated and built-in. All Wine coolers. All Dryers. Freestanding Cookers - Gas and Electric Models in 50cm, 54cm and 60cm Widths

Portable Appliances* – Benchtop Models and Portable Gas Models

2. What is not Covered by the Warranty.

The Warranty does not apply if an artusi product is defective by a factor other than a defect arising in the manufacture of the artusi product, including but not limited to:

- (a) damage through misuse (including failure to maintain, service or use with proper care), neglect, accident or ordinary wear and tear (including deterioration of parts and accessories and glass breakage);
- (b) use for purpose for which the artusi product was not sold or designed;
- (c) use or installation which is not in accordance with any specified instructions for use or installation;
- (d) use or operation after a defect has occurred or been discovered;
- (e) damage through freight, transportation or handling in transit (other than when Worldwide Appliances is responsible);

(f) damage through exposure to chemicals, dusts, residues, excessive voltage, heat, atmospheric conditions or other forces or environmental factors outside the control of Worldwide Appliances;

(g) repair, modification or tampering by the purchaser or any person other than Worldwide Appliances, an employee of Worldwide Appliances or an authorised artusi service contractor*;

(h) use of parts, components or accessories which have not been supplied or specifically approved by artusi.

(i) damage to surface coatings caused by cleaning or maintenance using products not recommended in the artusi product handbook provided to the purchaser upon purchase of the artusi product;

(j) damage to the base of an electric oven due to items having been placed on the base of the oven cavity or covering the base, such as aluminium foil (this impedes the transfer of heat from the element to the oven cavity and can result in irreparable damage); or

(k) damages, dents or other cosmetic imperfections not affecting the performance of the artusi in respect of an artusi product purchased as a "factory second" or from display. The Warranty does not extend to light globes used in artusi products.

3. Domestic Use

Each artusi product is made for domestic use. This Warranty may not extend to artusi products used for commercial purposes.

Continued over...

4. Time for Claim under the Warranty

You must make any claim under this Warranty within twenty eight (28) days after the occurrence of an event which gives rise to a claim pursuant to the Warranty, by booking a service call on the telephone number below.

5. Proof of Purchase

Customers must retain proof of purchase in order to be eligible to make a warranty claim in respect of an artusi product.

6. Claiming under the Warranty

Customers will bear the cost of claiming under this Warranty unless Worldwide Appliances determines the expenses are reasonable, in which case the customer must claim those expenses by providing written evidence of each expense to Worldwide Appliances at the address on the Warranty Registration Card.

7. Statutory Rights

(a) These terms and conditions do not affect your statutory rights.

(b) The limitations on the Warranty set out in this document do not exclude or limit the application of the consumer guarantees set out in the Act or any other equivalent or corresponding legislation in the relevant jurisdiction where to do so would:

(i) contravene the law of the relevant jurisdiction; or

(ii) cause any part of the Warranty to be void.

(c) Worldwide Appliances excludes indirect or consequential loss of any kind (including, without limitation, loss of use of the artusi product) and (other than expressly provided for in these terms and conditions) subject to all terms, conditions and warranties implied by custom, the general law, the Act or other statute.

(d) The liability of Worldwide Appliances to you

for a breach of any express or non-excludable implied term, condition or warranty is limited at the option of Worldwide Appliances to:

(i) replacing or repairing the defective part of the artusi product;

(ii) paying the cost of replacing or repairing the defective part of the artusi product;

(iii) replacing the artusi product; or

(iv) paying the cost of replacing the artusi product.

(e) Our goods come with guarantees that cannot be excluded under the Australian Consumer Law. You are entitled to a replacement or refund for a major failure and for compensation for any other reasonably foreseeable loss or damage. You are also entitled to have the goods repaired or replaced if the goods fail to be of acceptable quality and the failure does not amount to a major failure.

8. Defects

Any part of an artusi product deemed to be defective and replaced by Worldwide Appliances is the property of Worldwide Appliances. Worldwide Appliances reserves the right to inspect and test artusi products in order to determine the extent of any defect and the validity of a claim under the Warranty.

All warranty service calls must be booked via the customer care department. The team can be contacted on 1 300 85 64 11 option 1 or customercare@eurolinx.com.au

01082016

**DON'T FORGET TO REGISTER
YOUR WARRANTY ONLINE
NOW AT www.eurolinx.support**



**TO REGISTER
YOUR WARRANTY**



FOLLOW US ON:



[/artusi_kitchen_laundry_outdoor](https://www.instagram.com/artusi_kitchen_laundry_outdoor)



[/au.linkedin.com/company/eurolinx-ptyltd](https://au.linkedin.com/company/eurolinx-ptyltd)

[artusi.com.au](https://www.artusi.com.au)

Australia National Telephone Number 1300 694 583

Our showrooms opening hours in each state are available on our website

NSW & ACT (Head Office)

48-50 Moore Street
Leichhardt

Victoria

2r/131 Church Street
Hawthorn

QLD

Contact
head office

WA & NT

Contact
head office

DISCLAIMER

Worldwide Appliances PTY LTD, trading as ARTUSI, is continually seeking ways to improve the design specifications, aesthetics and production techniques of its products. As a result alterations to our products and designs take place continually. Whilst every effort is made to produce information and literature that is up to date, this brochure should not be regarded as an infallible guide to the current specifications, nor does it constitute an offer for the sale of any particular product. Product dimensions indicated in our literature is indicative only. Actual product only should be used to define dimension cutouts. Distributors, and retailers are not agents of ARTUSI and are not authorised to bind ARTUSI by any express or implied undertaking or representation.