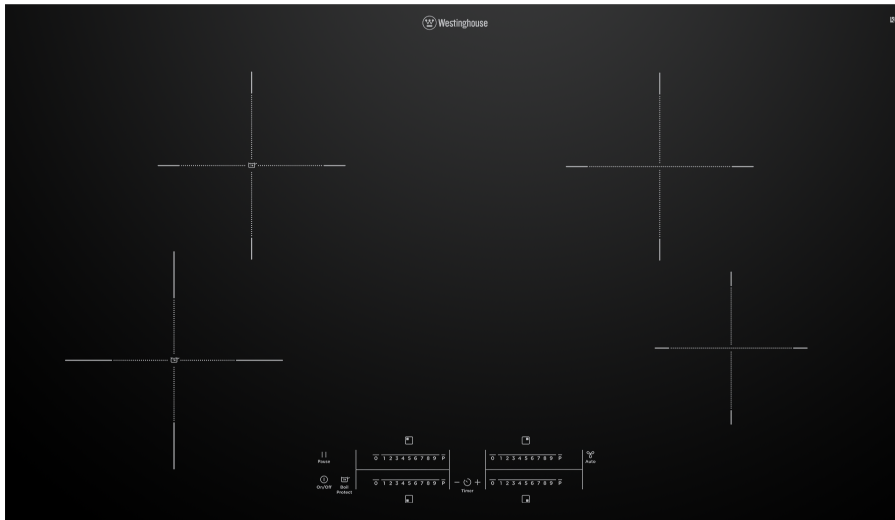


90cm 4 zone induction cooktop with BoilProtect (2 zones), Hob2Hood, PowerBoost, Pause and touch controls.



## Product Details

### FEATURES

---

BoilProtect

Hob2Hood

PowerBoost

Pause

6.5kW rated input power

QuickCook Timer

Touch control

Residual heat indicator

Child safety device

Easy clean ceramic surface

---

### BENEFITS

---

#### No more boiling over

There are more exciting things to do than watching water boil. BoilProtect detects rising bubbles and automatically reduces to a low simmer. No more constant monitoring so you can focus on the flavours. Applies to stainless steel and enamelled pots filled with water only.

#### Clear the air with Hob2Hood

With Hob2Hood technology, compatible rangehoods work seamlessly with your induction or ceramic cooktop to clear your kitchen of cooking smells and steam. As you start cooking, the rangehood will automatically turn on then intuitively adjust the fan speed and airflow to match your cooking. How's that for hands-free convenience?

---

#### Hold everything with our clever Pause function

We know that family life is full of distractions. That's why you'll appreciate our clever Pause function. Simply touch the Pause icon on your cooktop and all operating induction zones will drop to Keep Warm mode. When you're ready to go again, hit Pause again and settings will return to where you left off.

#### Zero to Boil in no time

With PowerBoost, you can rapidly boil a pot of water or quickly heat up a frying pan. Spend less time waiting and more time creating your favourite meals.

---

#### Transition to induction with ease

If switching to an induction cooktop is on your to-do list, you can upgrade with extra ease if your new induction cooktop shares the same rated input power as your old ceramic or electric cooktop. All you will need to do is get used to having instant control of your cooking.

#### Timed to perfection

Never over-cook or burn dinner again. Just set the cooking time and your cooktop will automatically turn the heat off for you.

---

# Specifications

## PRODUCT PROFILE

|                                 |                     |
|---------------------------------|---------------------|
| Domestic warranty details (yrs) | 2                   |
| Cooktop type                    | induction           |
| Materials/Colour                | black ceramic glass |

## CONTROLS

|                       |  |
|-----------------------|--|
| Controls of Cooktops  | touch  |
| Position of controls  | front  |
| Functions of Cooktops | timer,Keep warm function,pause,PowerBoost,Hob2Hood   |
| Indicators/display    | fault indicator,residual heat warning lamps  |
| Features of Cooktop   | minute minder,safety cut off,electronic timer,safety child lock,hot surface indicator,Hob2Hood,BoilProtect |

## DIMENSIONS

|                           |     |
|---------------------------|-----|
| Total product height (mm) | 51  |
| Total product width (mm)  | 900 |
| Total product depth (mm)  | 520 |
| Cut out width (mm)        | 880 |
| Cut out depth (mm)        | 490 |

## ELEMENTS/BURNERS

### LEFT FRONT ZONE

|                                    |           |
|------------------------------------|-----------|
| Left front zone                    | induction |
| Left front Watts                   | 2300      |
| Left front boost watts             | 3600      |
| Left front number of cooking zones | 1         |
| Left front diameter mm             | 210       |

## CONTROLS

---

Timer of Cooktop programmable 99min,countdown

---

Readable temperature setting No

---

## LEFT REAR ZONE

---

Left rear zone induction

---

Left rear watts 1800

---

Left rear number of cooking zones 1

---

Left rear diameter mm 140

---

## RIGHT REAR ZONE

---

Right rear zone induction

---

Right rear watts 1800

---

Right rear number of cooking zones 1

---

Right rear diameter mm 180

---

## RIGHT FRONT ZONE

---

Right front zone induction

---

Right front Watts 1400

---

Right front number of cooking zones 1

---

Right front diameter mm 140

---

## ELECTRICAL SPECIFICATIONS

---

Connected load KW 6.5

---

Type of connection hardwired

---

## SHIPPING

---

|                      |        |
|----------------------|--------|
| Shipping Volume (m3) | 0.0648 |
|----------------------|--------|

---

|                      |      |
|----------------------|------|
| Shipping Weight (Kg) | 14.5 |
|----------------------|------|

---

|                             |     |
|-----------------------------|-----|
| Pack Dimensions Height (mm) | 108 |
|-----------------------------|-----|

---

|                           |      |
|---------------------------|------|
| Pack Dimension Width (mm) | 1000 |
|---------------------------|------|

---

|                           |     |
|---------------------------|-----|
| Pack Dimension Depth (mm) | 600 |
|---------------------------|-----|

---

## STUFFING QUANTITIES

---

|      |     |
|------|-----|
| 20ft | 400 |
|------|-----|

---

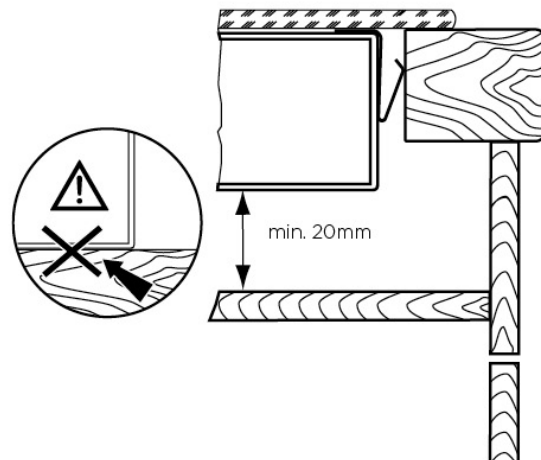
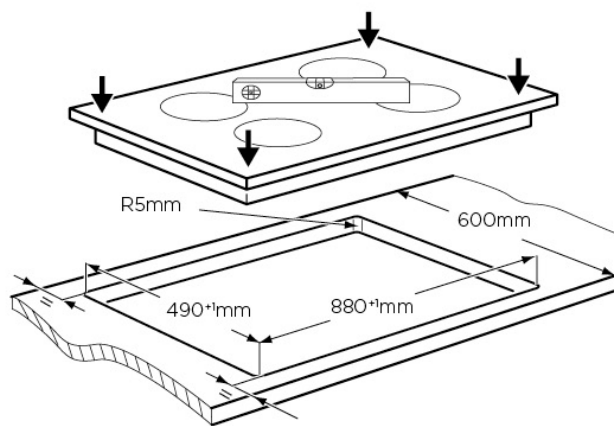
|         |     |
|---------|-----|
| 40ft HC | 924 |
|---------|-----|

---

## Dimensions

### 90cm induction cooktops

WHI943BD, WHI955BD



#### IMPORTANT

These dimensions are a guide only. All measurements are in millimetres (mm).  
For complete installation instructions, refer to the manual provided with product.

# Terms and Conditions

## IMPORTANT

This is a guide of product dimensions only. For complete installation instructions, refer to the manual provided with product.

## PRODUCT INFORMATION

The descriptors and illustrations in this publication apply to the specific products and models described as at the date of issue. Under our policy of continuous product development, product specifications may change without notice. Prospective purchasers should therefore check with their retailer to ensure this publication correctly describes the products that are being offered for sale. All information supplied is to be used for general reference purposes only and is on the understanding that Electrolux Home Products Pty Ltd (Australia) and Electrolux (NZ) Ltd (New Zealand) will not be liable for any loss, liability or damage of whatever kind arising as a result of reliance on such information. Colours of products illustrated are as close as printing limitations allow. Electrolux will at all times comply with its obligations pursuant to law including Trade Practices (Australian Consumer Law) Act and Regulations.

## WARRANTY

This warranty only applies to Appliances purchased and used in Australia or New Zealand and used in normal domestic applications and is in addition to (and does not exclude, restrict, or modify in any way) any non-excludable statutory warranties in Australia or New Zealand. All warranties are subject to the conditions set out in the warranty card accompanying the product when purchased.

### ELECTROLUX HOME PRODUCTS AUSTRALIA

telephone: 1300 363 640

fax: 1800 350 067

email: [customercare@electrolux.com.au](mailto:customercare@electrolux.com.au)

web: [www.electrolux.com.au](http://www.electrolux.com.au)

### ELECTROLUX HOME PRODUCTS NEW ZEALAND

telephone: 09 573 2230

fax: 09 573 2221

email: [customercare@electrolux.co.nz](mailto:customercare@electrolux.co.nz)

web: [www.electrolux.co.nz](http://www.electrolux.co.nz)