

BOSE65M

60cm, 5 function, Built In Electric Oven



Model Code

BOSE65M

Description

60cm, 5 Function, Electric Oven

Included Accessories

- 2 x safety anti-tip shelves
- 1 x baking dish
- 1 x grill insert
- 1 x grill handle
- Catalytic liners rear

Warranty

BLANCOCare™ 2 years parts & labour

Features

66 Litre Capacity

Triple Glazed Thermo-reflective Door

Catalytic Self-cleaning Liners

Fully Programmable Timer

Black Enamelled Interior

Benefits

The new design of the Entice Collection has delivered a larger usable space to cook those special dinners for the family.

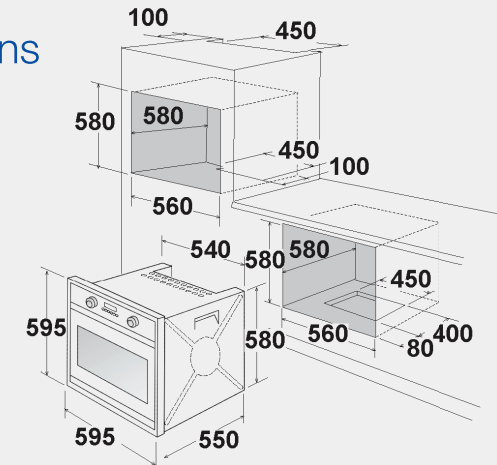
The triple layered door with thermo-reflective glass offers not only a cooler to touch surface but also increases the energy efficiency as the heat is retained within the oven.

On the rear of the oven, these self-cleaning liners means less time spent cleaning your oven. Catalytic liners absorb grease and dirt from everyday cooking, and then burn it off at up to 200°C.

The fully programmable touch control operation enables you to set the start and finish time of your cooking where the oven will automatically switch off when finished.

Hard wearing enamel cavity that is easy to clean.

Specifications



Product Dimensions:	H595 x W595 x D550mm
Cut-out size (proudmount):	H580 x W560 x D580mm
Cut-out size (flushmount):	H598 x W598 x D580mm
Power Requirement:	220-240V – 50Hz
Electrical connection:	10 amp- 3 pin plug supplied
Oven volume:	66 litre capacity
Oven Functions:	Fan Forced, Full Grill, Fan Grill, Defrost, Light
Lighting:	25 W

Oven Elements:

Grill element:	2200 W
Fan forced element:	2300 W
Hot air fan motor:	20-25 W
Cooling fan motor:	25 W

NOTE: It is advisable to check dimensions of physical product when measuring for installation and before doing any cut outs.

*Due to continual product development the information provided is not final and may be subject to change.