



Installation Guide

Quality, Design and Innovation



home.liebherr.com/fridge-manuals



LIEBHERR

General safety instructions

Contents

1	General safety instructions	2
2	Installation conditions	3
2.1	Installation location.....	3
2.2	Electrical connection.....	3
3	Appliance dimensions	3
4	Transporting appliance	3
5	Unpacking the appliance	4
6	Removing transport lock	4
7	Installing door handle*	4
8	Installing door handle*	4
9	Installing appliance	4
10	Setting up the appliance so it is level	4
11	Installing multiple appliances	5
12	After installation	5
13	Disposing of packaging	5
14	Reversing the door	5
15	Aligning the door	13
16	Connecting appliance	14

The manufacturer is continually working on the further development of all types and models. Please be aware that we reserve the right to make changes to the shape, equipment and technology.



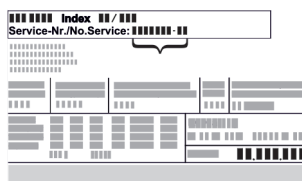




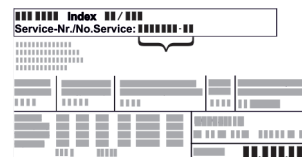
Symbol	Explanation
	Read instructions Please read the information in these instructions carefully to understand all of the benefits of your new appliance.
	Full instructions on the internet You can find detailed instructions on the internet using the QR code on the front of these instruction or by entering the service number at home.liebherr.com/fridge-manuals . The service number can be found on the serial tag: 
	Check appliance Check all parts for transport damage. If you have any complaints, please contact your agent or customer service.
	Differences These instructions apply to a range of models, so differences are possible. Sections that apply to certain models only are marked with an asterisk (*).

Fig. Example illustration

Symbol	Explanation
	Instructions and results Instructions are marked with a ▶. Results are marked with a ▷.
	Videos Videos about the appliances are available on the YouTube channels of Liebherr-Hausgeräte.




1 General safety instructions

- Please keep this assembly manual in a safe place so you can refer back to it at any time.
- If you pass the appliance on, please hand this assembly manual to the next user.
- Read this assembly manual carefully before installation and use to ensure safe and correct use of the appliance. Follow the instructions, safety instructions and warning messages included at all times. They are important for ensuring you can operate and install the appliance safely and without any problems.
- First read the general safety instructions in the “General safety instructions” section of the **operating instructions**, which accompany these installation instructions, and follow them. If you cannot find the **operating instructions**, you can download the **operating instructions** from the internet by entering the service number at home.liebherr.com/fridge-manuals. The service number can be found on the serial



tag:

- **Observe the warning messages and other detailed information in the other sections when installing the appliance:**

	DANGER	identifies a situation involving direct danger which, if not obviated, may result in death or severe bodily injury.
	WARNING	identifies a dangerous situation which, if not obviated, may result in death or severe bodily injury.
	CAUTION	identifies a dangerous situation which, if not obviated, may result in minor or medium bodily injury.
	NOTICE	identifies a dangerous situation which, if not obviated, may result in damage to property.

Note	identifies useful instructions and tips.
------	--

2 Installation conditions



WARNING

Fire hazard due to dampness!

If live parts or the mains lead become damp this may cause short circuits.

- ▶ The appliance is designed for use in enclosed areas. Do not operate the appliance outdoors or in areas where it is exposed to splash water or damp conditions.

2.1 Installation location



WARNING

Leaking coolant and oil!

Fire. The coolant contained in the appliance is eco-friendly, but also flammable. The oil contained in the appliance is flammable. Escaping coolant and oil can ignite if the concentration is high enough and in contact with an external heat source.

- ▶ Do not damage the pipelines of the coolant circuit and the compressor.

- Do not install appliance in direct sunlight, next to an oven, radiator or similar.
- The best place for installation is a dry and well ventilated room.
- If the appliance is installed in a very humid environment, condensation can form on the outside of the appliance. Always ensure good airflow and ventilation in the installation location.
- The more coolant there is in the appliance, the larger the room must be in which the appliance is located. If rooms are too small, any leak may create a flammable mixture of gas and air. For every 8 g of coolant, the size of the installation space must be at least 1 m³. Information regarding the coolant contained is on the type plate inside the appliance.
- The floor of the location must be horizontal and even.
- The installation location must be able to withstand the weight of the appliance plus weight when stocked to maximum level.

2.2 Electrical connection

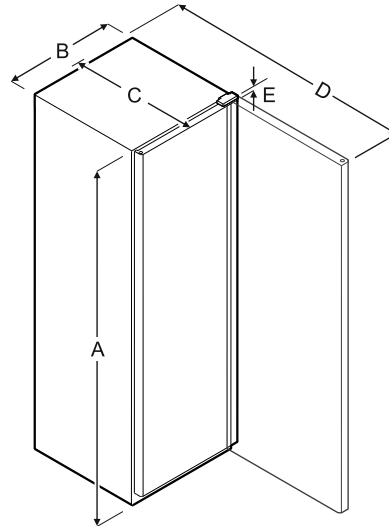


WARNING

Danger of fire due to incorrect positioning!

- ▶ Make sure the mains cable is not trapped under the appliance when you position the appliance.
- ▶ Position the appliance so that it does not touch the plug or mains cable.
- ▶ Do not connect any appliances to sockets in the area of the back of the appliance.
- ▶ Do **not** place and operate multi-sockets/power distributors and other electronic devices (such as halogen transformers) at the back of the appliances.

3 Appliance dimensions



	A	B	C	D	E
WPbl 4201 WSbl 4201	1284 mm	600 mm	763 mm	1323 mm	23 mm
WPbl 4601 WSbl 4601	1484 mm	600 mm	763 mm	1323 mm	23 mm
WPbl 5001 WPbli 5031 WSbl 5001 WSbli 5031	1684 mm	600 mm	763 mm	1323 mm	23 mm
WPbl 5231 WPbli 5231 WSbli 5231	1884 mm	600 mm	763 mm	1323 mm	23 mm
WSbl 7731 WSbli 7731	2044 mm	750 mm	763 mm	1473 mm	23 mm

A = appliance height including feet/castors/hinges

B = appliance width without handle

C = appliance depth without handle

D = appliance depth with door open

E = hinge height

4 Transporting appliance



WARNING

Risk of injury due to broken glass!*

When transporting at an altitude of more than 1500 m, the glass panes of the door may break. This can result in sharp-edged fragments, which can cause serious injuries.

- ▶ Take appropriate protective action.

- ▶ On initial setup: Transport the appliance in its packaging.
- ▶ When transporting after initial setup (e.g. relocation): Transport the appliance unloaded.
- ▶ Transport the appliance upright.
- ▶ Use two people to transport the appliance.

Unpacking the appliance

5 Unpacking the appliance

Before you connect the appliance, report any damage immediately to the delivery company.

- ▶ Check the appliance and the packaging for damage during transport. Contact the supplier immediately if you suspect any level of damage.
- ▶ Remove all materials from the back or the side walls of the appliance that may prevent proper installation or ventilation.
- ▶ Remove all protective films from the appliance. Do not use sharp or pointed objects for this.

6 Removing transport lock

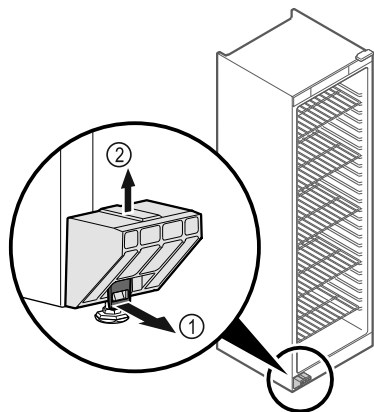


Fig. 1

- ▶ Pull tab Fig. 1 (1) forwards.
- ▶ Take off transport lock Fig. 1 (2) in upwards direction.
- ▷ Base holder remains on the appliance.

7 Installing door handle*

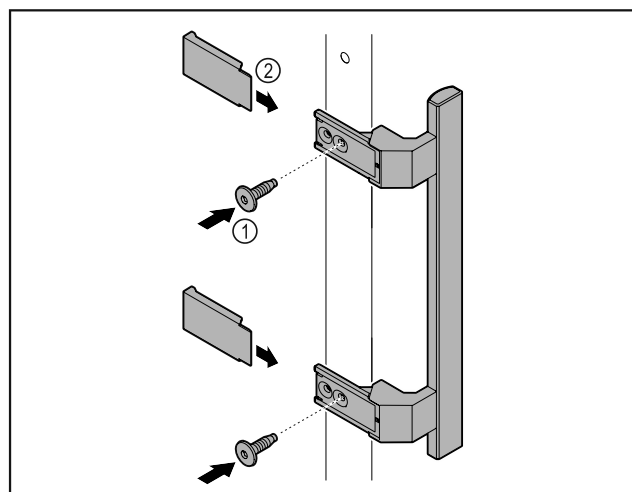


Fig. 2

- ▶ Attach handle from accessory kit to the door using the screws Fig. 2 (1) supplied.
- ▶ Put on covers Fig. 2 (2).

8 Installing door handle*

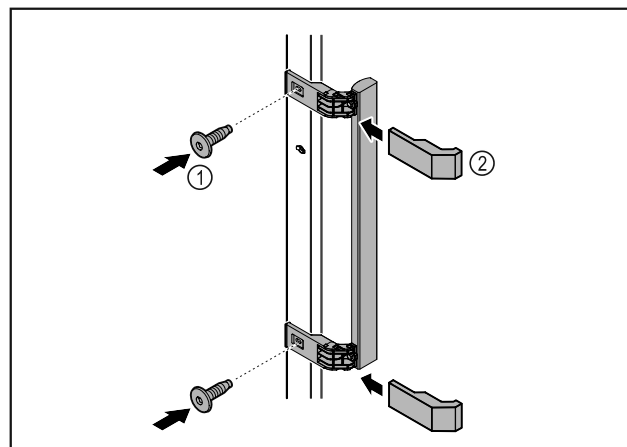


Fig. 3

- ▶ Attach handle from accessory kit to the door using the screws supplied Fig. 3 (1).
- ▶ Put on covers Fig. 3 (2).

9 Installing appliance



CAUTION

Risk of injury and damage.

- ▶ Use 2 people to install appliance.



CAUTION

Risk of injury and damage.

The door can knock against the wall and become damaged as a result. In the case of glass doors, the damaged glass can cause injuries.

- ▶ Protect the door from knocking against the wall. Attach door stopper, e.g. felt stopper, to the wall.

- ▶ Connect all necessary components (e.g. mains cable) to the back of the appliance and route to the side.

Note

Cables can be damaged.

- ▶ Do not jam the cable when pushing the appliance back.

10 Setting up the appliance so it is level

NOTICE

Appliance body is deformed and door does not close.

- ▶ Align appliance horizontally and vertically.
- ▶ Compensate for uneven floors using adjustable feet.



WARNING

Incorrect height adjustment of the adjustable foot!

Can cause severe or even fatal injury. Incorrect height adjustment can cause the bottom part of the adjustable foot to come loose and the appliance to tip over.

- ▶ Do not unscrew the adjustable foot too far.

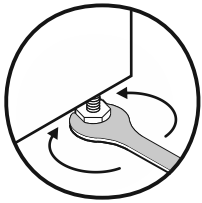


Fig. 4

Raising appliance:

- ▶ Turn adjustable foot clockwise.

Lowering appliance:

- ▶ Turn adjustable foot anticlockwise.

11 Installing multiple appliances

NOTICE

Risk of damage due to condensation between the side walls.

- ▶ Do not install the appliance directly next to another fridge.
- ▶ Install appliances with a space 3 cm between appliances.
- ▶ Only install multiple appliances up to temperatures of 35 °C and 65% humidity next to one another.
- ▶ At higher levels of humidity, increase space between appliances.

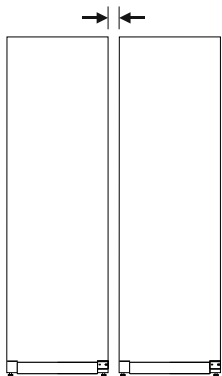


Fig. 5 Side-by-side installation

Note

A side-by-side kit is available as an accessory via Liebherr Customer Service.

12 After installation

- ▶ Take off the protective film from the exterior of the appliance.
- ▶ Clean appliance.
- ▶ If necessary: Disinfect the appliance.
- ▶ Keep the invoice so you have the appliance and dealer information available if needed.

13 Disposing of packaging



WARNING

Danger of suffocation due to packing material and plastic film!

- ▶ Do not allow children to play with packing material.

The packaging is made of recyclable materials:

- corrugated board/cardboard
- expanded polystyrene parts
- polythene bags and sheets



- polypropylene straps
- nailed wooden frame with polyethylene panel*
- ▶ Take the packaging material to an official collecting point.

14 Reversing the door

Tools



Fig. 6



WARNING

Risk of injury if the door is not reversed correctly!

- ▶ The door may only be reversed by qualified personnel.



WARNING

Risk of injury and material damage due to heavy door!

- ▶ Only perform the conversion if you can carry a weight of 25 kg.
- ▶ Always have someone help you carry out the conversion.

NOTICE

Live parts!

Damage to electrical components.

- ▶ Disconnect the power plug before reversing the door.

- ▶ Open the door.

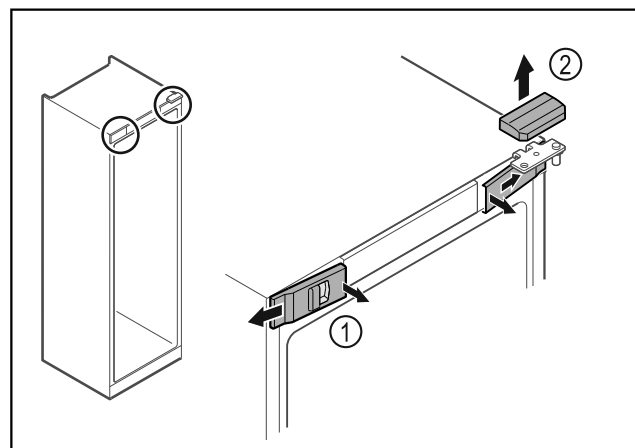


Fig. 7*

- ▶ Unlatch the front covers Fig. 7 (1) on the inside and remove them sideways.*
- ▶ Lift off the upper cover Fig. 7 (2)*

Reversing the door

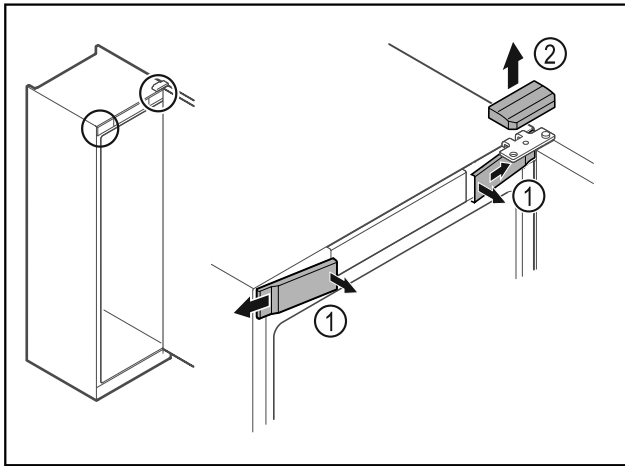


Fig. 8 *

- ▶ Unlatch the front covers Fig. 8 (1) on the inside and remove them sideways.*
- ▶ Lift off the upper cover Fig. 8 (2).*

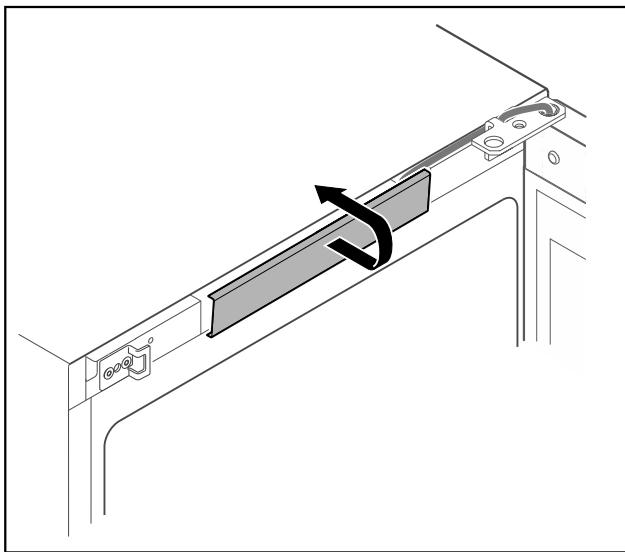


Fig. 9

- ▶ Unlatch the middle cover and remove it.

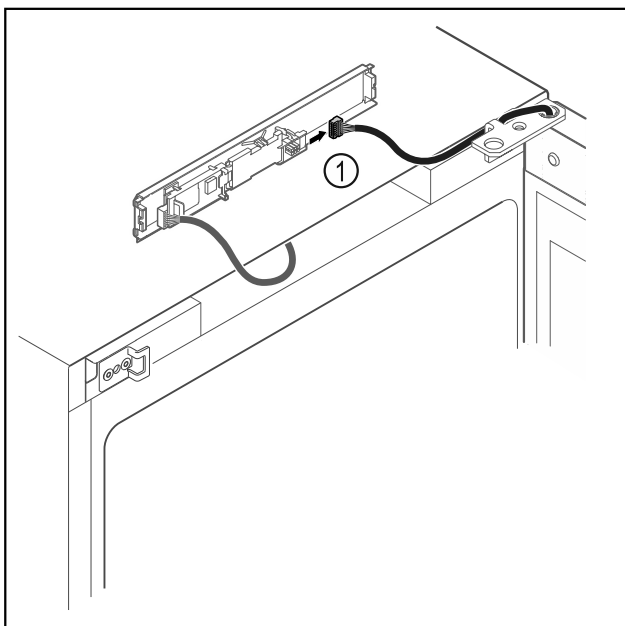


Fig. 10

- ▶ Disconnect the plug Fig. 10 (1) from the circuit board.

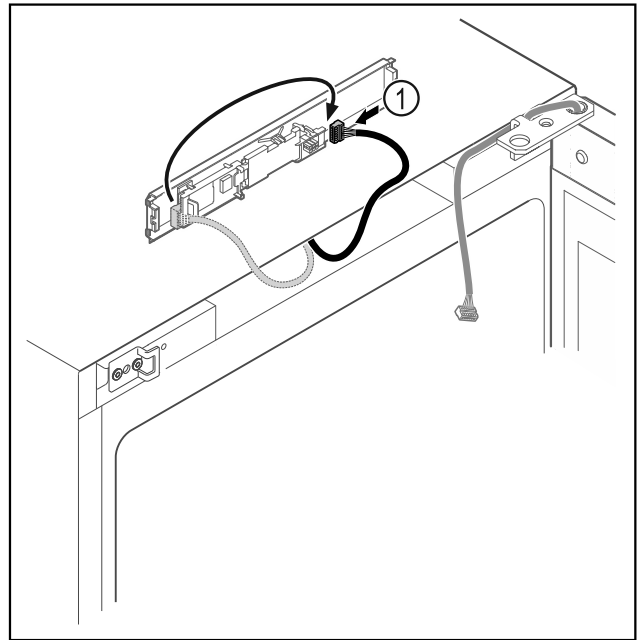


Fig. 11

- ▶ Connect the plug Fig. 11 (1) to the circuit board.

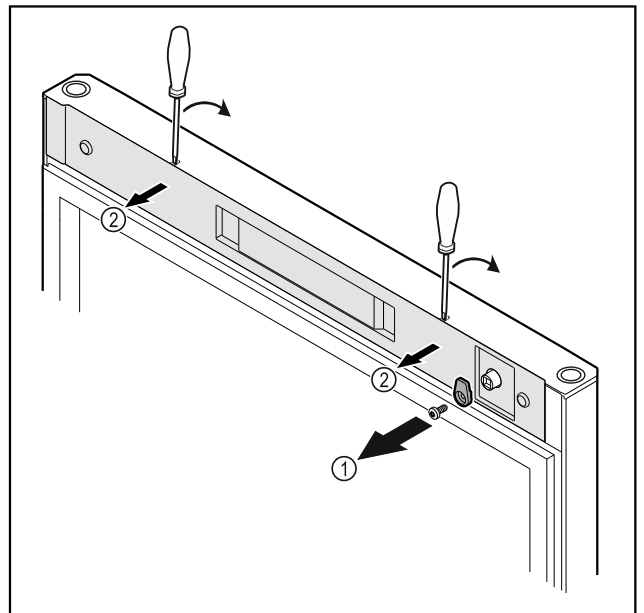


Fig. 12 *

- ▶ Unscrew the door latch Fig. 12 (1)*
- ▶ Unlatch the cover Fig. 12 (2) with a small screwdriver and remove it.*

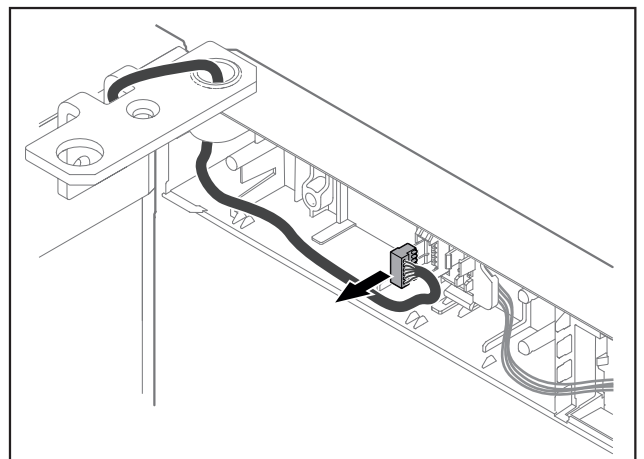


Fig. 13

- ▶ Remove the plug from the plug holder.

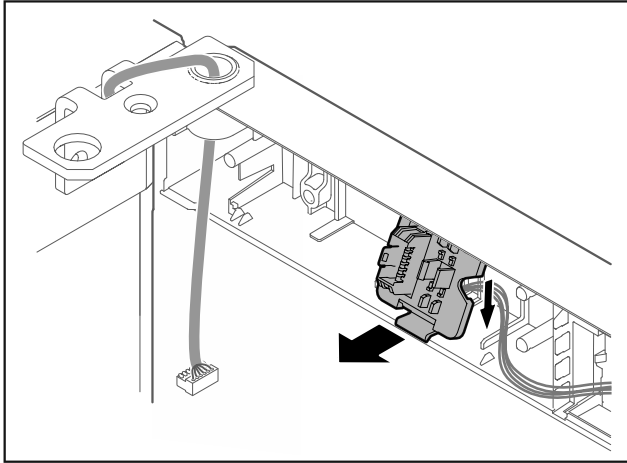


Fig. 14 The installation position of the plug holder can be rotated by 180°.

- ▶ Disengage the plug holder.

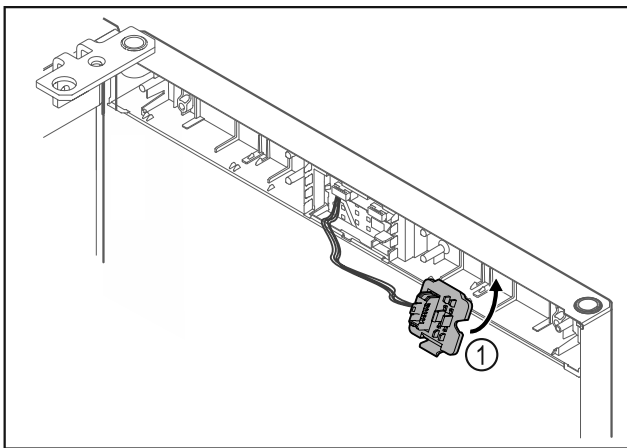


Fig. 15

- ▶ Snap in the plug holder Fig. 15 (1) on the opposite side.

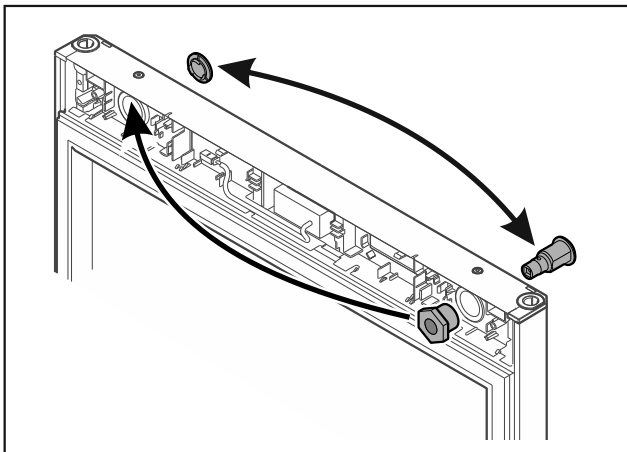


Fig. 16 *

- ▶ Put the lock and cover on the opposite side.*

NOTICE
Risk of injury if the door tips out!
▶ Hold the door.

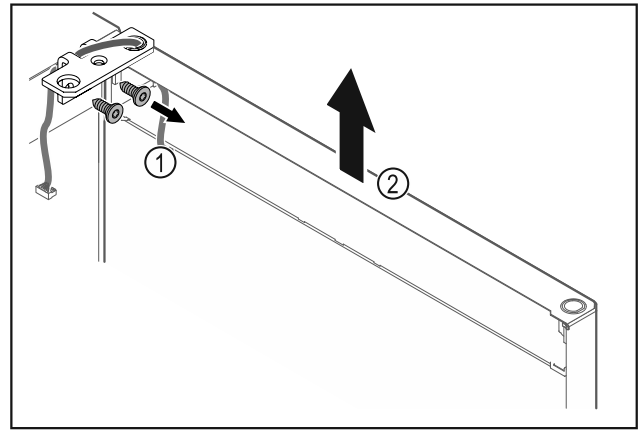


Fig. 17

- ▶ Unscrew the hinge Fig. 17 (1).
- ▶ Lift the door with the hinge straight up by Fig. 17 (2) roughly 200 mm and take it off.
- ▶ Carefully place the door on a soft surface.

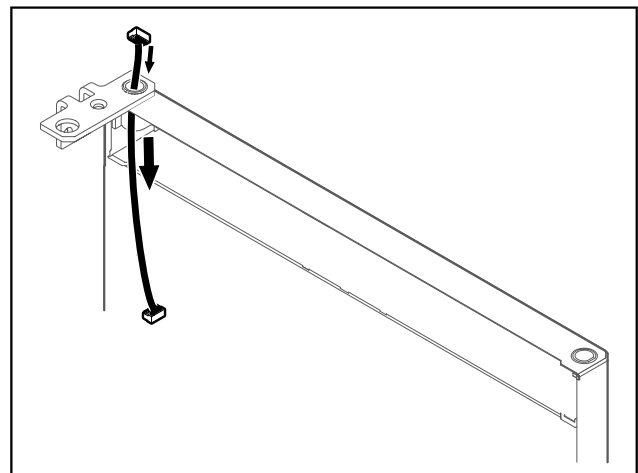


Fig. 18

- ▶ Carefully pull out the cable.

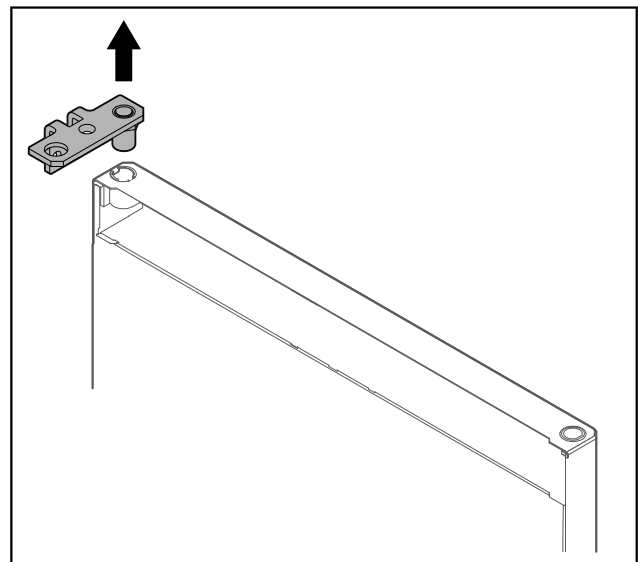


Fig. 19

- ▶ Pull out the hinge.

Reversing the door

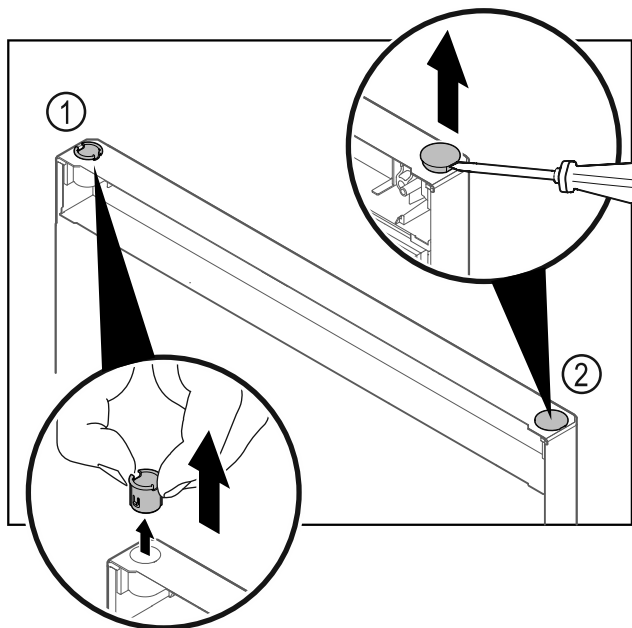


Fig. 20

- ▶ Pull out the hinge bushing Fig. 20 (1) with your fingers.
- ▶ Carefully lift the cover plug Fig. 20 (2) with a slotted screwdriver and pull it out.

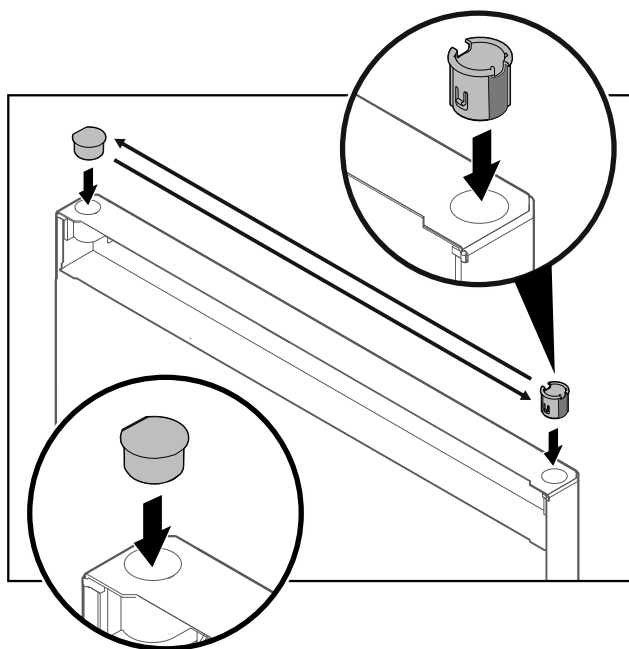


Fig. 21

- ▶ Insert hinge bushing and cover plug on the opposite side (the flattened sides face outwards).

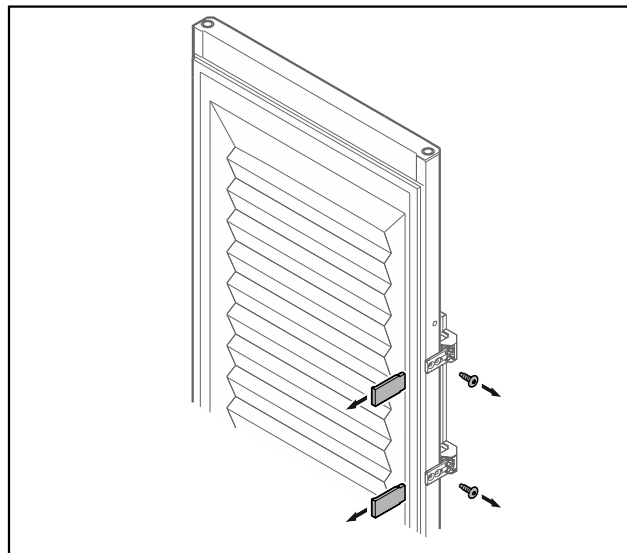


Fig. 22 Insulated door*

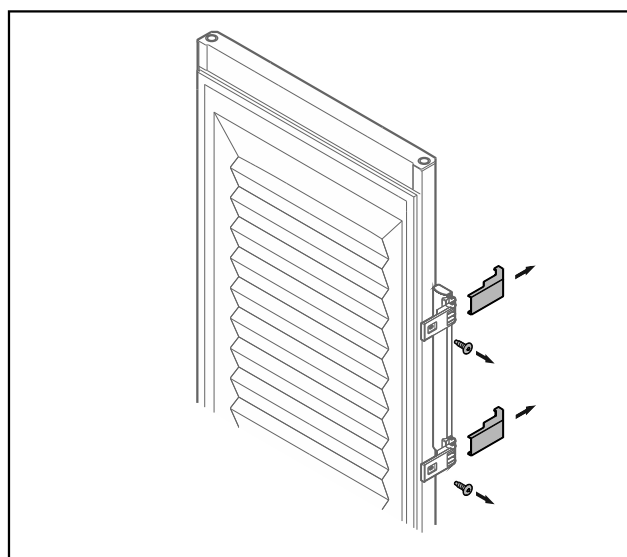


Fig. 22 Insulated door*

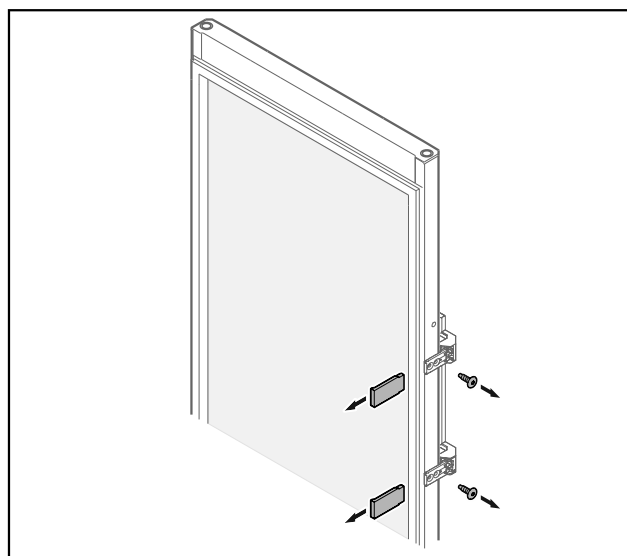


Fig. 23 Glass door*

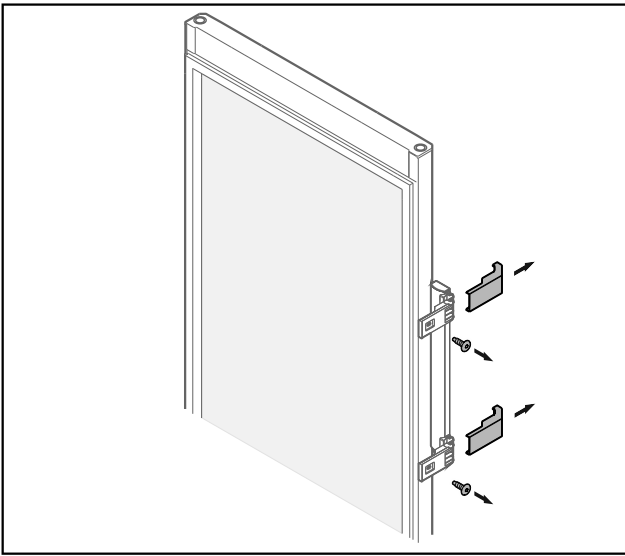


Fig. 23 Glass door*

- ▶ Remove the panels.
- ▶ Unscrew the handle.

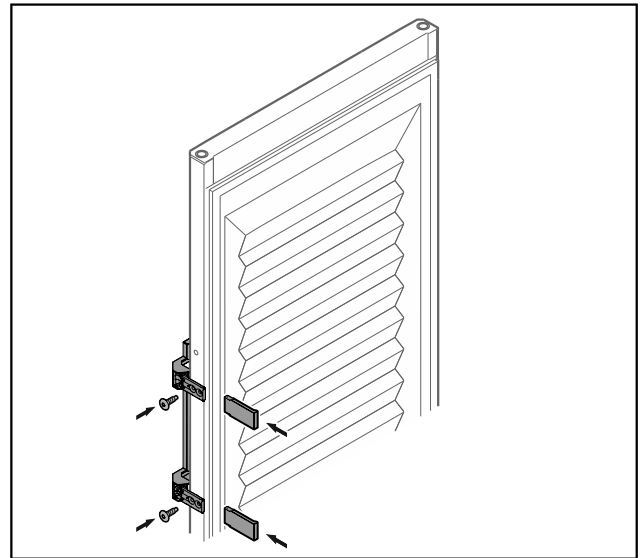


Fig. 25 Insulated door*

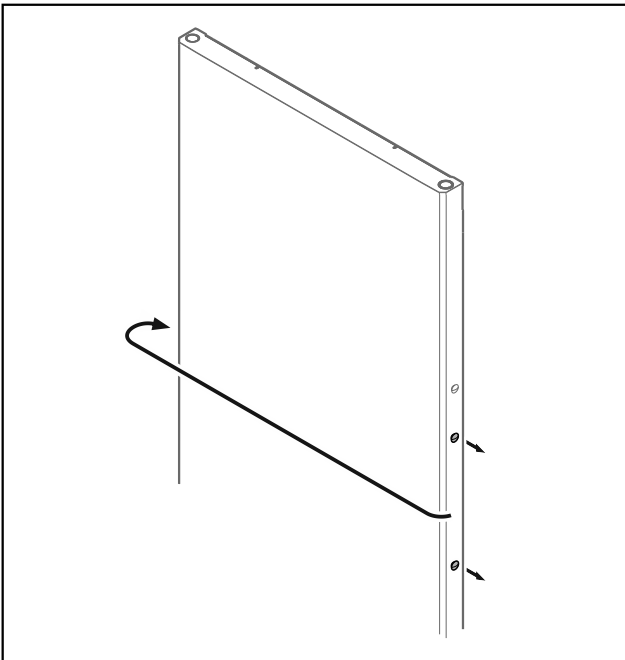


Fig. 24

- ▶ Put the stopper on the opposite side.

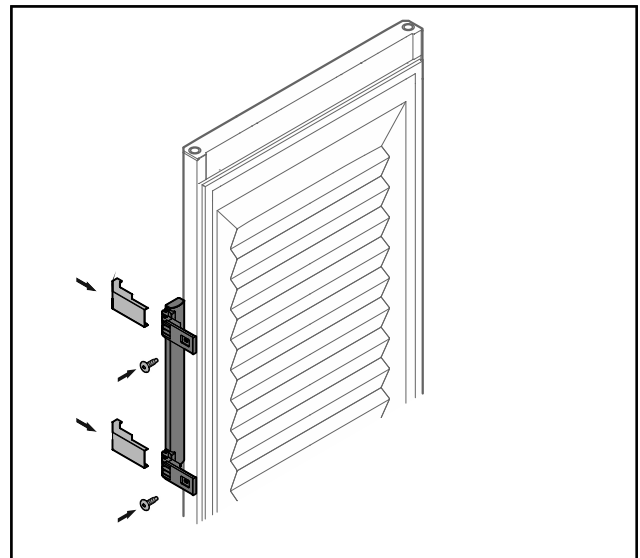


Fig. 25 Insulated door*

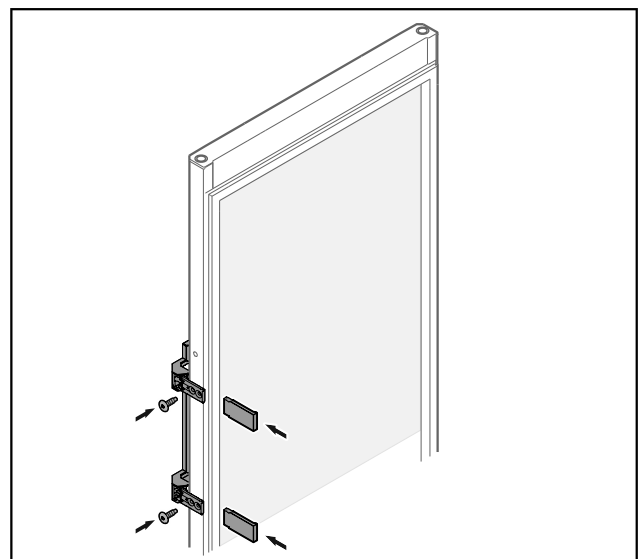


Fig. 26 Glass door*

Reversing the door

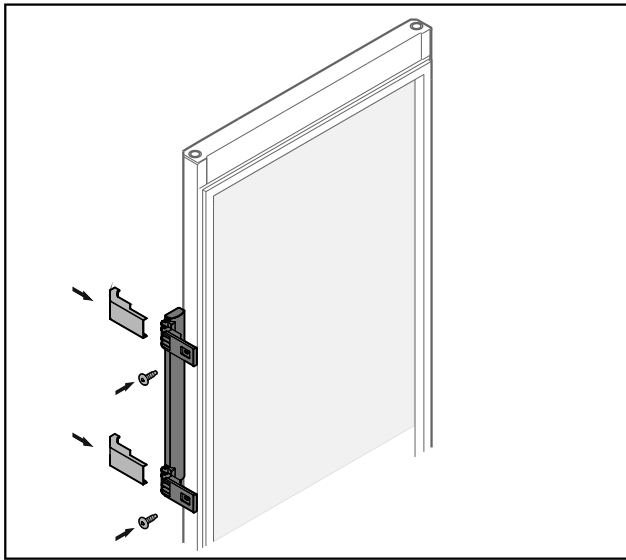


Fig. 26 Glass door*

- ▶ Screw the handle onto the opposite side.
- ▶ Attach the panels.

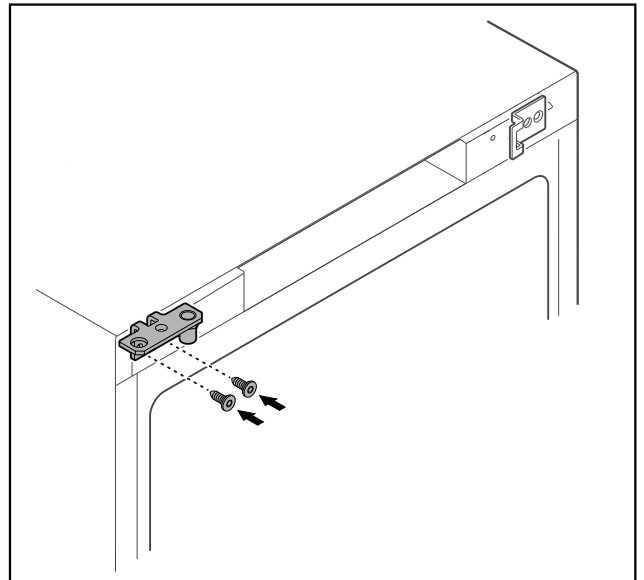


Fig. 28 *

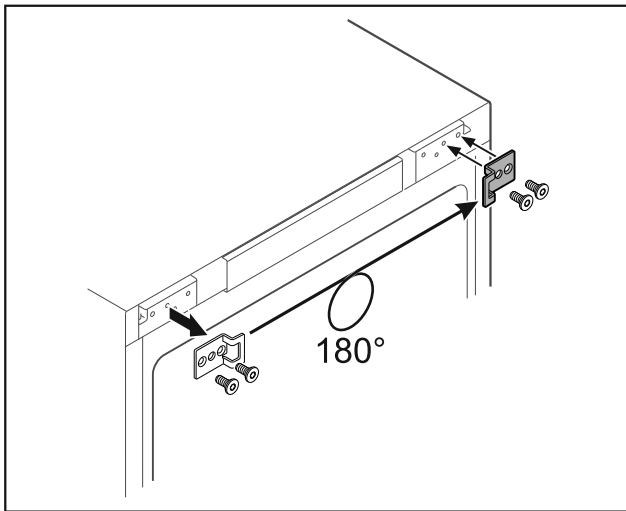


Fig. 27*

- ▶ Put the closing bracket on the opposite side.*

Note

The holes are pre-marked and must be pierced with the self-tapping screws.*

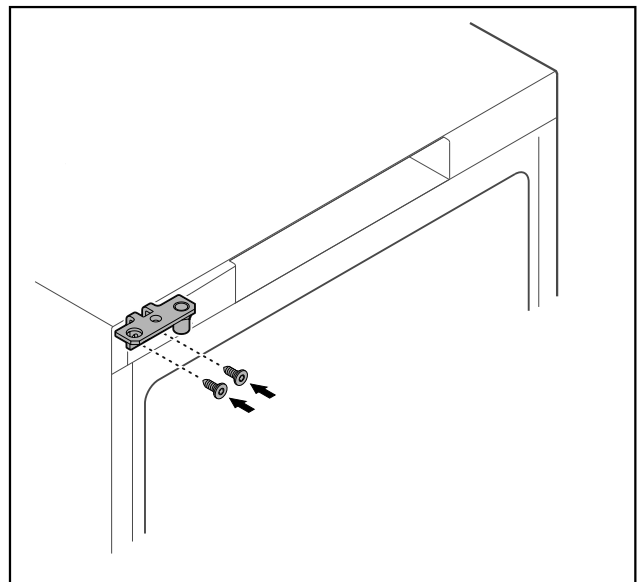


Fig. 29 *

- ▶ Move the hinge to the opposite side.



WARNING

Risk of injury and material damage if the door tips out!

- ▶ Tighten the bearing pins to the specified torque.

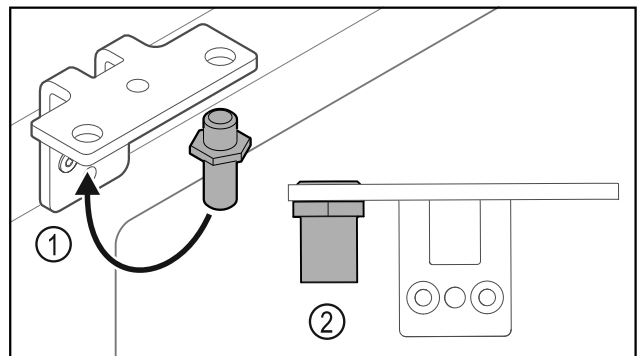


Fig. 30

- ▶ Put the pin back into the hinge Fig. 30 (1).
- ▶ Tighten the pin Fig. 30 (2) to a **torque of 12 Nm**.
- ▶ Unscrew the hinge again.

NOTICE

Risk of injury due to tensioned spring!

- ▶ Do not disassemble the door closing system *Fig. 31 (1)*.

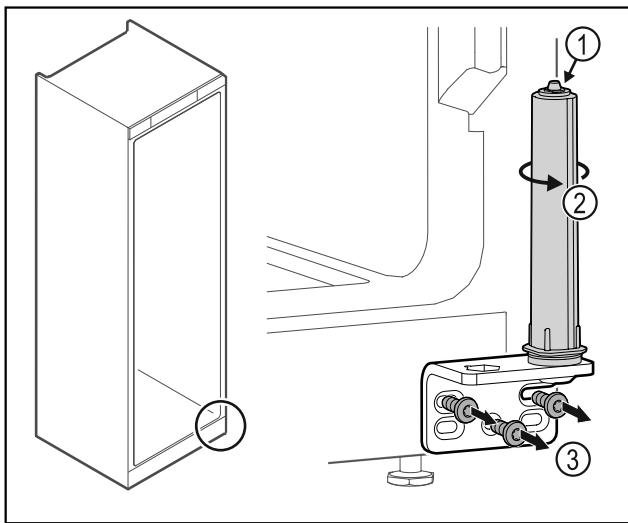


Fig. 31

- ▶ Turn the closing system *Fig. 31 (2)* until it clicks.
- ▷ The tension of the closing system is released.
- ▶ Unscrew the hinge *Fig. 31 (3)*.

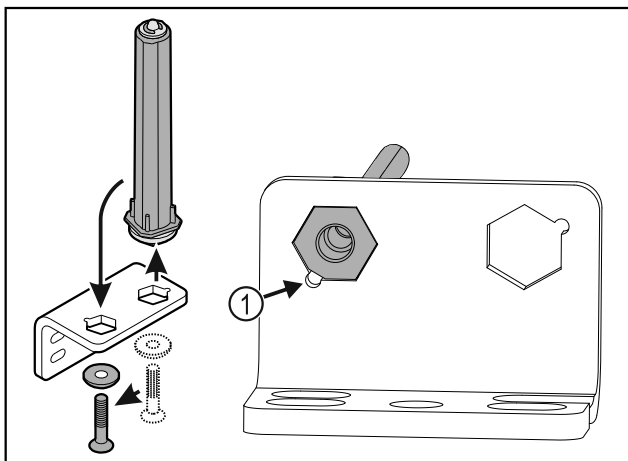


Fig. 32

- ▶ Put the door closing system in the hinge.
- ▶ Make sure the pin chamfer *Fig. 32 (1)* faces the round hole when you put it in.

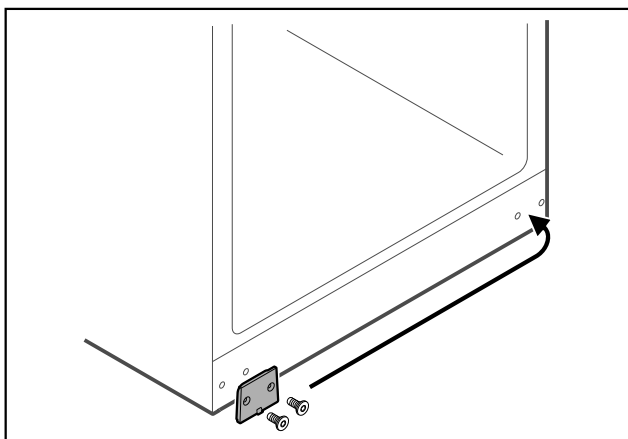


Fig. 33

- ▶ Put the cover plate on the opposite side.

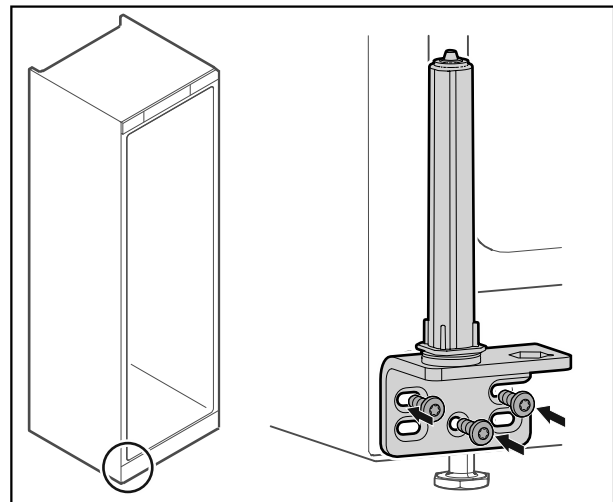


Fig. 34

- ▶ Screw the hinge onto the opposite side.

Note

Correct alignment and tension are important for the closing system to work properly.

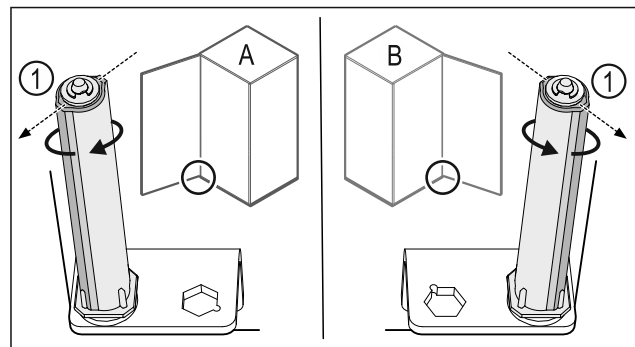


Fig. 35 Left-hinged (A) / Right-hinged (B)

- ▶ Turn the closing system against the resistance until the bar of the closing system *Fig. 35 (1)* points outwards.
- ▷ The closing system automatically stays in this position.
- ▷ The closing system is now aligned and tensioned.

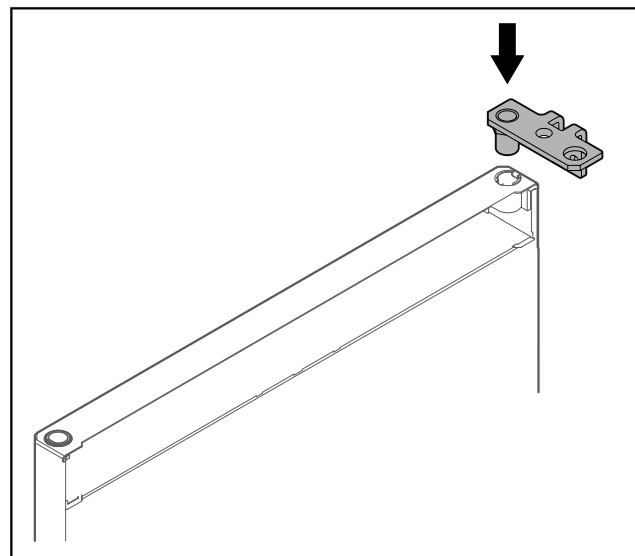


Fig. 36

- ▶ Put the hinge into the door.

Reversing the door

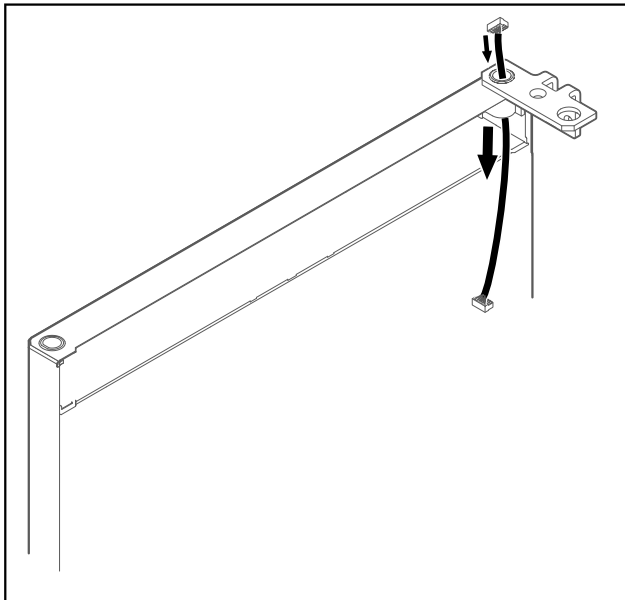


Fig. 37

- ▶ Carefully push the cable through.

NOTICE

Risk of injury if the door tips out!

- ▶ Hold the door.

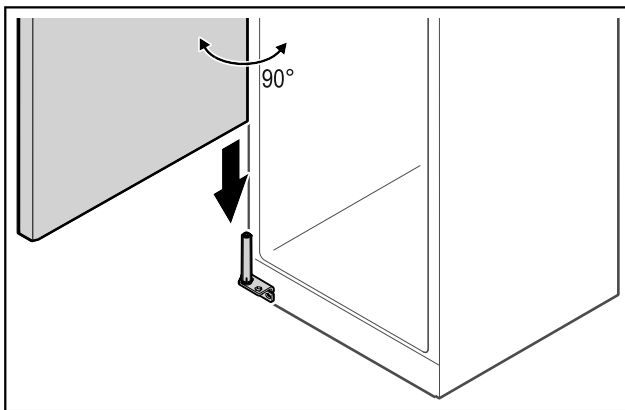


Fig. 38

- ▶ Together with a second person, lift the door from the ground.
- ▶ Carefully put the door on the closing system with the door opened at a 90° angle.

NOTICE

Material damage due to incorrect mounting!

- ▶ Do not pinch the cable when mounting the hinge.

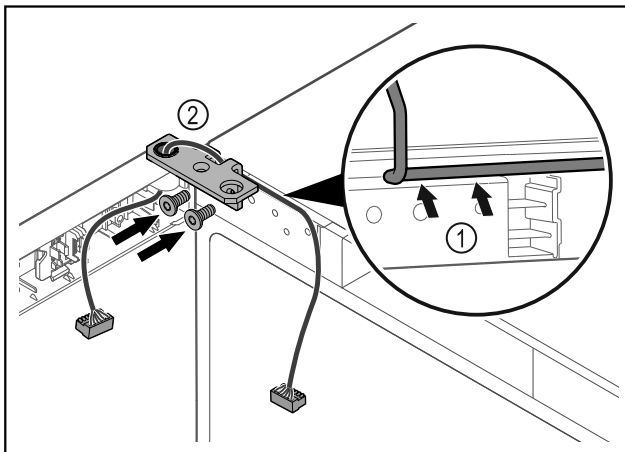


Fig. 39

- ▶ Feed the cable through the recess in the hinge and lay it carefully Fig. 39 (1).
- ▶ Screw on the hinge Fig. 39 (2).

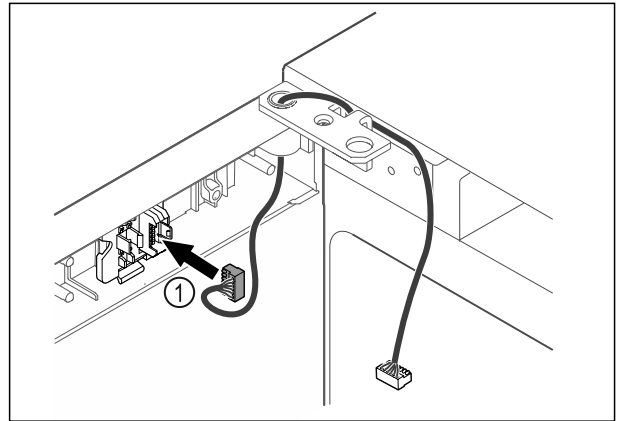


Fig. 40

- ▶ Put the plug Fig. 40 (1) in the plug holder.

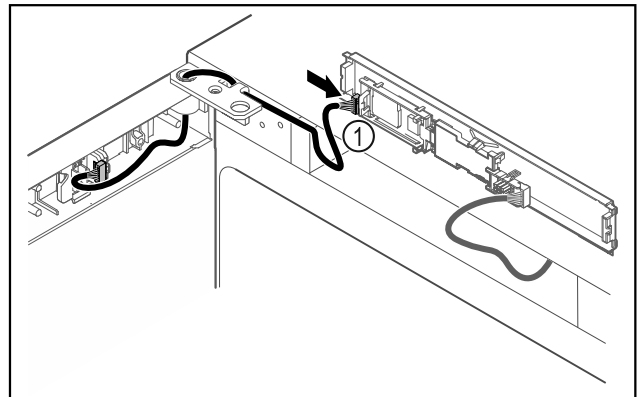


Fig. 41

- ▶ Connect the plug Fig. 41 (1) to the circuit board.

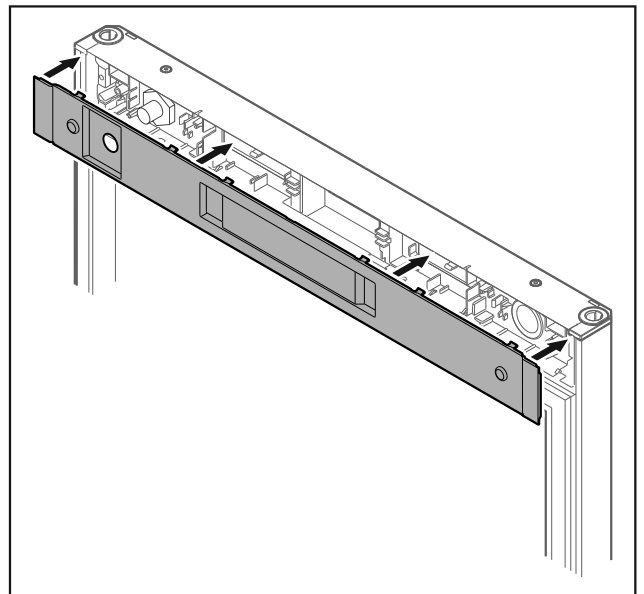


Fig. 42 *

- ▶ Set the cover back in place.*

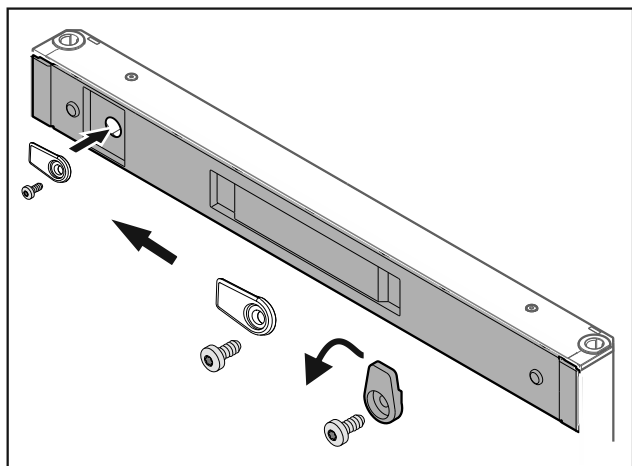


Fig. 43 *

- ▶ Screw on the door latch.*

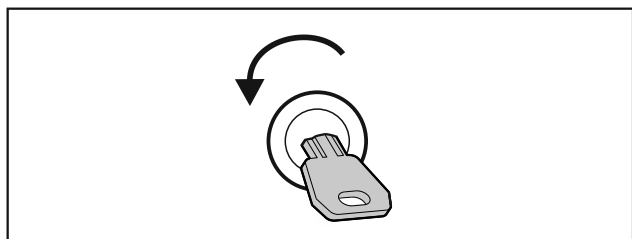


Fig. 44 *

- ▶ Open the door.*

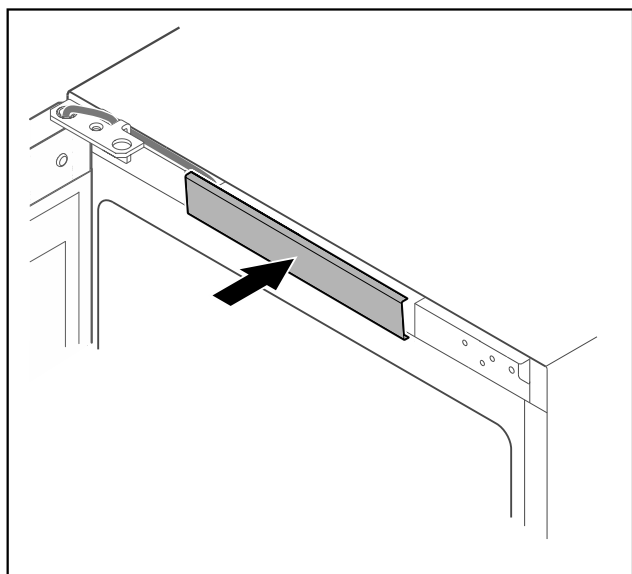


Fig. 45

- ▶ Snap in the middle cover.

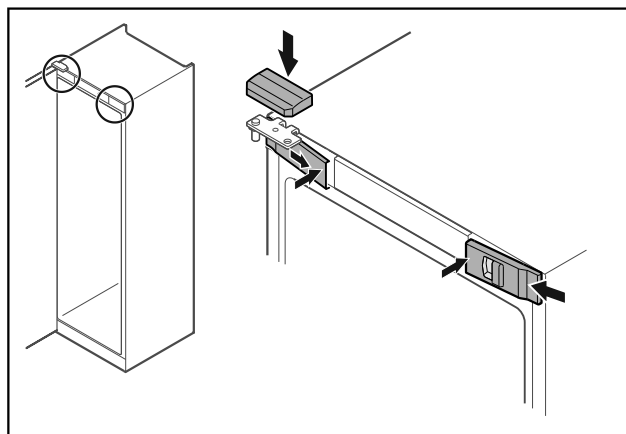


Fig. 46 *

- ▶ Hook in the front covers Fig. 46 (1) on the side and snap them into place on the inside.*
- ▶ Snap on the top cover Fig. 46 (2) from above.*

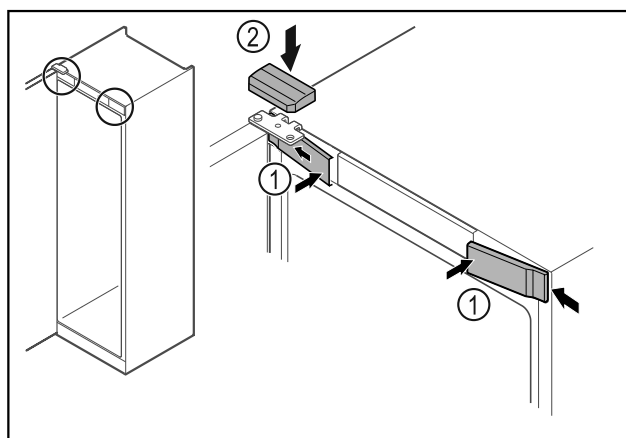


Fig. 47 *

- ▶ Hook in the front covers Fig. 47 (1) on the side and snap them into place.*
- ▶ Snap on the top cover Fig. 47 (2) from above.*
- ▶ Close the door.
- ▷ The door has now been reversed.

15 Aligning the door

If the door is not straight, you can adjust it on the lower hinge.

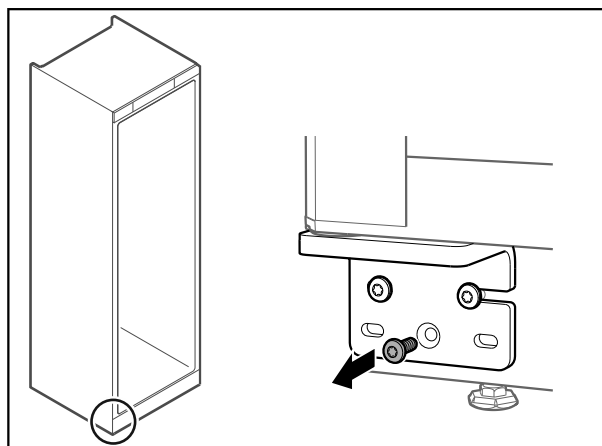


Fig. 48

- ▶ Remove the middle screw on the lower hinge.

Connecting appliance

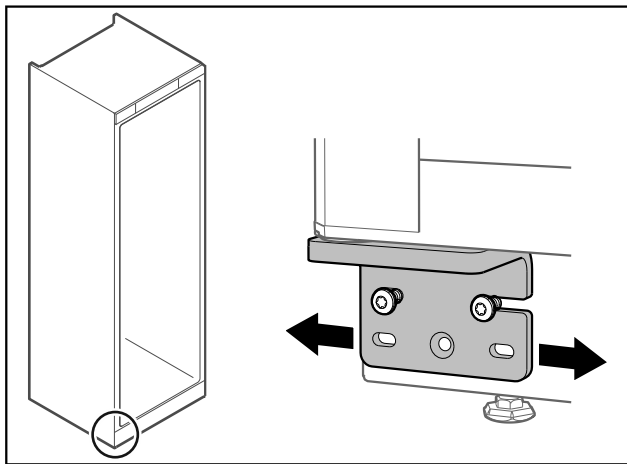


Fig. 49

- ▶ Slightly undo both screws and move the door with the hinge to the left or right.
- ▶ Fully tighten the screws (the middle screw is no longer needed).
- ▷ The door is now straight.

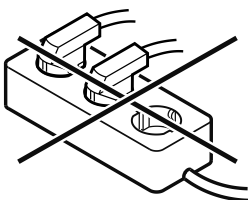
16 Connecting appliance



WARNING

Failure to connect properly
Fire hazard.

- ▶ Do not use an extension cable.
 - ▶ Do not use distributor blocks.
-



NOTICE

Failure to connect properly
Damage to the electronics.

- ▶ Do not connect the appliance to a stand-alone inverter, e.g. solar power systems and petrol generators.
-

Note

Only use the supplied mains cable.

Make sure the following prerequisites are met:

- The appliance is operated using **alternating current** only.
- The permitted voltage and frequency is printed on the type plate. The type plate position can be seen in the appliance overview chapter.
- The socket is earthed according to the regulations and fused.
- The fuse tripping current is between 10 A and 16 A.
- The socket is easily accessible.
- ▶ Check the electrical connection.
- ▶ Insert the appliance plug into the back of the appliance. Ensure that they latch into place.
- ▶ Connect the mains plug to the power supply.
- ▷ The display switches to the standby symbol.



home.liebherr.com/fridge-manuals

EN wine storage

Issue date: 20230209

Part number index: 7083362-00

Liebherr-Hausgeräte GmbH
Memminger Straße 77-79
88416 Ochsenhausen
Deutschland