

WWI 861 WCS PowerWash & TwinDos & 9kg
 W1 front loader washing machine:
 9.0 kg | 1600 rpm | Automatic dispensing | QuickPowerWash



- Precise and automatic detergent dispensing with TwinDos®*
- QuickPowerWash ensures fast, efficient results in just 49 minutes**
- Exclusive CapDosing range for different fabrics and stains***
- Display & convenient operation at your fingertips – ComfortSensor
- Complete App control of your washing machine with Miele@home****

* Patent EP 2 784 205

** This applies to all Miele washing machines that enable the process and machine-related parameters presented in the summary of the WL 1110/18 test report to be implemented.

*** Patent EP 2 365 120

**** This is a separate digital offer from Miele & Cie. KG. The range of functions can vary depending on the model and the country. Acceptance of the Terms and Conditions and Privacy Policy for Miele digital products and services in the Miele App required. Miele reserves the right to change or discontinue the digital offer at any time.

EAN: 4002516981398 / Material number: 12952430 / Old Material Number: 11W18611AUS

General information	
Model identifier	WWI 861 WCS PWash & TDos & 9kg
Manufacturer material number	12952430
EAN number	4002516981398
Construction type	
Suitable for stacking	•
Door hinging	Right
Side-by-side	•
Built-in	•
Model	
Product brand	W1 White Edition
Front-loader	•
Spinning	
Max. spin speed	1600
Rinse hold	•
Without spin function	•
Design	
Appliance colour	Lotus white
Control panel colour	Lotus white
Door design	Obsidian Black with chrome ring
Rotary selector colour	Lotus White / Chrome ring
Control panel version	5° inclined
Control type	Rotary selector
Display	ComfortSensor white, 1 line
Cleaning performance	
Innovative PowerWash technology	•
TwinDos automatic detergent dispensing	•
CapDosing portioned dispensing	•
Stains option	•
Gentle laundry care	
Honeycomb drum	•
Load in kg	9
User convenience	
Networking with Miele@home	•
Delay start up to 24 hours	•
Time left display	•
Programme sequence indicator	•
MultiLingua	•
AutoClean detergent drawer	•
AddLoad	•
Efficiency and sustainability	
Hot water connection	•
Energy/WELS Star Rating	4.5 / 4.5
WELS Details	76 L / wash Cottons 40°C
Registration Details Energy/WELS	ACW1566 / C01821
Foam sensing	•
ProfiEco motor	•

WWI 861 WCS PowerWash & TwinDos & 9kg
 W1 front loader washing machine:
 9.0 kg | 1600 rpm | Automatic dispensing | QuickPowerWash



EAN: 4002516981398 / Material number: 12952430 / Old Material Number: 11WI8611AUS

Wash programmes

QuickPowerWash	•
Automatic plus	•
Cottons (coloureds)	•
Minimum iron	•
Delicates	•
Shirts	•
Silks (hand-washable)	•
Woollens (hand-washable)	•
Express 20	•
Dark garments/Denim	•
Outerwear	•
Proofing	•
Sportswear	•
Down duvets	•
Cottons hygiene	•
Clean machine	•
Cottons arrow	•
First wash	•
Separate rinse/Starch	•
Drain/Spin	•
Pillows hygiene	•

Washing extras

SingleWash	•
Short	•
Soak	•
Pre-wash	•
Water plus	•
Additional rinse cycle	•
Extra quiet	•
Pre-ironing with steam	•
Buzzer	•
AllergoWash	•

Safety

Water protection system	Watercontrol-System
Safety lock	•
PIN code	•
Optical interface	•

WWI 861 WCS PowerWash & TwinDos & 9kg
 W1 front loader washing machine:
 9.0 kg | 1600 rpm | Automatic dispensing | QuickPowerWash



EAN: 4002516981398 / Material number: 12952430 / Old Material Number: 11WI8611AUS

Technical data

Dimensions (H x W x D) in mm	850 x 596 x 643
Dimensions in mm (width)	596
Dimensions in mm (height)	850
Dimensions in mm (depth)	643
Appliance depth in mm with opened door	1077
Voltage in V	230
Fuse rating in A	10
Frequency in Hz	50
Total rated load in kW	2.30
Length of water inlet hose in m	1.60
Length of water drain hose in m	1.50
Length of supply lead in m	2

Accessories supplied

3 caps	•
UltraPhase 1 + 2	•

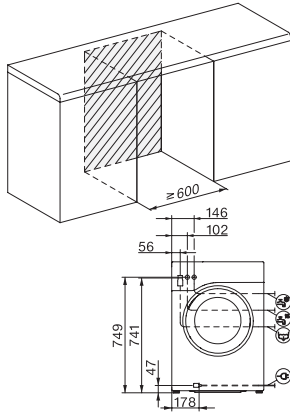
Available display languages

Available display languages via MultiLingua

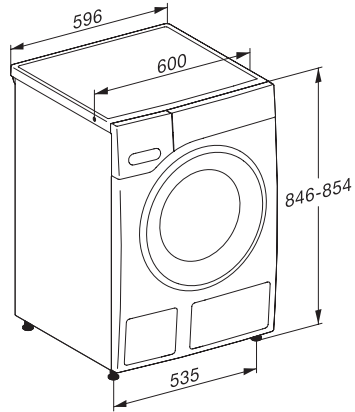
Bahasa Malaysia, Dansk, Deutsch, Eesti, English, English (AU), English (CA), English (GB), English (US), Español, Français, Français (CA), Français (FR), Hrvatski, Italiano, Latviesu, Lietuviu, Magyar, Nederlands, Norsk, Polski, Português, Русский, Română, Slovenčina, Slovenščina, Srpski, Suomi, Svenska, Türkçe, Українська, Čeština, Σλληνικά.

WWI 861 WCS PowerWash & TwinDos & 9kg
W1 front loader washing machine:
9.0 kg | 1600 rpm | Automatic dispensing | QuickPowerWash

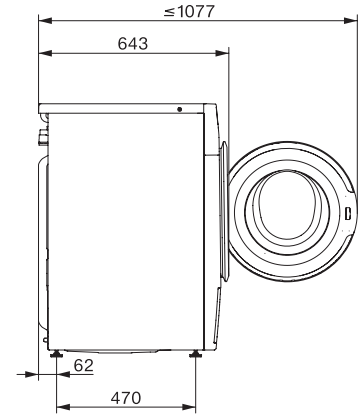
Installation diagrams



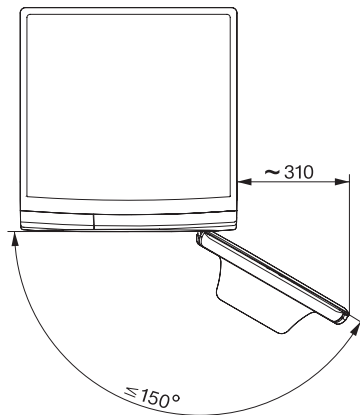
W1 drawing, fascia 5 degree, measures in mm



W1 drawing, fascia 5 degree, measures in mm



W1 drawing, fascia 5 degree, measures in mm



W1 drawing, fascia 5 degree, measures in mm