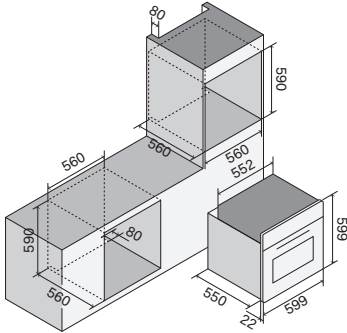


# OV60SLT3

60 cm electronic oven, stainless steel, 60 cm, 30-320°C



## General features

- Energy class A+
- Operating temperature 30-320°C
- Programmer electronic touch TFT
- Electronic temperature control
- Cooking probe
- Lighting double internal light
- Automatic light switch-on when door opens
- Full glass oven door
- Soft-closing door
- Door glass with triple glass (EN60335-2-6-11.101)
- High density insulation
- Ventilation cooling tangential
- Child safety

## Cavity features

- Muffle with easy clean enamel
- Internal dimensions 43,7×36×41 cm
- Capacity 65 L
- Steam discharge controlled with dry or moist cooking option
- Folding grill heating element
- Thermostat with electronic probe

## Consumptions

- Maximum input 2,45 kW
- Top electrical heating element 1000 W
- Bottom electrical heating element 1100 W
- Electric grill 2100 W
- Circular heating element 2100 W

## Colour range



Stainless steel - SS

## Finishes



Satin

## Functions



Pizza function



Defrosting



Multiple fan cooking



Multiple moist fan cooking



Intensive cooking



Moist intensive cooking



Fan grill cooking



Grill cooking with closed door



Cooking from above



Moist cooking from above



Cooking from below



Moist cooking from below



Static normal cooking



Moist static normal cooking



ECO cooking



Hydrolysis cleaning