

USER MANUAL

WINE & BEVERAGE FRIDGE
MODEL: KBU190BW | KBU190B2 | KBU190W2



KBU190BW



KBU190B2



KBU190W2

PLEASE NOTE:
EVERY TIME THE UNIT IS POWERED ON, THERE WILL BE A 6 MINUTE DELAY FOR THE COMPRESSOR TO START.

COMPRESSOR REFRIGERATORS

CONTENTS

Congratulations

Congratulations and thank you for choosing our KingsBottle refrigerators . We are sure you will find your new appliance a pleasure to use . Before installing and operating the refrigerator, we recommend that you read through this manual which provides a description of your refrigerator and its functions .

To avoid the risks that are always present when you use an electric appliance, it is important that the appliance is installed correctly and that you read the safety instructions carefully to avoid misuse and hazards .

We recommend that you keep this instruction booklet for future reference and pass it on to any future owners .

After unpacking the appliance, please inspect it to verify it is not damaged. If in doubt, do not use the appliance but contact us or your local customer care centre

TABLE OF CONTENTS

Chapter	Contents	Page
Part I	Important Safety & Pre-Use Instructions	3
Part II	Diagram & Description of Refrigerator	4-6
Part III	Installation Instructions	7-10
Part IV	Temperature Setting and Refrigerator Operating	11-12
Part V	Layout & Storage	13
PART VI	Maintenance	14
Part VII	Troubleshooting Guide	15
Part VIII	Technical Data	16
Part IX	Warranty Information	16

Description of product number:

KBU: KingsBottle USA

KB: KingsBottle (Australia)

BW: Beer and Wine Combo

SS: Glass Door With Stainless Steel Door Frame

BLK: Glass Door With Black Door Frame

Prop. 65 Warning for California Residents



WARNING

Cancer and Reproductive Harm -
www.P65Warnings.ca.gov

DISCLAIMER

The manufacturer accepts no liability for any spoilage to the content of the refrigerator, not even when the device is within the warranty period. Similarly, the manufacturer accepts no liability for personal injury due to incorrectly stored goods, which are for personal consumption or resale.

COMPRESSOR REFRIGERATORS

PART I IMPORTANT SAFETY INSTRUCTIONS

Please read this user manual carefully and store in a handy place for later reference . The symbols you will see in this booklet have these meanings:



This symbol indicates information concerning your personal safety



This symbol indicates information on how to avoid damaging the appliance



This symbol indicates tips and information about use of the appliance



This symbol indicates tips and information about economical and ecological use of the appliance



TO REDUCE THE RISK OF FIRE, ELECTRICAL SHOCK, OR INJURY WHEN USING YOUR APPLIANCE, FOLLOW THESE BASIC PRECAUTIONS:

1. Read all instructions before using the refrigerator.
2. DANGER or WARNING: Risk of child entrapment. Child entrapment and suffocation are not only problems of the past. Junked or abandoned appliances are still dangerous... even if they will "just sit in the garage for a few days".
3. Before you throw away your old refrigerator:
 - Take off the door.
 - Leave the Shelves in pieces so that children may not climb inside easily.
4. Never allow children to operate, play with, or crawl inside the appliance.



1. The refrigerator must be plugged into its own dedicated 110-115V, 50/60Hz AC electrical outlet .
2. The plug must be accessible when the cooler is in position.
3. It is essential the power point is properly grounded . Consult a qualified electrician if you are unsure .
4. Don't use extension cords or adapter plugs with this cooler .
5. If the power cord is damaged, have it replaced by a qualified service technician .

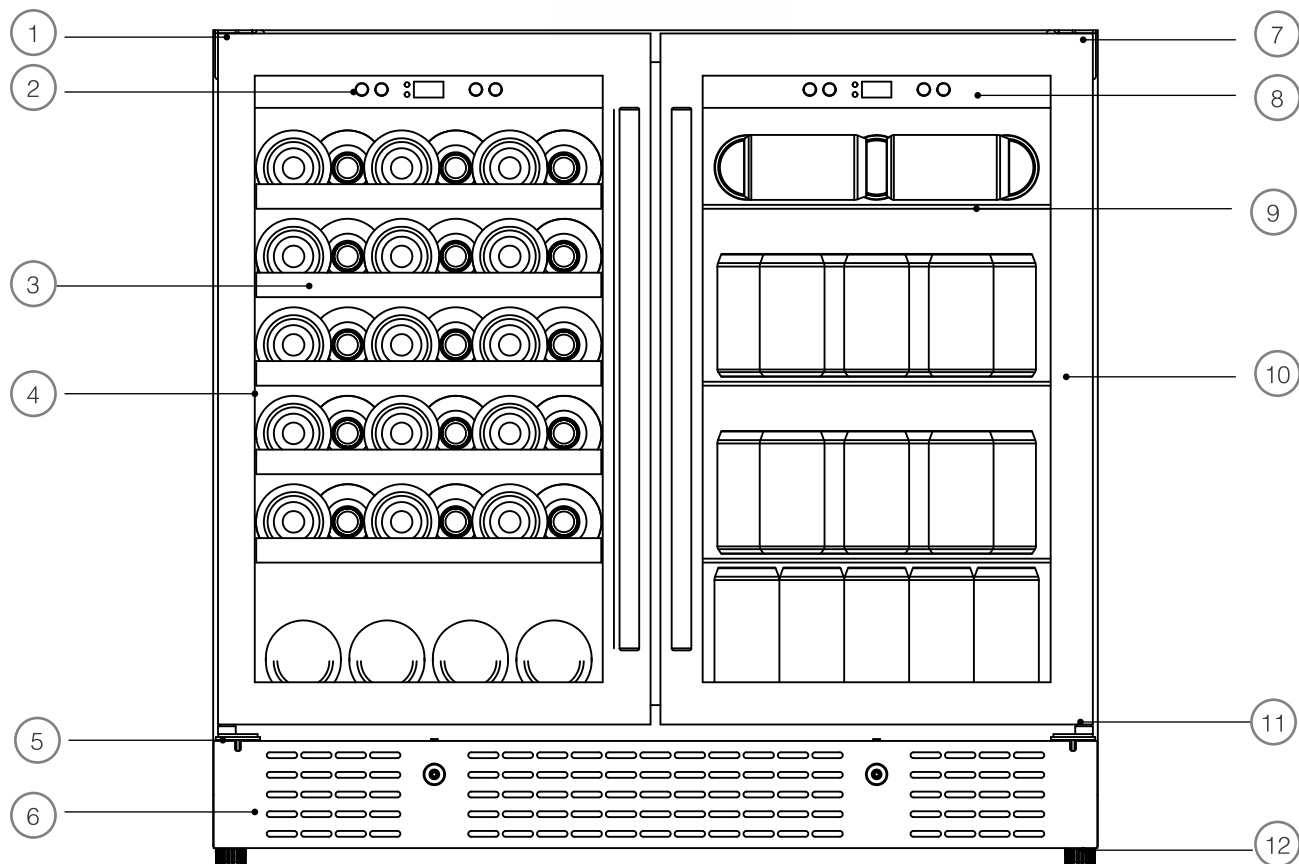
6. Unplug the cooler before cleaning it, or changing the light bulb to avoid electric shock .
7. Never clean appliance parts with flammable fluids. The fumes can create a fire hazard or explosion.
8. Never unplug the cooler by pulling the electrical cord as this may damage it. Grip the plug firmly and pull straight out .
9. Choose a location for your cooler that isn't too cold . The ambient room temperature should be above 50°F .
10. Stand your cooler in a dry place – avoid areas of high moisture or humidity .
11. Don't put the cooler in frosty or unprotected areas like a garage or on the verandah .
12. Keep the cooler out of direct sunlight .
13. Don't locate the cooler near stoves, fires or heaters .
14. Do not store in the vicinity of any other appliance. Do not store near gasoline or any other flammable vapors. The fumes can create a fire hazard or explosion.
15. When installed correctly, your cooler should:
 - Have adequate space at the back and sides for air circulation. (See Page 5)
 - Be aligned to the surrounding cupboards .
 - Have doors that will self-close from a partially open position

BEFORE USING YOUR REFRIGERATOR

1. Remove the exterior and interior packing.
2. Before connecting the refrigerator to the power source, let it stand upright for approximately 24 hours. This will reduce the possibility of a malfunction in the cooling system from handling during transportation.
3. Clean the interior surface with lukewarm water using a soft cloth.

FEATURES

PART II DIAGRAM & DESCRIPTION OF REFRIGERATOR



KB190BW

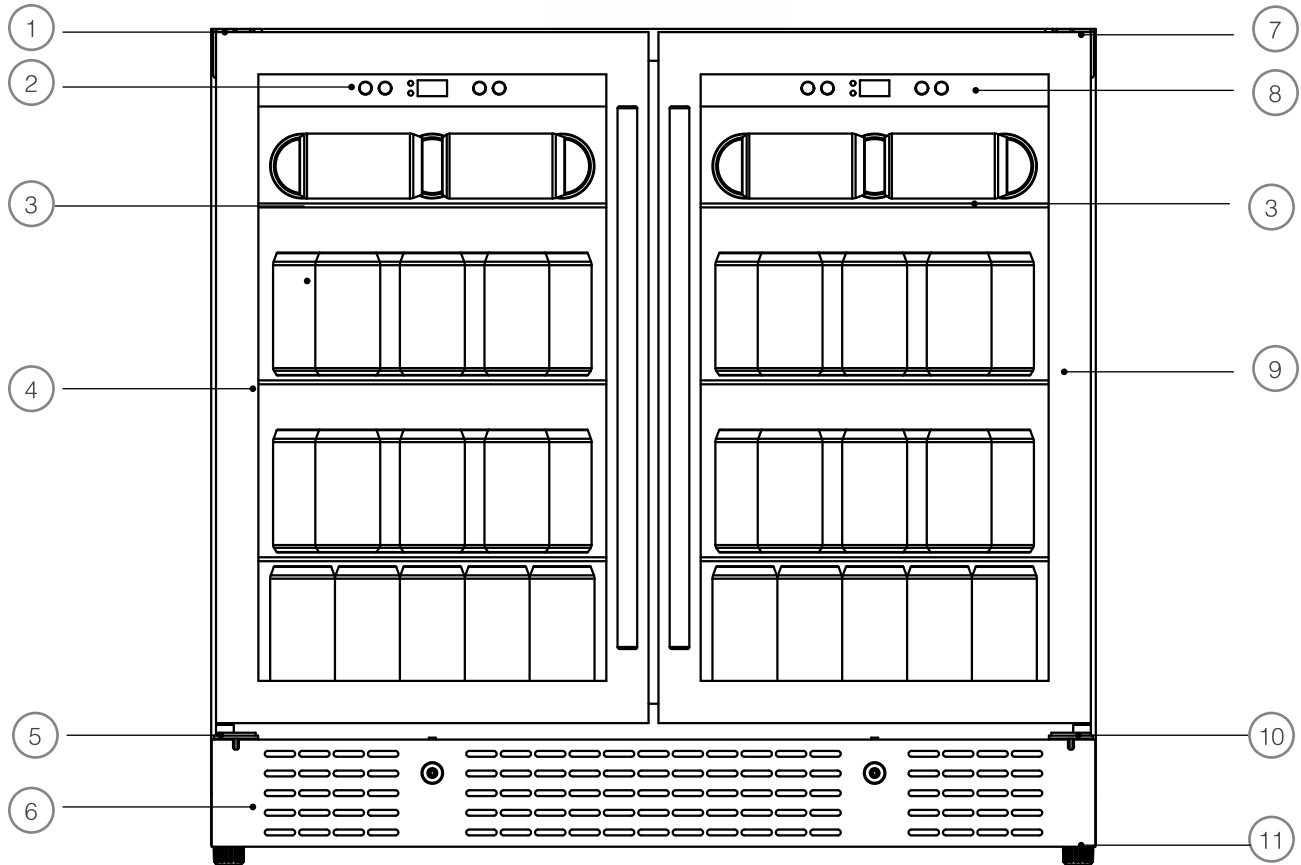
- | | | | |
|---|----------------------------|----|-------------------|
| 1 | Left upper hinge | 9 | Glass shelf |
| 2 | Left control panel | 10 | Right door |
| 3 | Wooden shelf | 11 | Right lower hinge |
| 4 | Left door with handle/lock | 12 | Stand feet |
| 5 | Left lower hinge | | |
| 6 | Front venting grille | | |
| 7 | Right upper hinge | | |
| 8 | Right control panel | | |

YOUR REFRIGERATOR ALSO INCLUDES THE FOLLOWING:

- Instruction manual
- Keys

COMPRESSOR REFRIGERATORS

PART II DIAGRAM & DESCRIPTION OF REFRIGERATOR



KB190B2

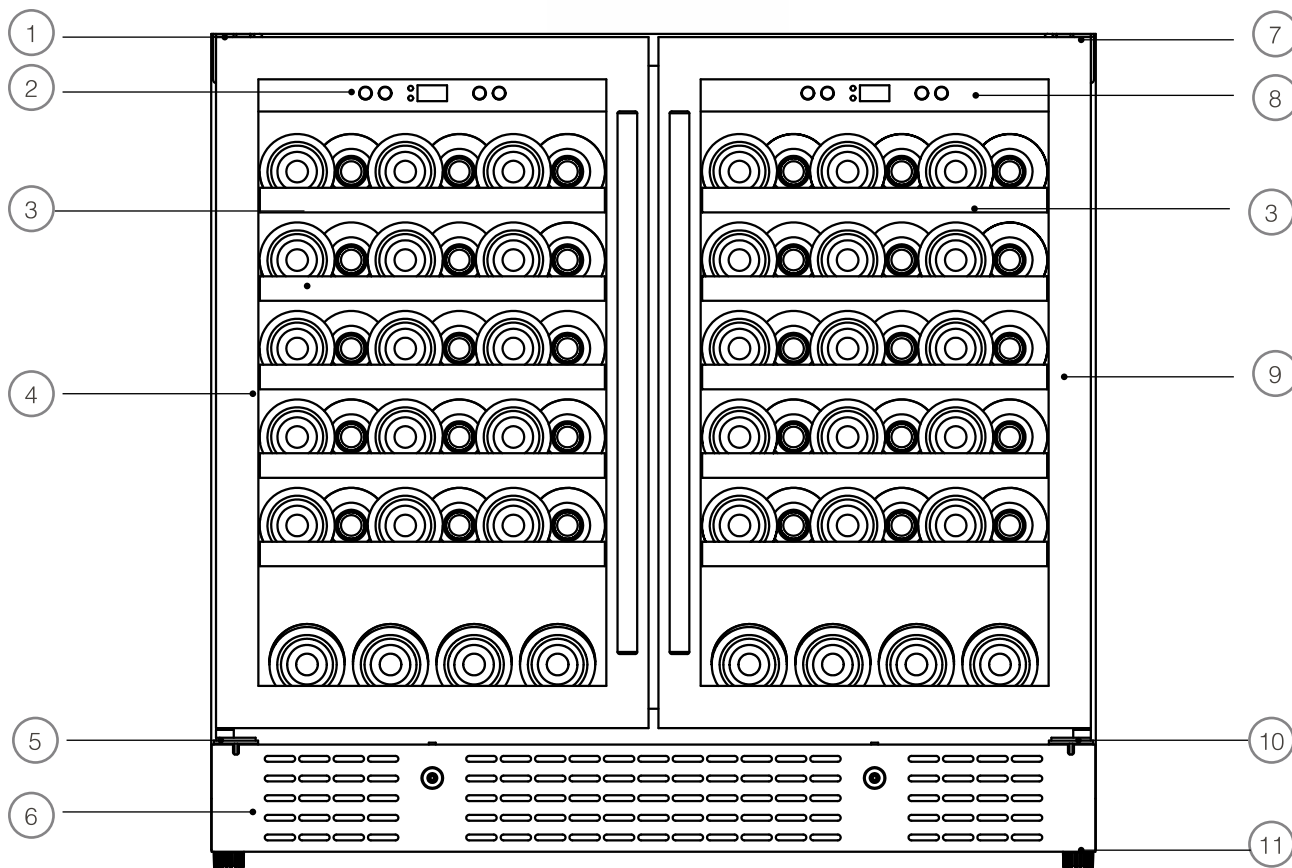
- | | | |
|------------------------------|------------------------|----------------------|
| 1 Left upper hinge | 5 Left lower hinge | 9 Right door |
| 2 Left control panel | 6 Front venting grille | 10 Right lower hinge |
| 3 Glass shelf | 7 Right upper hinge | 11 Stand feet |
| 4 Left door with handle/lock | 8 Right control panel | |

YOUR REFRIGERATOR ALSO INCLUDES THE FOLLOWING:

- Instruction manual
- Keys

FEATURES

PART II DIAGRAM & DESCRIPTION OF REFRIGERATOR



KB190W2

- | | | |
|------------------------------|------------------------|----------------------|
| 1 Left upper hinge | 5 Left lower hinge | 9 Right door |
| 2 Left control panel | 6 Front venting grille | 10 Right lower hinge |
| 3 Wooden shelf | 7 Right upper hinge | 11 Stand feet |
| 4 Left door with handle/lock | 8 Right control panel | |

YOUR REFRIGERATOR ALSO INCLUDES THE FOLLOWING:

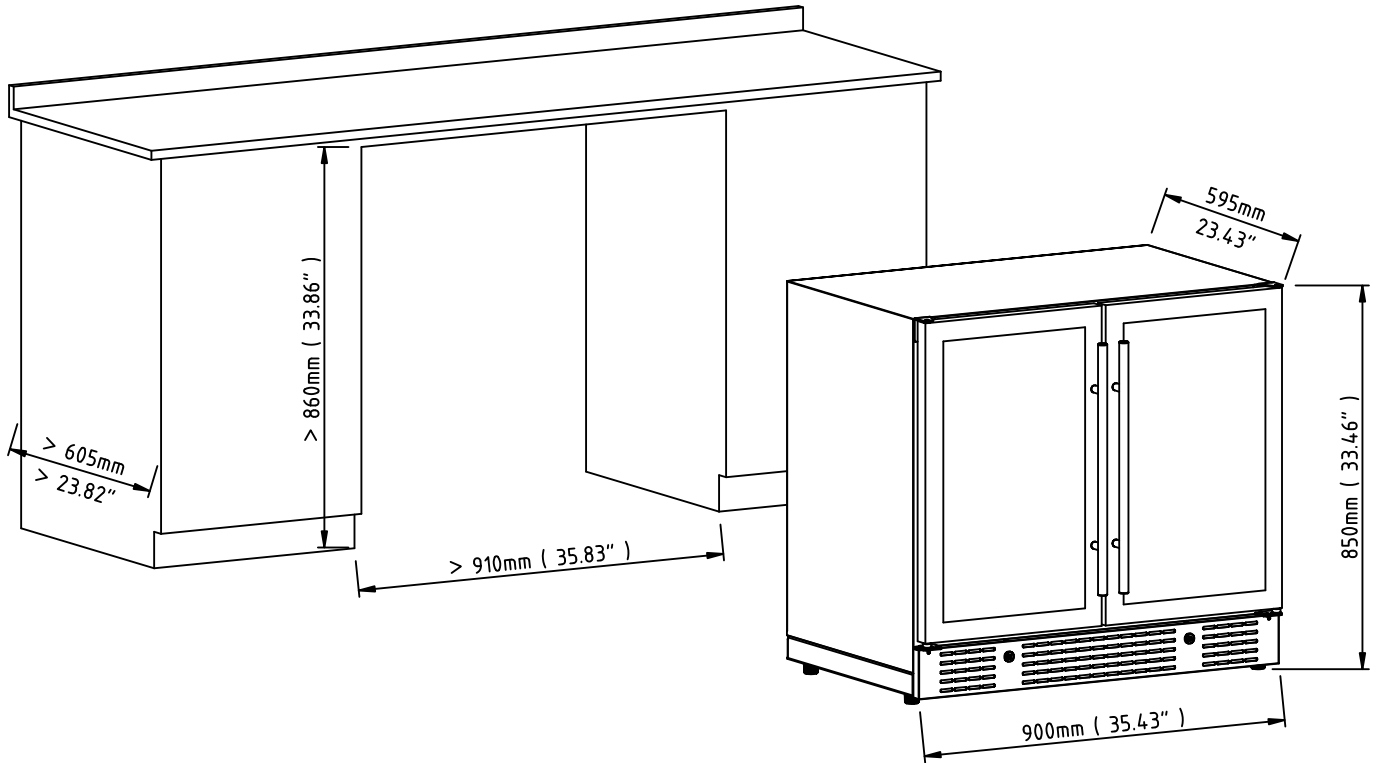
- Instruction manual
- Keys

COMPRESSOR REFRIGERATORS

INSTALLATION

PART III INSTALLATION INSTRUCTIONS

CUTOUT DIMENSION ILLUSTRATED (MINIMUM CAVITY SPACE REQUIRED)



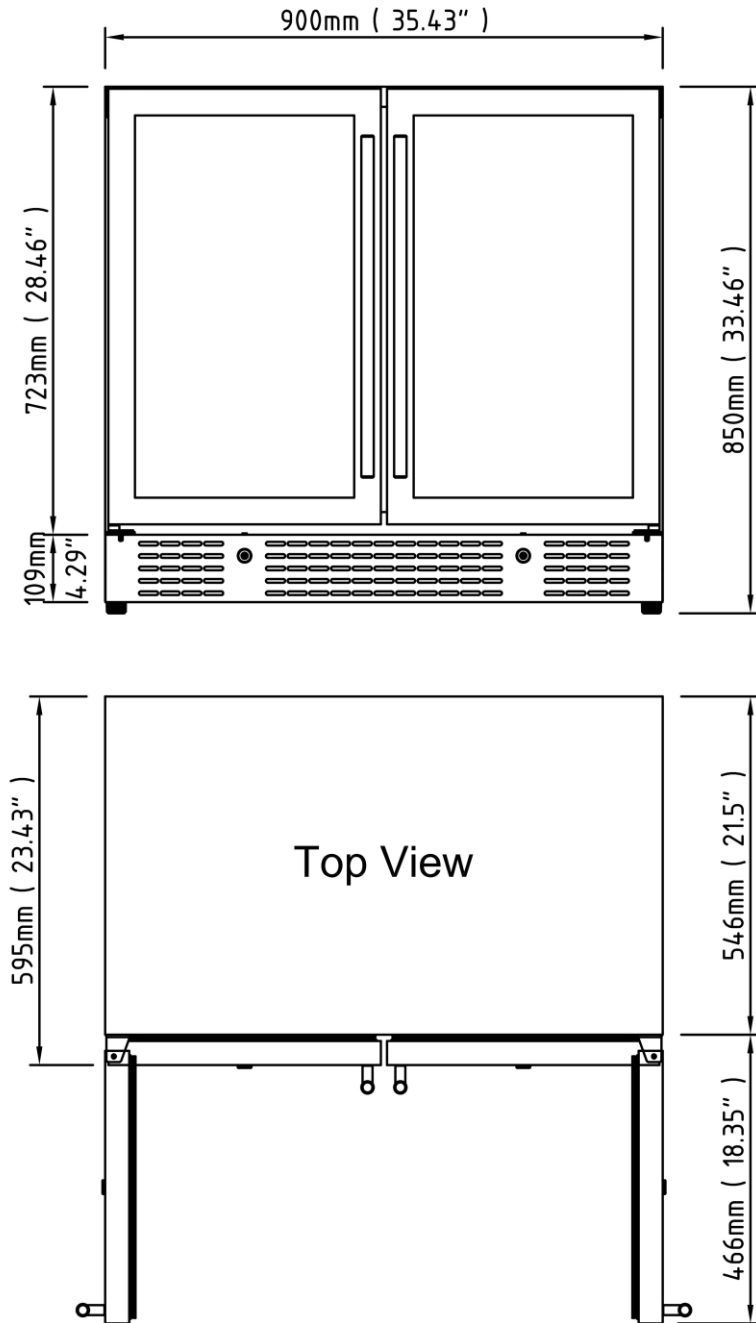
The illustrated cutout dimension allows for door swing and access to the pull-out shelves when installed as a built-in appliance.
If installing between frameless cabinets, a 1/2" wide filler strip or side panel may be needed on hinge side.
The filler strip will act as a spacer between the appliance case and adjacent cabinet door swing.

Failure to allow minimum clearances will void all warranties

INSTALLATION

PART III INSTALLATION INSTRUCTIONS

DIMENSIONS



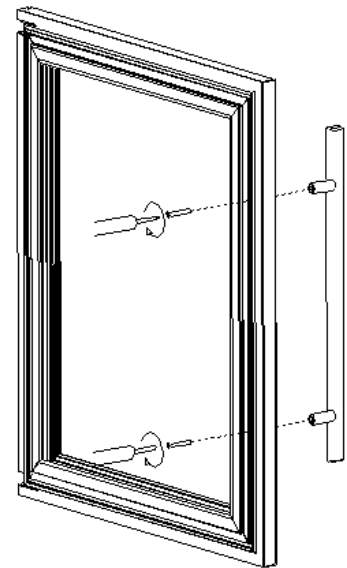
COMPRESSOR REFRIGERATORS

PART III INSTALLATION INSTRUCTIONS

Handle Installation Method

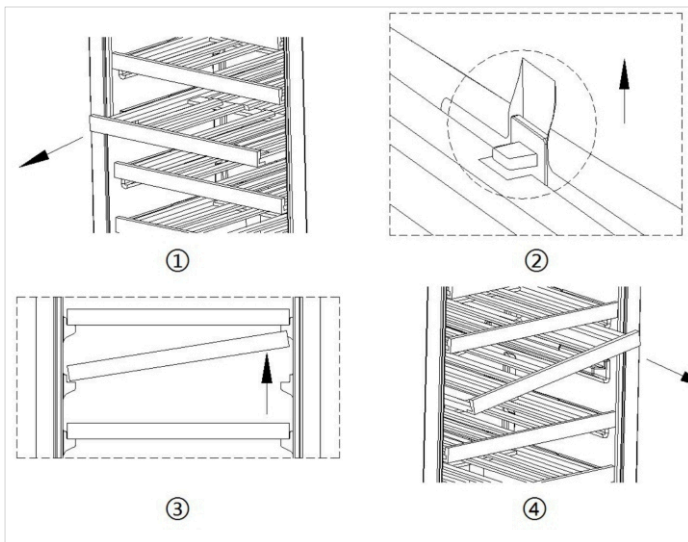
To install the handle, please follow these instructions:

- Carefully pull the door gasket (seal) away from the door in the area where the handle will be attached.
- Place the handle over the screw holes on the outside of the door and attach it with the screws that have been provided. Tighten the screws.
- Press the door gasket back into its groove.



How To Put Off The Shelves

1. Take out all items from the shelves you are going to remove.
2. Please keep the door opened fully all the way before pulling out the shelves.
3. Pull out the shelf horizontally (seeing #1) aligning the wood notch and groove (seeing #2).
4. Lift shelf (see #3) and remove completely (see #4).



Storage

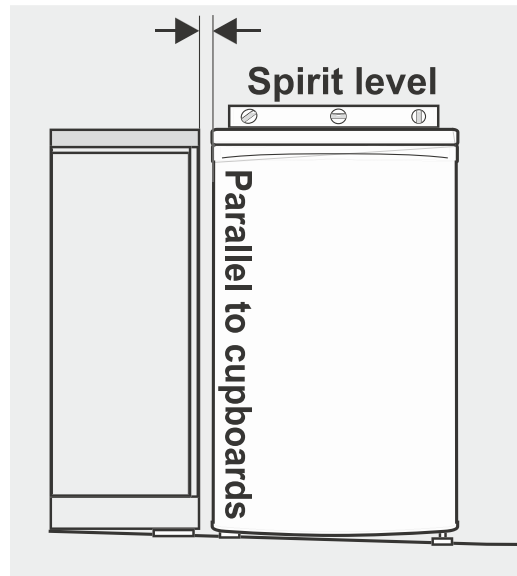
- Bottles can differ in size. Accordingly, the actual number of bottles you can store may vary.
- The approximate maximum bottle capacity can be achieved when storing traditional 750 ml Bordeaux bottles in bulk storage.
- You may load your wine bottles in single rows or by stacking while taking note of the following: if you do not have enough bottles to fill your wine cellar, it is better to distribute the load throughout the wine cellar so as to avoid “all on top” or “all below” type loads.
 - Do remove or relocate adjustable wooden shelves to accommodate larger types of bottles or increase the capacity of the cellar by stacking the bottles when necessary. (See instructions for removing shelves, above.)
 - Keep small gaps between the walls and the bottles to allow air to circulate. As in an underground cellar, air circulation is important to prevent mold and for a more homogeneous temperature within the cellar.
 - To facilitate air circulation, do not overload your wine cellar.
 - Avoid obstructing the internal fans (located inside on the rear panel of the wine cellar).
 - To prevent bottles from falling, do not try to slide the shelves outward beyond the fixed position.
- Do not pull out more than one loaded shelf at a time as this may cause the wine cellar to tilt forward if not properly installed.

INSTALLATION

PART III INSTALLATION INSTRUCTIONS

INSTALLING YOUR REFRIGERATOR

1. Move the unit into its final position .
2. If the unit is not tilting back, minor adjustments can be made to the leveling legs.
3. Compare the alignment of the appliance to the surrounding cupboard. The top of the appliance should be level from side to side (see diagram below) .



4. If the unit now rocks from one corner to the opposite rear corner, this means that the floor is uneven. You may need to put some packing under the ridge to the rear of the appliance . You could use thin pieces of solid material such as thin board, vinyl floor tiles or laminate .
5. You may now need to fine tune the installation by repeating steps 2, 3 and 4 .
6. Wipe off any dust that has accumulated during shipping and clean following the directions in Part VI (Care & Maintenance)
7. Plug the appliance into the power point. Don't use a double adaptor or extension cord .
8. It is recommended that you let the unit for rest an hour or two before you put any wine bottles in it . This will confirm that it is operating correctly and make the conditions appropriate for wine storage .

Congratulations! You have successfully installed your refrigerator.

DOOR LOCK

This unit comes with an optional key lock. The keys are located inside the plastic bag that contains the user manual. To lock the door, simply reverse the operation making sure the metal pin is engaged completely. Then remove the key and place it in a secure place for safekeeping. To unlock the door, insert the key into the lock and turn counterclockwise.

PART IV OPERATING YOUR REFRIGERATOR



There are two control panels, each operating a separate zone. Each zone can be set independently but the procedure is the same for both, as described below:

ON/OFF | MUTE: Press ON/OFF button over 3 seconds to turn the refrigerator power ON or OFF.

When the high or low temperature alarm is activated, the buzzer will sound continuously. Press once to turn off (mute) the alarm.

°C/°F SWITCH: Select temperature display format Fahrenheit or Celsius by pressing and holding both UP ▲ and DOWN ▼ buttons simultaneously for approximately 3 seconds.

CAUTION:

BEFORE YOU START: The refrigerator should be placed in a location where the ambient temperature is between 32 - 100 degree Fahrenheit. If the ambient temperature is above or below this range, the performance of the unit may be affected. For example, placing your unit in extreme cold or hot conditions may cause interior temperatures to fluctuate.

SETTING THE TEMPERATURE CONTROL

1. Make sure power cord is connected to a properly grounded outlet.
2. Turn Power ON.
3. Each zone is independently controlled. The temperature setting can be adjusted between 35°F to 68°F (2°C to 20°C)
4. Set the temperature of the LEFT Zone or RIGHT Zone as you desire by pushing the UP or DOWN button. When you push any of the two buttons for the first time, the LED readout will show the original temperature set at previous time.
5. Once you have set the desired temperature, wait 5 seconds. The temperature shown in the both LEFT and RIGHT zone display panels will automatically switch to show the actual temperature inside the unit. The actual temperature will always be shown until the next time you press the UP or DOWN button to change the temperature settings.
6. To view the "SET" temperature at any time, press either button UP or DOWN once and the "SET" temperature for that compartment will flash in the LED display for 5 seconds.

ECO mode: Press and hold the UP button for 3 seconds, it can enter or exit ECO mode. In this mode, the interior LED light, the compressor indicator ❄️ and the temperature value on the display panel will be turned off and the ° will illuminate on the upper left corner of °C / °F.

💡/🔒 LIGHT/LOCK:

- **LED light brightness mode:** with Memory IC (automatically restore the last setting when power off and restart), the default brightness is 100%.
- LED brightness cycles through four positions (100%, 75%, 50%, OFF) with each button press.
- Press and hold for 3 seconds to lock or unlock the control panel.
- **LOCK:** If illuminated, indicates the control panel is locked.

❄️ **RUN:** Indicator light illuminates to signify the cooling mode is currently in operation.

Demo mode:

Press and hold buttons ▲ ▼ and 💡/🔒 simultaneously for 10 seconds, it can enter or exit demo mode.

In this mode, the display panel can operate settings, but the temperature is fixed display 12°C (54°F), all fans, the compressor does not start.

Defrosting:

The unit defrosts automatically in normal operating conditions.

The evaporator behind the rear wall of the unit defrosts automatically. Water will drain through the drain pipe from the back of the product. Users need to bring the water to the drain or find an appliance to load the water. (If loading with an appliance, you need to pay attention to clearing the water regularly).

However, frost may accumulate on the evaporator if the unit is repeatedly opened in a high heat or high humidity location. If this frost pattern does not clear within 24 hours, your unit will require manual defrosting.

Mandatory Defrost Mode: Press the LIGHT/LOCK and ON/OFF simultaneously for 10 seconds, enter the compulsory defrost mode.

OPERATION

PART IV OPERATING YOUR REFRIGERATOR

Sabbath Mode

Press and hold UP and ON/OFF buttons at the same time for at least 5 seconds to enter or exit Sabbath mode. In this mode, LED will display "Sb". This mode turns off the displays, interior light and prevents them from turning on again. Normal cooling operations will still take place. The compressor and the fan work normally. When the cabinet power off, it will not automatically exit Sabbath mode, and it will keep Sabbath mode

when power on again. The Sabbath Mode will automatically turn off after 96 hours.

NOTE: The desired temperatures may fluctuate depending on whether the interior light is ON or OFF, the ambient temperature, the location of unit and the orientation of the bottles. The display is just a guide, be guided by how cold your drinks are at consumption. Remember units go into defrost mode and this will show a higher display, it's only for short periods and doesn't have time to effect drink temperature. In general, once unit has settled it will keep products within 5°F (2°C) difference of the set temp easily in temperatures up to and beyond 100°F (38°C) .

Temperature Alarm Function

If the ambient temperature $\geq 30^{\circ}\text{C}$ (86°F) for 2 hours, the high temperature alarm will be activated, the LED will display "HH", the buzzer will sound continuously, the cooling system continues to work. The display return to normal until the high temperature conditions is relieved.

If the ambient temperature is $< 0^{\circ}\text{C}$ (32°F) for 1 hour, the low temperature alarm will be activated, the LED will display "LL", the buzzer will sound continuously, the cooling system will stop working. The display return to normal until the low temperature is relieved.

NOTE:

- It is normal that the cabinet shows "HH" or "LL" from time to time. If it occurs frequently or lasts for a long time, you can restart the unit by unplugging it, then re-plugging after 5 minutes. If the problem occurs again after restarting, please contact customer service.
- Before reconnecting the power, wait 3 to 5 minutes. Otherwise you could damage your appliance. If you attempt to start the appliance before the end of this time delay, the appliance will not turn on.
- If you turn on the appliance for the first time or after a restart, or after it has been out of operation for a long time, there may be a temperature difference between the temperature inside the appliance and that on the LED display. This is a normal event caused by the duration of the activation period. Leave the appliance turned on for several hours and the temperatures will stabilize during operation.

TEMPERATURE SETTINGS FOR WINE SERVICE

Different varieties of wine require different temperature settings. The recommended temperature ranges for serving different varieties of wine are listed below. Your refrigerator will indicate when you have set the LEFT/RIGHT zones to the below temperature ranges.

- Red Wines: 52~64°F (11~18°C)
- White Wines: 44~51°F (7~11°C)
- Sparkle Wines: 41~43°F (5~6°C)

CAUTION

1. This device is equipped with a memory IC. In the event of a power interruption, all previous temperature settings will be automatically saved and each compartment will return to the previous temperature setting.
2. If the unit is unplugged, loses power, or is turned off, there will be a 6 minute delay for the compressor to restart after the unit is powered ON.
3. When you use the refrigerator. for the first time or restart the refrigerator after having been shut off for a long time, there will be a few degrees variance between the temperature you select and the one indicated on the LED readout for the first few hours of operation. After a few hours of operation, the temperature will normalize to the displayed temperature.

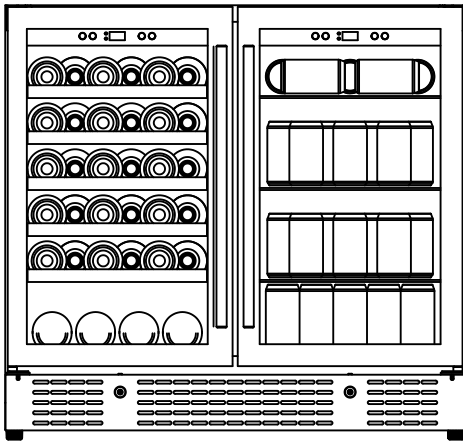
PART V LAYOUT AND STORAGE

YOUR CABINET WAS DESIGNED TO STORE A MAXIMUM NUMBER OF BOTTLES SECURELY. WE RECOMMEND THAT YOU OBSERVE THE TIPS BELOW TO OPTIMIZE LOADING.

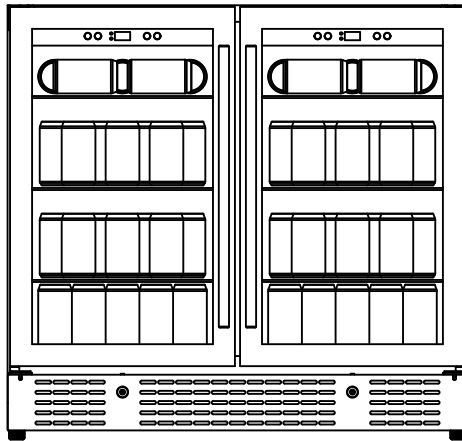
1. Disperse your bottles even so as not to concentrate weight in any one area. Also, be careful that your bottles do not touch either the back of the cabinet or the step at the bottom.
2. Also make sure that bottles are not all grouped together either at the top or bottom of the cabinet.
3. A cooler that is full and has nice allowance for air movement will work more efficiently.
4. Never try to adjust shelf with bottles still on it.

TO REMOVE A ROLLING SHELF:

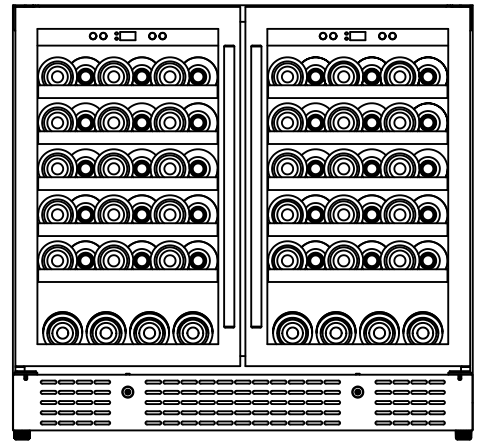
1. Remove all bottles
2. Pull the shelf out as far as possible
3. Never try to pull out more than one rolling shelf at a time.
4. Remove the shelf



KB190BW



KB190B2



KB190W2



PLEASE NOTE

Before modifying your cabinet's original configuration in any way, be sure to ask your dealer for advice.

MAINTENANCE

PART VI CARE AND MAINTENANCE

CLEANING YOUR REFRIGERATOR



BEFORE CLEANING: Turn off the power, unplug the appliance, and remove all items including all shelves.

- Wash the inside surfaces with warm water and baking soda solution. The solution should be about 2 tablespoons of baking soda with a quart of water.
- Wash the shelves with a mild detergent solution.
- Wring excess water out of the sponge or cloth when cleaning area of the controls, or any electrical parts.
- Wash the outside cabinet with warm water and mild liquid detergent. Rinse well and wipe dry with a clean soft cloth.
- After installation, **we recommend that owners apply a thin layer of Olive Oil with a clean rag, to all exposed Stainless Steel areas.** This should then be polished in and buffed off with another clean rag to a non-oily finish. This process will aid protection against dirt and other corrosive contaminants, by providing a temporary food-safe shield. The Olive Oil layer also makes later polishing and removal of fingerprints easier. This process should be repeated frequently every 3-4 months. ALL stainless steel can rust, it is a myth that stainless steel doesn't rust.

POWER FAILURE

Most power failures are corrected within a few hours and should not affect the temperature of your appliance if you minimize the number of times the door is opened. If the power is going to be off for a longer period of time, you need to take the proper steps to protect your contents.

VACATION TIME

Short vacations: You may leave the refrigerator operating during vacations of less than three weeks.

Long vacations: If the appliance will not be used for several months, remove all items and turn off the appliance. Clean and dry the interior thoroughly. To prevent mold growth, leave the door open slightly, blocking it open if necessary.

MOVING YOUR Refrigerator

1. Remove all items.
2. Securely tape down all loose items (shelves) inside your appliance.
3. Turn the adjustable leg up to the base to avoid damage.
4. Tape the door shut.
5. Be sure the appliance stays secure in the upright position during transportation. Also protect the outside of the appliance with a blanket or similar item.

ENERGY SAVING TIPS

1. The refrigerator should be located in the coolest area of the room, away from heat producing appliances, and away from direct sunlight. Ventilation at rear also helps a lot with energy usage, so create a positive air flow where possible, although with this range they are designed to be fully built in.
2. When you are not using fridge during weekdays etc. it is recommended to set the temp at a higher level, so set at 64°F (18°C) during periods of non usage, this will not only mean less run time, it also still keeps drinks at a temp that won't be spoiled. It saves energy also which these days is a growing concern for most households.
3. Keep the cooler stocked, an empty cooler will run longer, believe it or not.

TROUBLESHOOTING GUIDE

PART VII TROUBLESHOOTING GUIDE

PROBLEM	POSSIBLE CAUSE	Solution
Refrigerator does not operate	1. Not plugged in 2. The appliance is turned OFF at the control panel 3. The circuit breaker has tripped or a fuse has blown out	Press ON/OFF Check and make sure the power plug is well connected Ask an engineer for help
Refrigerator is not cold enough; can not cool down to the preset temp.	Compressor does not start	ask an engineer for help / check the connection of the compressor
	Compressor self-protected and has stopped operating	The ambient temperature is too high (over 100°F degree) The air venting is not smooth, check that the air duct is not blocked Fan operates slowly or is faulty and has stopped operating. The door is not closed completely, or the door opened too long The compressor, or its components are faulty
	Fans stop working or operate at low speed	Ask an engineer for help. Power the refrigerator ON and OFF. Check the fan and whether the voltage is normal. If the voltage is normal, then the fan should be damaged
	Evaporator ices up	Turn OFF the refrigerator for one hour and open the door. The ice on the evaporator will melt. Check the door seal for any air gaps.
	Door is not closed properly	Check the door lock, shelves, or other objects, make sure door is well closed. Check the rubber seal for any air gaps. Check the door hinges, make sure they are not loose
	Condenser is dusty	Wash and clean the condenser
	Cooling system faulty (Gas leakage or blockage)	Ask an engineer for help
Compressor starts and stops frequently	The door gasket does not seal properly.	Use low heat on a hair dryer to make the door seal take shape.
	The sensor connection is wrong.	Read the wiring diagram to make the correct connection of sensor
	The sensor is faulty.	Replace with a new sensor
	The door is opened too often.	Reduce the times / frequency of door openings.
The light does not work.	Not plugged in, or the light button is "OFF". Light itself faulty.	Check and make sure the light button is ON, or ask an engineer for help.
The Refrigerator seems to make too much noise.	The stand feet is not leveling, vibrations lead to noise	Adjust the stand feet and ensure they are level.
	Copper pipe hits other objects and makes noise	Gently adjust the position of the pipe.
	When the compressor shuts down or starts, it is normal for noise from the vibrations generated by the internal moving parts due to inertia. A liquid plumbing noise may come from the flow of the refrigerators gases, which is normal. As each cycle ends, you may hear gurgling sounds	Take no action Take no action
The door will not close properly.	Door is blocked by the door lock, shelves, or other objects.	Remove the barrier
	Door sealing rubber is deformed	Repair or replace the rubber seal
	Door hinges are not loose.	Adjust and fasten the hinges.
Ice up	Outlet / suction outlet blockage	Remove the barrier
	Fans stop working or operate at low speed.	Ask an engineer for help. Power the refrigerator ON and OFF. Check the fan and the voltage. If the voltage is normal, the fan may be damaged.
	The door gasket does not seal properly; or door is opened too often	Use low heat on a hair dryer to make the door seal take shape.
	Gas leakage or cooling system blockage	Ask an engineer for help
External cabinet seems too hot	Ambient temperature is too high, or direct sunshine	Operating conditions need to be improved
	Front grill outlet / suction outlet blockage	Remove the barrier
	Fans stop working or low speed operating	Ask engineer for help, power on the refrigerator, check the fan whether the voltage is normal or not. If the voltage is normal, the fan should be damage
Water drop on glass door	Ambient humidity is high	Use a soft cloth to clean the water
	Door is opened too often	Reduce the times / frequency of door opening.
	The door gasket does not seal properly	Use low heat on a hair dryer to make the door seal take shape.
E1/E2/E7/E8 on display	The air temperature sensor failed.	Call for service.

TECHNICAL DATA

PART X TECHNICAL DATA

	KB190BW	KB190B2	KB190W2
General Info:			
Capacity	6.71 CF (190 Liter)	6.71 CF (190 Liter)	6.71 CF (190 Liter)
Bottles to Store	34 wine bottles + 98 cans	196 cans	68 bottles
Installation Type	Built-in & Free-standing	Built-in & Free-standing	Built-in & Free-standing
Shelves	5pcs of wooden shelves and 3pcs glass shelves	6pcs of glass shelves	10pcs of wooden shelves
Temperature zone	Dual Zone	Dual Zone	Dual Zone
Temperature Range	Left side: 35-68 Fahrenheit (2-20°C), Right side: 35-68 Fahrenheit (2-20°C)	Left side: 35-68 Fahrenheit (2-20°C), Right side: 35-68 Fahrenheit (2-20°C)	Left side: 35-68 Fahrenheit (2-20°C), Right side: 35-68 Fahrenheit (2-20°C)
Climate Type	ST;N;SN	ST;N;SN	ST;N;SN
Noise Level (dB)	<42 dB	<42 dB	<42 dB
Features:			
Cooling System	Compressor	Compressor	Compressor
Control	Digital Thermostatic Control	Digital Thermostatic Control	Digital Thermostatic Control
Circulating Fans	Yes	Yes	Yes
LED Light	Blue LED	Blue LED	Blue LED
Door Type	Two-layer glass door with one Low-E	Two-layer glass door with one Low-E	Two-layer glass door with one Low-E
Security Lock	Yes	Yes	Yes
Electrical:			
Nominal voltage/Frequency/ Rated Current	USA: 110-115V/60HZ, 1.25A AU: 220-240V/50HZ (AU), 0.6A	USA: 110-115V/60HZ, 1.25A AU: 220-240V/50HZ (AU), 0.6A	USA: 110-115V/60HZ, 1.25A AU: 220-240V/50HZ (AU), 0.6A
Rated Power Input	120Watts	120Watts	120Watts
Refrigerant	R600A / 35g	R600A / 35g	R600A / 35g
Energy Consumption	595 kWh/Year (ISO23953-2)	595 kWh/Year (ISO23953-2)	595 kWh/Year (ISO23953-2)
Dimensions:			
Unit Size	35.5"Wx23.4"Dx33.5"H (900W*595D*850H mm) * Depth is 25.2" (641mm) if including the handle	35.5"Wx23.4"Dx33.5"H (900W*595D*850H mm) * Depth is 25.2" (641mm) if including the handle	35.5"Wx23.4"Dx33.5"H (900W*595D*850H mm) * Depth is 25.2" (641mm) if including the handle
Net Weight	152 lbs (69 kg)	152 lbs (69 kg)	152 lbs (69 kg)

PART IX WARRANTY INFORMATION

Please speak to your retailer before calling us if you did not purchase your refrigerator directly from KingsBottle.

WHO IS COVERED: This warranty is extended only to the original end-user purchaser or the person receiving the product as a gift, and shall not be extended to any other person or transferee.

LIMITED WARRANTY – If your refrigerator is not operating properly, KingsBottle reserves the right to repair or replace the refrigerator. KingsBottle may request the consumer to contact a local refrigeration company to service the refrigerator. All cost for labor and materials is covered for 2-year from the date of receipt. If KingsBottle deems the unit not repairable, KingsBottle will use the value of your original order toward a replacement (Any replacement unit will follow the warranty terms of the initial purchase). For customer service, please e-mail us via hello@kingsbottle.com.

THE LIMITED WARRANTY DOES NOT COVER: Damage due to such things as an accident, misuse, abuse, mishandling, neglect, unauthorized repair or any other cause beyond the control of the seller whether similar or dissimilar to the foregoing. Purchaser understands and acknowledges that the goods sold here are WINE & BEVERAGE COOLERS, which house beer and other wines. Purchaser assumes all the risk of using these units, including the risk of spoilage, humidity variations, temperature variations, leaks, fires, water damage, mold, mildew, dryness and similar perils that may occur.

SPECIAL NOTE: Warranty is only honored for the unit which is used in the countries where the unit was initially purchased. And, if your product was purchased at any 3rd party retailer and not directly from KingsBottle, we do not offer an extended warranty policy. You MUST contact the retailer of purchase directly. In the event your retailer does not offer an extended warranty plan, we recommend you contact a third party warranty provider. However, regardless of point of purchase, all KingsBottle coolers are backed by a TWO YEAR manufacturer's warranty from date of sale.