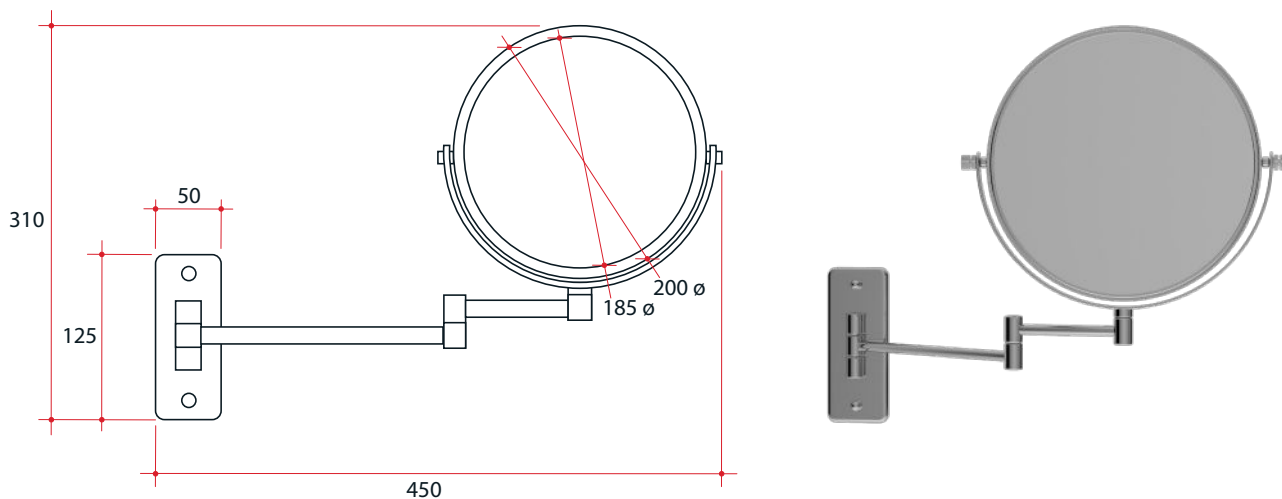


Ablaze Non-Lit Magnifying Mirror



Note: All dimensions are in millimetres (mm)
 Maximum distance from wall - 330mm
 Depth from wall when folded - 30mm
 Total width when folded - 250mm

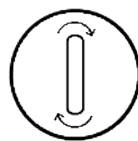
Stock Code	Mirror Size (mm)	Unit Size (mm)	Finish
R16SM	185ø	W450 x H310	Chrome Plated



1 & 5x magnification



One year warranty



Double sided



Simple to retrofit

PLEASE NOTE: Specifications are for information purposes only. Whilst every effort has been made to ensure the product specifications are accurate, due to continuing product development and improvement, the specifications are subject to change. Specifications can be used to rough in and for timber supports in the wall however, we recommend no holes are drilled without having the product on site or verifying the details with the manufacturer. Thermogroup cannot be held liable or responsible for errors due to updated specifications.