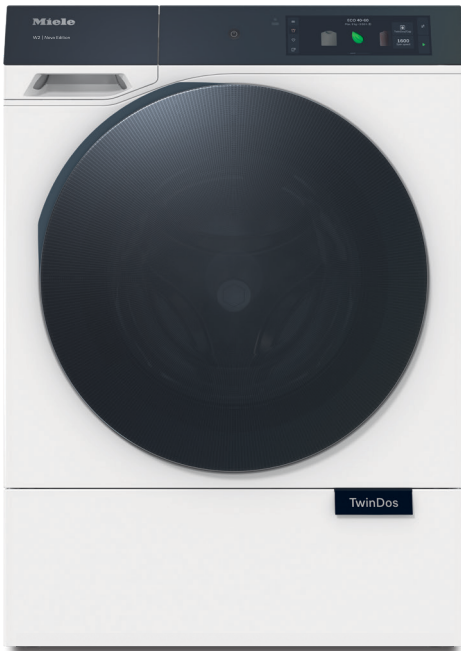


WQ 1000 WPS Nova Edition
W2 front loader washing machine
9 kg | 1600 rpm | InfinityCare | Automatic dispensing | SmartMatic



- Tested for 20 years of perfect laundry care*
- Wash more gently than ever before with the InfinityCare honeycomb drum
- Save up to 40% detergent with TwinDos® thanks to automatic dispensing**
- Our SmartMatic® automatic programme adjusts consumption automatically
- The large colour M Touch Pro display makes operation highly convenient

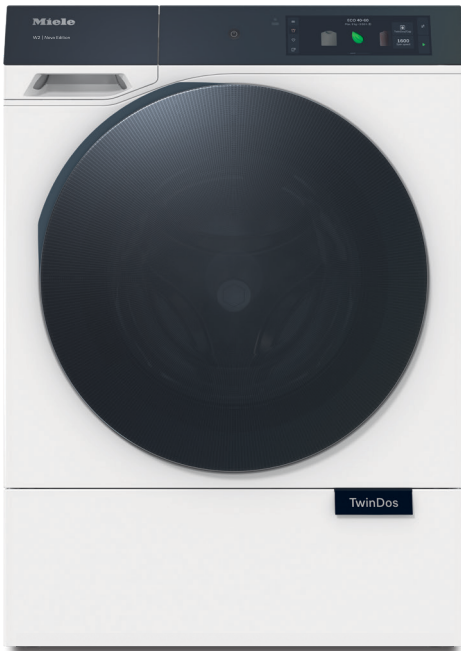
* During the development phase of the W1/W2 washing machine series, Miele tested models and core components in 5000 wash loads (= 5 wash loads per week for 50 weeks per year) in various programmes. More: miele.com/20years

** Compared to manual dispensing and based on internal test results.

EAN: 4002516865100 / Material number: 12695700 / Old Material Number: 11Q10002AUS

General information	
Model identifier	WQ 1000 WPS Nova Edition
Manufacturer material number	12695700
EAN number	4002516865100
Construction type	
Suitable for stacking	•
Door hinging	Right
Side-by-side	•
Built-in	•
Model	
Product brand	W2 Nova Edition
Front-loader	•
Spinning	
Max. spin speed	1600
Rinse hold	•
Without spin function	•
Design	
Appliance colour	Lotus white
Door and panel design	BlackEffect
Control panel version	Slanted
Control type	Touch control
Display	M Touch Pro
AmbientLight	•
MotionReact	•
Cleaning performance	
Innovative PowerWash technology	•
TwinDos automatic detergent dispensing	•
TwinDos automatic cartridge detection	•
CapDosing portioned dispensing	•
Stains option	•
AddProgrammes	•
Excellent hygiene	•
Gentle laundry care	
InfinityCare honeycomb drum	•
Load in kg	9
User convenience	
Networking with Miele@home	•
SteamCare steam system	•
Delay start up to 24 hours	•
Time left display	•
Time of day display	•
Programme sequence indicator	•
Information text	•
Favourite programmes	•
Drum lighting	LED
MultiLingua	•

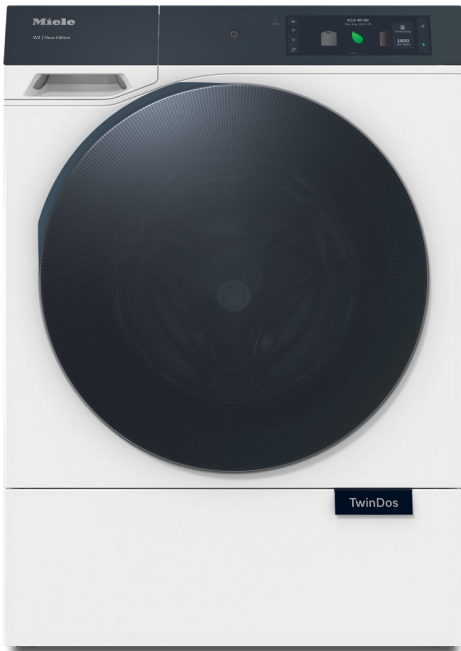
WQ 1000 WPS Nova Edition
 W2 front loader washing machine
 9 kg | 1600 rpm | InfinityCare | Automatic dispensing | SmartMatic



EAN: 4002516865100 / Material number: 12695700 / Old Material Number: 11Q10002AUS

AutoClean detergent drawer	•
AddLoad	•
ComfortOpen	•
Efficiency and sustainability	
FlexLoad Auto load control	•
Hot water connection	•
EcoFeedback	•
Low temperature wash "Cold" and "20°C"	•
Energy/WELS Star Rating	5.0 / 5.0
WELS Details	65 L / wash ECO 40-60
Registration Details Energy/WELS	ACW1549 / C02433
ProfiEco motor	•
Wash programmes	
QuickPowerWash	•
Cottons (coloureds)	•
Minimum iron	•
Delicates	•
Silks (hand-washable)	•
Woollens (hand-washable)	•
Express 20	•
Dark garments/Denim	•
Outerwear	•
Proofing	•
Sportswear	•
Trainers	•
Clean machine	•
Separate rinse	•
ECO 40-60	•
Shirts/Blouses	•
Down-filled items/Duvets	•
Curtains	•
First wash	•
SmartMatic®	•
Pre-ironing only	•
Clean drum	•
Bed linen	•
Washing extras	
SingleWash	•
Short	•
Soak	•
Pre-wash	•
Water plus	•
Additional rinse cycle	•
Extra quiet	•
Pre-ironing with steam	•
Buzzer	•
Hygiene plus	•
Save energy	•

WQ 1000 WPS Nova Edition
 W2 front loader washing machine
 9 kg | 1600 rpm | InfinityCare | Automatic dispensing | SmartMatic

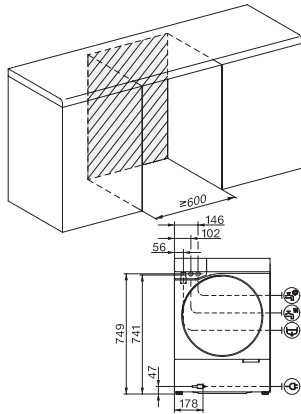


EAN: 4002516865100 / Material number: 12695700 / Old Material Number: 11Q10002AUS

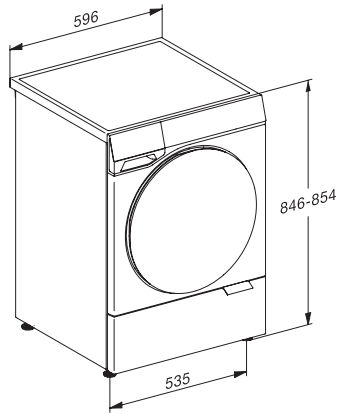
Safety	
Water protection system	Waterproof-System
Safety lock	•
PIN code	•
Technical data	
Dimensions (H x W x D) in mm	850 x 596 x 620
Dimensions in mm (width)	596
Dimensions in mm (height)	850
Dimensions in mm (depth)	620
Appliance depth in mm with opened door	1087
Appliance depth w/o door in mm	600
Weight in kg	91
Voltage in V	230
Fuse rating in A	10
Frequency in Hz	50
Total rated load in kW	2.30
Length of water inlet hose in m	1.60
Length of water drain hose in m	1.50
Length of supply lead in m	2
Accessories supplied	
3 caps	•
UltraPhase 1 + 2	•
Voucher for 5 Miele UltraPhase cartridges	•
Available display languages	
Available display languages via MultiLingua	Bahasa Malaysia, Dansk, Deutsch, Eesti, English, English (AU), English (CA), English (GB), English (US), Español, Français, Français (CA), Français (FR), Hrvatski, Italiano, Latviesu, Lietuviu, Magyar, Nederlands, Norsk, Polski, Português, Русский, Română, Slovenčina, Slovenščina, Srpski, Suomi, Svenska, Türkçe, Українська, Čeština, Σλληνικά.

WQ 1000 WPS Nova Edition
W2 front loader washing machine
9 kg | 1600 rpm | InfinityCare | Automatic dispensing | SmartMatic

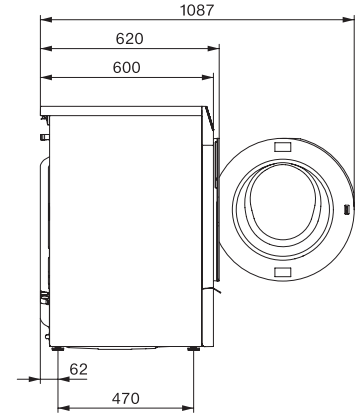
Installation diagrams



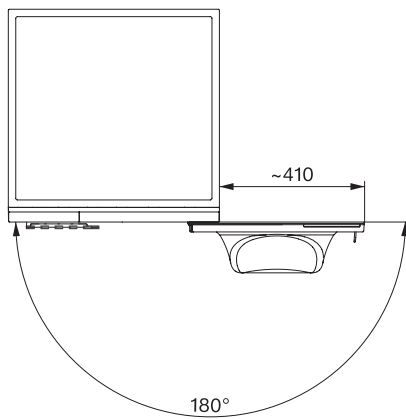
W2 drawing, fascia 17 degree,
measures in mm



W2 drawing, fascia 17 degree,
measures in mm



W2 drawing, fascia 17 degree,
measures in mm



W2 drawing, fascia 17 degree,
measures in mm