

60cm 3 burner black ceramic glass gas cooktop with a high powered, intense 19 MJ/h wok burner, dual valve flame control and cast iron trivets.



Product Details

FEATURES

High powered, intense 19 MJ/h wok burner

Dual Valve Control

Durable ceramic glass cooktop

Cast iron trivets

Flame Failure Device

Easy under knob ignition

Easy clean ceramic surface

LP Gas Conversion kit included
LP Gas Conversion kit included. Must be installed by a licenced tradesperson.

BENEFITS

A hotter wok helps bring out the flavour
Use high heat to lock in the flavour of your dishes. With durable brass caps and 19 MJ/h you can bring your wok to high heat with even flame distribution. Spice up your cooking and spice up your life.

Boil to simmer in an instant
For precision control cooking all your favourite recipes, our smart Dual Valve flame control lets you go from boil to simmer in an instant.

Cook with confidence
Enjoy peace of mind with our ceramic glass gas cooktops. Ceramic glass is designed to withstand the rigors of daily cooking and deliver lasting performance, ensuring it is tough enough to handle even the busiest kitchens.

Family safety first
Our cast iron trivets flat design ensure the base of your pots and pans are fully supported, allowing you to have a safer and more stable cooking environment.

Easy to Clean
Spend more time cooking and less time cleaning. Our flat surface gives foods and spills nowhere to hide, making cleaning a breeze.

Flame out. Gas off.
In the kitchen, it should always be safety first. If the cooktop flame unexpectedly goes out, our Flame Failure Device will automatically shut down the gas supply so you and your family can breathe easy.

Specifications

PRODUCT PROFILE

Domestic warranty details (yrs)	2
Cooktop type	gas
Materials/Colour	black ceramic glass
Knob Finish	Metalised dark finish

CONTROLS

Controls of Cooktops	knob
Position of controls	front
Features of Cooktop	High powered, intense wok burner, Cast iron trivets, Dual Valve Flame Control, wok holder, flame failure

ELEMENTS/BURNERS

LEFT FRONT ZONE

DIMENSIONS

Total product height (mm)	62
Total product width (mm)	595
Total product depth (mm)	530
Cut out width (mm)	560
Cut out depth (mm)	490

FEATURES

Trivets	cast iron
Ignition type	electronic under knob ignition

RIGHT FRONT ZONE

Right front zone	simmer
------------------	--------

Left front zone	dual valve wok
-----------------	----------------

RIGHT REAR ZONE

Right rear zone	rapid
-----------------	-------

GAS SPECIFICATIONS

Total burner output(NG)	36.2
-------------------------	------

Position of gas connection	rear left
----------------------------	-----------

STUFFING QUANTITIES

20ft	351
------	-----

40ft HC	855
---------	-----

ELECTRICAL SPECIFICATIONS

Connected load KW	0.05
-------------------	------

Type of connection	10A plug & lead
--------------------	-----------------

SHIPPING

Shipping Volume (m3)	0.068
----------------------	-------

Shipping Weight (Kg)	16.9
----------------------	------

Pack Dimensions Height (mm)	166
-----------------------------	-----

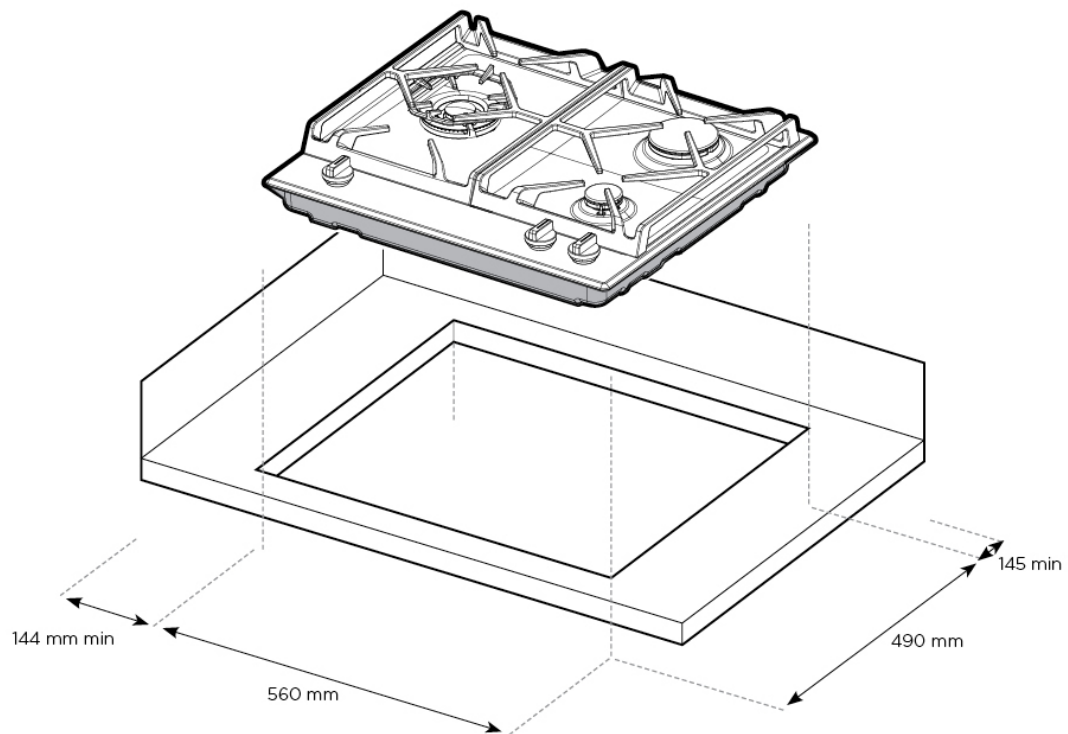
Pack Dimension Width (mm)	685
---------------------------	-----

Pack Dimension Depth (mm)	595
---------------------------	-----

Dimensions

60cm gas cooktop

WHG638BC



NOTE: Distances shown to adjacent walls/surfaces are for the distance to a combustible surface. If the surface is not combustible the measurement can be smaller than that shown.

IMPORTANT

These dimensions are a guide only. All measurements are in millimetres (mm). For complete installation instructions, refer to the manual provided with product.

Terms and Conditions

IMPORTANT

This is a guide of product dimensions only. For complete installation instructions, refer to the manual provided with product.

PRODUCT INFORMATION

The descriptors and illustrations in this publication apply to the specific products and models described as at the date of issue. Under our policy of continuous product development, product specifications may change without notice. Prospective purchasers should therefore check with their retailer to ensure this publication correctly describes the products that are being offered for sale. All information supplied is to be used for general reference purposes only and is on the understanding that Electrolux Home Products Pty Ltd (Australia) and Electrolux (NZ) Ltd (New Zealand) will not be liable for any loss, liability or damage of whatever kind arising as a result of reliance on such information. Colours of products illustrated are as close as printing limitations allow. Electrolux will at all times comply with its obligations pursuant to law including Trade Practices (Australian Consumer Law) Act and Regulations.

WARRANTY

This warranty only applies to Appliances purchased and used in Australia or New Zealand and used in normal domestic applications and is in addition to (and does not exclude, restrict, or modify in any way) any non-excludable statutory warranties in Australia or New Zealand. All warranties are subject to the conditions set out in the warranty card accompanying the product when purchased.

ELECTROLUX HOME PRODUCTS AUSTRALIA

telephone: 1300 363 640

fax: 1800 350 067

email: customercare@electrolux.com.au

web: www.electrolux.com.au

ELECTROLUX HOME PRODUCTS NEW ZEALAND

telephone: 09 573 2230

fax: 09 573 2221

email: customercare@electrolux.co.nz

web: www.electrolux.co.nz