

**Series 4, Wall-mounted canopy
rangehood, 90 cm, Matt black
DWB95CC60A**



DWZ1FB616 Long-life Clean Air recirculation kit

- **Black design:** elegant carbon black finish with reduced fingerprint visibility.
- **Three power levels:** flexible extraction to suit everyday cooking.
- **Metal grease filters:** easy to clean, dishwasher safe design for fresher kitchen air.
- **LED lighting:** energy-efficient, bright, even cooktop illumination.
- **Push button control:** for simple and convenient adjustment of your rangehood settings.

Typology:Wall-mounted
 Length electrical supply cord: 130 cm
 Height of product, without chimney: 60 mm
 Minimum distance above an electric cooktop: 600 mm
 Minimum distance above a gas cooktop: 650 mm
 Net weight: 16.7 kg
 Type of control: mechanical
 Number of power settings:3
 Max. air extraction: 594 m³/h
 Max. air recirculation: 569 m³/h
 Number of lights:2
 Noise level:67 dB(A) re 1pW
 Diameter of air outlet: 150 mm
 Grease filter material: Washable stainless steel
 EAN code:4242005530472
 Connection rating: 200 W
 Voltage:220-240 V
 Frequency: 50 Hz
 Plug type: AU plug
 Installation type: Wall-mounted



Series 4, Wall-mounted canopy rangehood, 90 cm, Matt black DWB95CC60A

Design:

- Canopy rangehood
- Wall-mounted
- Suitable for ducted or recirculated extraction

Features:

- Energy efficient capacitor motor
- 2 x LED 1.5W lights
- Colour Temperature: 3500 K
- Light Intensity: 265 lux
- 3 metal grease filter(s)

Comfort Features:

- Push button controls for power and light
- 3 power settings

Cleaning Comfort:

- Easy to clean smooth surfaces and materials
- Metal grease filter dishwasher-safe
- Coated surfaces to reduce fingerprints

Exhaust/Ducted Mode:

- According to EN 61591 and EN/ IEC 60704-2-13 your appliance can achieve the following values in exhaust mode:
- Speed 1: extraction rate 361 m³/h; noise level 57 dB(A) re1pW
- Speed 2: extraction rate 469 m³/h; noise level 63 dB(A) re1pW
- Speed 3: extraction rate 594 m³/h; noise level 67 dB (A) re1pW

Recirculation Mode:

- According to EN 61591 and EN/ IEC 60704-2-13 your appliance can achieve the following values in recirculation mode with Long-life Clean Air recirculation kit (available as optional accessory):
- Speed 1: extraction rate 360 m³/h; noise level 60 dB(A) re1pW
- Speed 2: extraction rate 477 m³/h; noise level 67 dB(A) re1pW
- Speed 3: extraction rate 569 m³/h; noise level 71 dB (A) re1pW
- For recirculation operation Long-life Clean Air recirculation kit (accessory) needed
- The Long-life Clean Air odour filter absorbs intense odours, such as fish, as well as pollen. The lifetime can be extended up to 4 times by refreshing the filter in the oven

Technical Information:

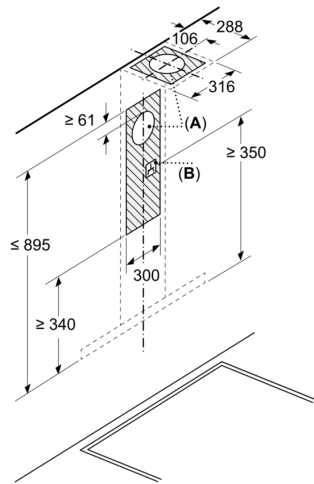
- Consumption data:
- Power rating: 200 W
- Voltage: 220 - 240 V
- Sustainability:
- Made in Germany: produced at a CO₂ neutral production site
- Expanded plastic free packaging

Planning and Installation Information:

- Reduced assembly effort thanks to the easy installation method
- Dimensions exhaust air (HxWxD): 635-895 x 898 x 500 mm
- Dimensions recirculating (HxWxD): 803-943 x 898 x 500 mm
- Diameter pipe Ø 150 mm
- Electrical cable length 1.3 m

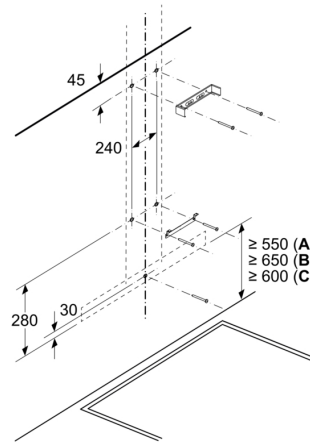
**Series 4, Wall-mounted canopy
rangehood, 90 cm, Matt black
DWB95CC60A**

Measurements in mm



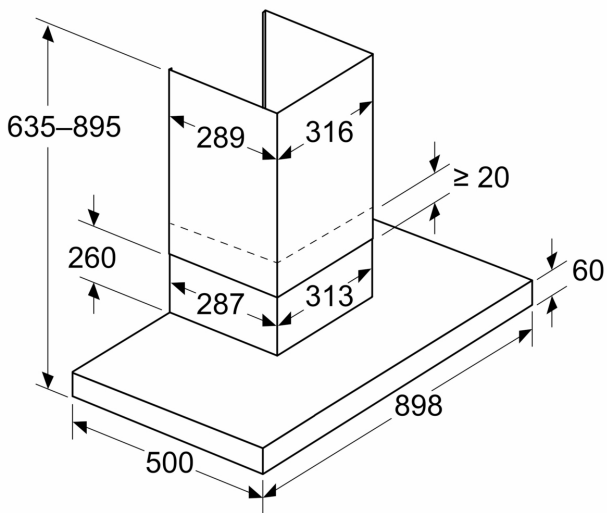
- A: Exhaust air
- B: Electrical connection

Measurements in mm
Wall installation with chimney

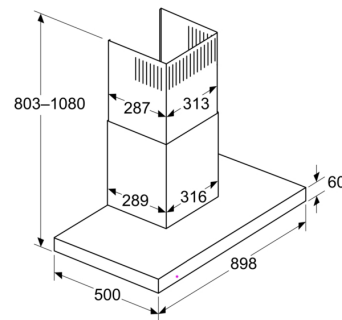


- A: Electric
- B: Gas - from upper edge of pan support
- C: Electric - for Australia and New Zealand

Measurements in mm
Appliance in exhaust air mode



Measurements in mm
Recirculation perspective



Recirculation mode with recirculation kit (the recirculation kit is only available as a separate accessory)

Measurements in mm
Wall panel depth

