

---

# UWgb 3631

---

Fully integrated under counter wine  
fridge  
Vinidor

## LIEBHERR

Fully Integrated



 German  
Engineering



Fully Integrated

**LIEBHERR**

# UWgb 3631

Fully integrated under counter wine fridge  
Vinidor



↑  
82-88  
↓



Type	Fixed door / Under-worktop appliance
Max. No. of Bordeaux bottles 0.75 Ltr	44 <sup>1</sup>
Total volume	111 l <sup>2</sup>
Energy consump. in 365 days/24 h	88
Frequency / voltage	50/60 Hz / 220-240 V-
Connection Rating	1.5 A
Door	Insulated glass door
Aperture dimensions in cm (h / w / d)	82-88 / 60 / min. 56.5
<b>Controls</b>	
Type of Control	LC monochrome display, touch electronic Digital temperature display
Alarm in case of malfunction	visual and acoustic
Door alarm	visual and acoustic
Child proof function	yes
<b>Features</b>	
Temperature zones	1
Temperature range	+5 °C to +20 °C
Adjustable cooling circuits	1
Forced air system	Convection cooling, fresh air supply via FreshAir activated charcoal filter
Interior light	LED zone lighting permanently on, dimmable
Handle	Recessed handle
Shelf material	Beech wood fittings
Storage shelves	4
Pull-out shelves on telescopic rails	3
Door hinges	Reversible door hinging, right
EAN-Nr.	9005382260272

<sup>1</sup> These models are only bound for storing wine. Maximum DIN norm bordeaux bottles capacity (0.75 l) as per norm NF H 35-124 (H: 300.5 mm, Ø 76.1 mm)

## Features

---



### TempProtect Plus

Double protection. With TempProtect Plus, our wine tempering fridges constantly measure the temperature with two sensors. This gives you double the assurance that your wines are protected from temperature fluctuations. This is because you are alerted as soon as one of the sensors detects a critical change in temperature, allowing you to take action quickly.



### HumiditySelect

Don't let your corks crumble. With HumiditySelect, you can set the humidity on the display of the Vinidor models in two levels: "Standard humidity" and "High humidity". It's so simple, and so good for your wine, because the optimum humidity ensures that the corks stay moist and keep your bottles tightly sealed.



### UVProtect

Double protection. The wine tempering fridges with glass door offer unprecedented protection from UV radiation: two protective layers consisting of tinted glass and a layer of vacuum-deposited metal. Known as Low-E coating, it provides highly efficient protection for your wine against harmful solar radiation.



### VibrateSafe

Your wine needs peace and quiet. That's why our wine tempering fridges guarantee gentle safekeeping with particularly quiet compressors specially developed by Liebherr and stable wooden shelves made of solid beech wood. This allows your wine to mature quietly and undisturbed.



### FlexFit wooden shelves

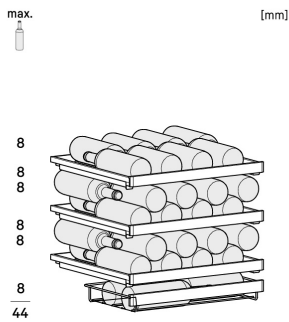
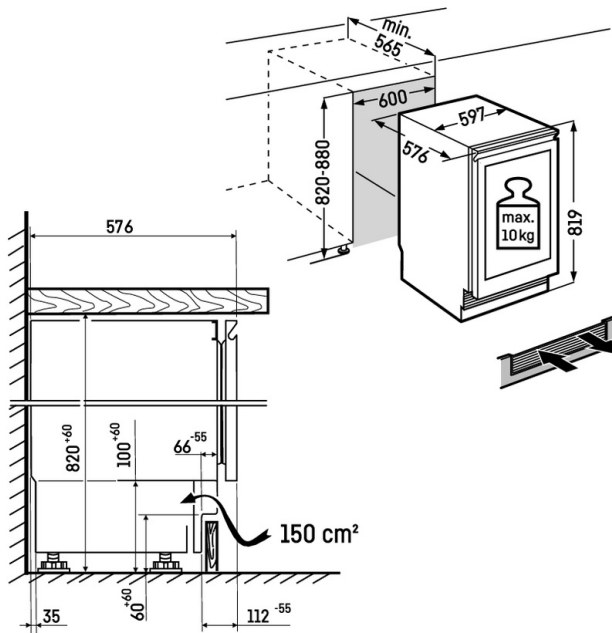
Custom shelves made easy: the adjustable wooden trims of FlexFit storing boards allow you to create a perfect fit for every bottle – even the Magnum sized one. As a result, your wine collection will look tidier than ever, and you don't even have to worry about the occasional red wine spill anymore because stained trims can simply be replaced.



### Touch display

Operating your wine tempering fridge is smoother than a summer wine. The high-quality design of the LC touch display allows all the functions to be selected with ease. The menu items are clearly arranged, and a gentle tap of the finger is all it takes to select them. If you just want to check the current temperature, that's even easier, because it's permanently shown on the display.

# Technical drawing



Products and their details are staged for advertising purposes. Whilst every effort is made to ensure all specifications and information in this flyer are accurate, Liebherr reserves the right to make changes without notification. Where actual appliance measurements, specifications, and ratings are crucial, we recommend that the actual appliance installation instructions that accompany each appliance be checked. (12.11.2025)

