

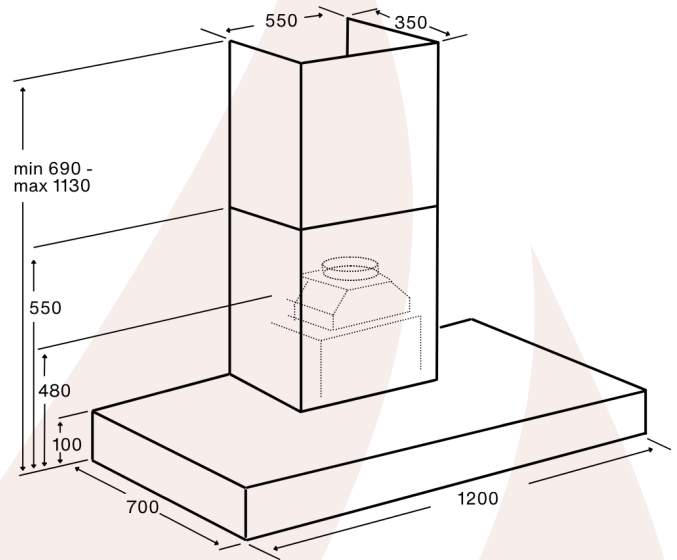
# 1200mm BBQ CANOPY RANGEHOOD IN BLACK

## SMARH120B

**SMART**  
OUTDOOR  LIVING



### Line Drawing



### Technical Information

EAN	9351116006969
Warranty	3 years
Country of Origin	Italy
Recommended Install Height	min 1200 - max 1600mm above cooking surface
Finish	Black 316G marine stainless steel
Speed Settings	4
Filter Type	2 x 25mm baffle filters
Noise Level*	45dBA to 70dBA
Lighting	4 x 6W LEDs
Auto Shut Off	after 4 hours
Electrical Requirement	10AMP
Max Current W	564W
Motor Type	Twin Onboard green motors
Motor Extraction#	2000m <sup>3</sup> /h
Ducting Size	200mm diameter
Product Dimensions mm	W1200 x D700 x H690-1130
Nett Weight	51kg
Carton Dimensions mm	W1250 x D770 x H570
Gross Weight	55kg

### Features



#### Powerful Air Extraction

With its European made motor, this rangehood has impressive airflow to quickly and effectively remove smoke, steam, heat, odours, and other airborne particles. Conveniently controlled with 4 speed settings.



#### Marine Grade Stainless Steel

Marine 316 grade stainless steel is designed specifically for outdoor use as it resists corrosion. Particularly important for those who live within five kilometres of the coast where levels of salt in the air can damage and reduce the lifespan of your rangehood.



#### LED Lighting

LED lights are eco-friendly and energy efficient. Their durability makes them resilient to heat, and they emit a nice, bright light, making them a perfect option for your hoods lighting.



#### Baffle Filters

Interlocking C-shaped baffles capture grease and smoke. Highly regarded for their advanced design and durability, they have a lifetime warranty. The baffles also offer flame barrier protection, keeping your ductwork safe.



#### Auto Shut Off

This rangehood comes with an automatic shut-off when the hoods been on for more than 4 hours. Not only does this help in removing all contaminants after cooking, but automatically shuts off so you don't have to remember.

#Extraction rate is an approximate figure and may vary depending on installation.

\*Please note noise level is an approximate range and subject to installation and surrounding materials.

WARNING: Technical specifications and product sizes can be varied by the manufacturer without notice. Cut outs for appliances should only be physical product measurements. The above information is indicative only.

For more information, visit our website.