




Model Code: EUA125

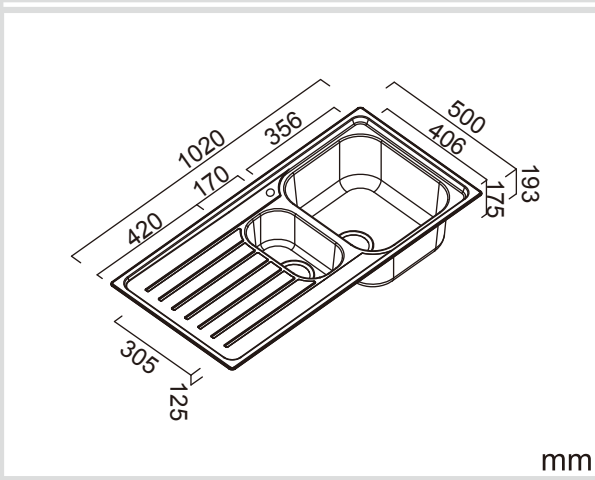
Included Accessories

		
Icp	6020	Seal Strip

Optional Accessories

		
CBB371	DR006	

Dimensions



Specifications

Description	Double bowl with one Drainer, inset sink
Overall Sink Size	1020mm x 500mm x 193mm deep
Bowl Dimensions	170mm x 305mm x 125mm deep 356mm x 406mm x 175mm deep
Drainer Length	420mm
Technic	Pressed
Material	Stainless steel SUS304

Installation

Fixings	Inset clips supplied
Template	Supplied
Min Cabinet Size	561mm
Waste Holes	1 x 90mm round Compatible with waste disposal

Plumbing

Waste Fittings	1 x (90mm x 2") basket waste included
Overflow	Available, conditions apply

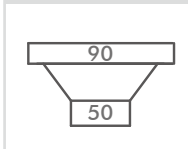
Packaging

Carton Type	EPS protection & individual sleeve
Gross Weight	5Kg
Sleeve Size	1060mm x 540mm x 210mm
Pack QTY	1

SURFACE FINISH



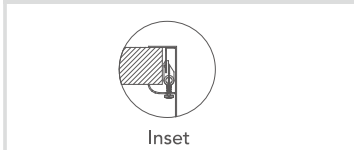
WASTE KIT



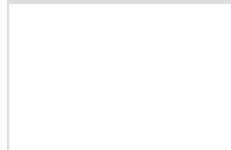
MATERIAL



INSTALLATION OPTIONS



PROFILE



Abey are Australia's leaders in sinkware, designing and manufacturing to the world's highest quality specifications as well as sourcing and bringing you Europe's very best, leading edge designs – practical, affordable, inspirational, stylish, timeless or cutting edge. When you buy an Abey stainless steel sink you receive the highest quality and 25 year warranty. Abey and the manufacturer are continually seeking ways to improve the design specifications, aesthetic and production techniques of the products. As a result, alterations to the specifications and dimensions of the products and designs occur continually.