

# RANGEHOODS

## KBTAU700XE 70CM WALLMOUNT T SHAPE RANGEHOOD



	Extraction rate IEC 61591 [m³/h]	Noise level IEC 60704-2-13 [dB(A)]
Speed 1	256	48
Speed 2	347	55
Speed 3	463	63
Intensive speed	688	72

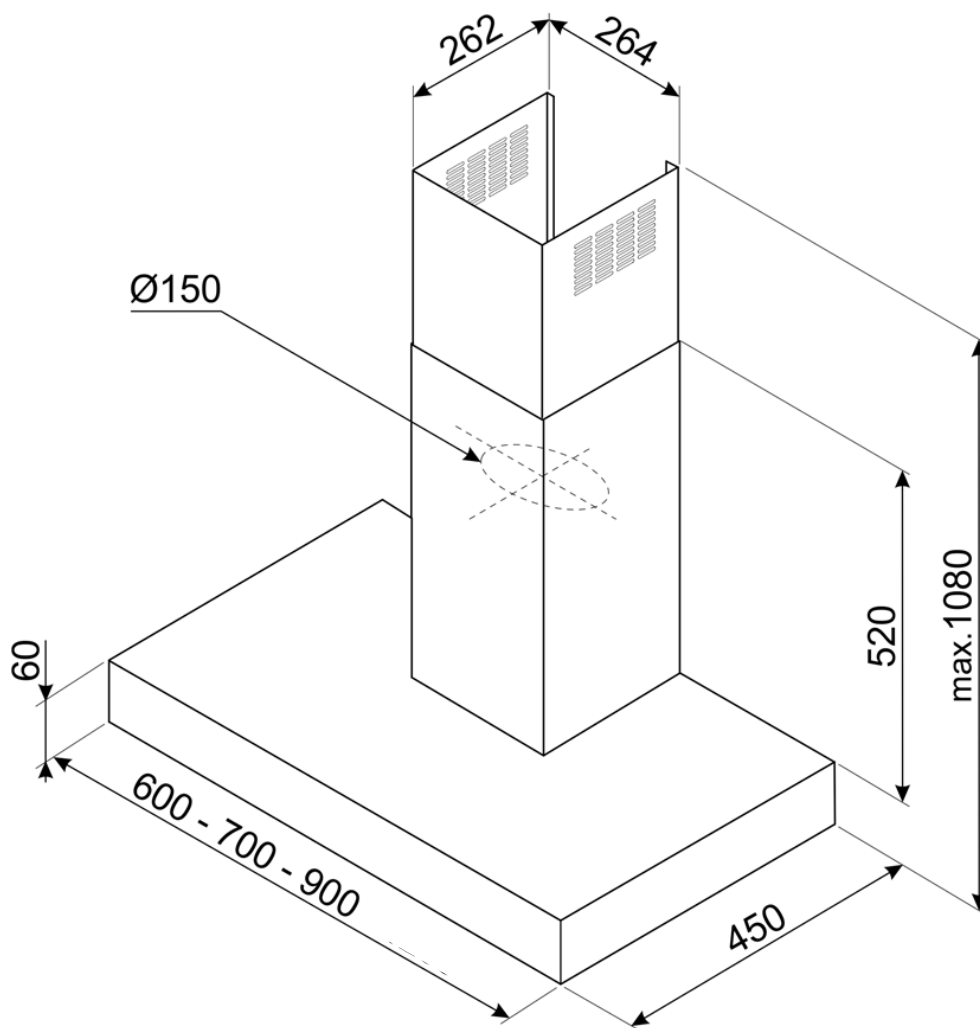
EAN 8017709287870

Finish	Stainless steel
Dimensions	700mmW x 580mmH (min.) x 450mmD
Installation	Wallmount
Motor	1 x 230W
Max Airflow	688m³/hr (IEC 61591)
Noise rating	48-72dBA (IEC 60704-2-13)
Illumination	2 x 1.3W LED
Speeds	Three + intensive
Supplied Accessories	2 x Aluminium grease filters
Optional Accessories	Charcoal filter part # KITFCBTR Flute extension # KITCEKBT
Ducting Options	Duct to atmosphere / recirculate — 150mm diameter ducting required
Power	220-240V 50/60Hz 230W
Warranty	Two years parts and labour



ID200818

**KBTAU700XE**  
70CM WALLMOUNT T SHAPE RANGEHOOD



PLEASE NOTE: drawings are not to scale. They are to assist only.  
WARNING: technical specifications and product sizes can be varied by the manufacturer without notice.  
Cutouts for appliances should only be by physical product measurements. The above information is indicative only.

ID200818