

60CM BUILT-IN ELECTRIC OVEN



MODEL AO676B



36 MONTH WARRANTY



60CM



78L OVEN CAPACITY



COOKING FUNCTIONS



SHELF POSITIONS



TRIPLE GLAZING



DIGITAL DISPLAY



KNOB CONTROL



HALOGEN GLOBE



10AMP POWER CONNECTION



PRODUCT INFORMATION

FINISH

- Black glass

FEATURES

- Touch control digital timer
- Knob control thermostat
- Removable inner glass door
- Detachable door
- Temperature range 50°C - 250°C
- Supplied with x 2 sets of knobs to suit all Artusi models

CAPACITY & INTERIOR

- 78L use-able space
- Oven cavity size : 48W x 43cm D x 38cm H
- 5 chrome rack positions
- Active Enamel
- Halogen cavity lamp

SAFETY

- Triple layer glass door

FUNCTIONS

- 5 Functions: light, convection, fan forced, fan grill, defrost
- Multi-function knob

ACCESSORIES

- 1 x Baking tray & grill rack
- Single layer telescopic rail



EAN 9347777002907

AR16092021

DISCLAIMER

Eurolinx PTY LTD, is continually seeking ways to improve the design specifications, aesthetics and production techniques of its products. As a result alterations to our products and designs take place continually. Whilst every effort is made to produce information and literature that is up to date, this brochure should not be regarded as an infallible guide to the current specifications, nor does it constitute an offer for the sale of any particular product. Product dimensions indicated in our literature is indicative only. Actual product only should be used to define dimension cut outs. Distributors, and retailers are not agents of Eurolinx and are not authorized to bind Eurolinx by any express or implied undertaking or representation.

FOLLOW US ON: [instagram.com/artusi_appliances](https://www.instagram.com/artusi_appliances)

www.linkedin.com/company/eurolinx-pty-ltd-t-a-ilve/

Australia National Telephone Number 1300 (694 583) New Zealand Telephone Number 64 3 344 5913
Artusi showroom hours: Tuesday to Friday - 9am-5pm, Saturday - 10am-4pm, Sunday and Monday - closed
* Melbourne showroom hours: Tuesday to Saturday - 10am-4pm

[artusi.com.au](https://www.artusi.com.au)

NSW & ACT (Head Office)
48-50 Moore Street
Leichhardt
F 02 8569 4699

QLD
1/42 Cavendish Road
Coorparoo
F 07 3397 0850

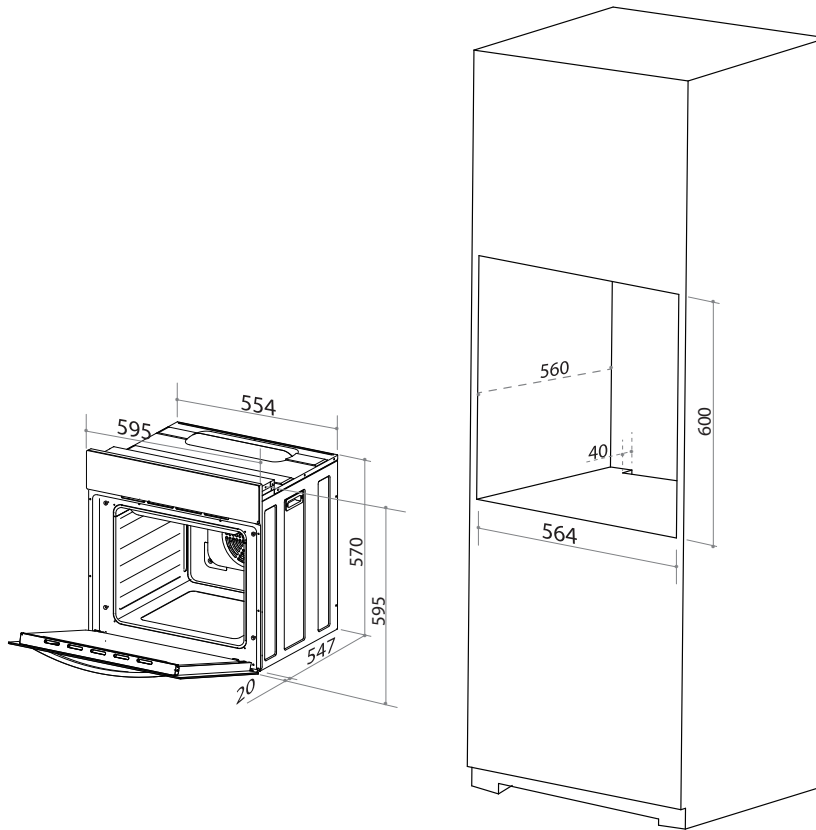
WA & NT
Unit 10/55 Howe Street
Osborne Park
F 08 9201 9188

New Zealand
PO Box 11,160
Sockburn Christchurch
F 03 344 5906

60CM BUILT-IN ELECTRIC OVEN

MODEL AO676B

TECHNICAL DIAGRAM



NB: drawings are not to scale — they are to be used for detailed installation instructions, please refer to user guide.

EAN 9347777002907

AR16092021

DISCLAIMER

Eurolinx PTY LTD, is continually seeking ways to improve the design specifications, aesthetics and production techniques of its products. As a result alterations to our products and designs take place continually. Whilst every effort is made to produce information and literature that is up to date, this brochure should not be regarded as an infallible guide to the current specifications, nor does it constitute an offer for the sale of any particular product. Product dimensions indicated in our literature is indicative only. Actual product only should be used to define dimension cut outs. Distributors, and retailers are not agents of Eurolinx and are not authorized to bind Eurolinx by any express or implied undertaking or representation.

AO676B Built-in Electric Oven

Power Consumption: 2 kw/h

Electrical connection: 'Plug & Play' power cord fitted (1.5m in length with 10AMP plug)

FOLLOW US ON:  [instagram.com/artusi_appliances](https://www.instagram.com/artusi_appliances)

 www.linkedin.com/company/eurolinx-pty-ltd-t-a-llve/

Australia National Telephone Number 1300 (694 583) New Zealand Telephone Number 64 3 344 5913
Artusi showroom hours: Tuesday to Friday - 9am-5pm, Saturday - 10am-4pm, Sunday and Monday - closed
* Melbourne showroom hours: Tuesday to Saturday - 10am-4pm

[artusi.com.au](https://www.artusi.com.au)

NSW & ACT (Head Office)
48-50 Moore Street
Leichhardt
F 02 8569 4699

QLD
1/42 Cavendish Road
Coorparoo
F 07 3397 0850

WA & NT
Unit 10/55 Howe Street
Osborne Park
F 08 9201 9188

New Zealand
PO Box 11,160
Sockburn Christchurch
F 03 344 5906