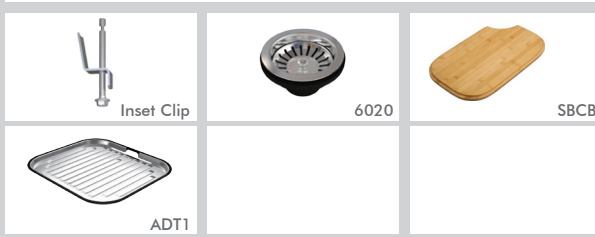


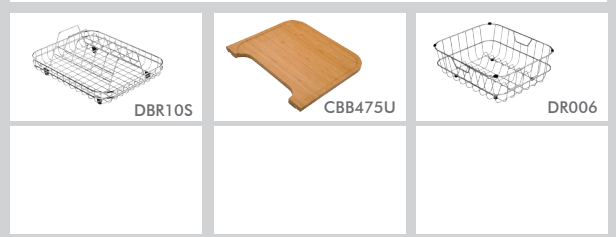


Model Code: Q180

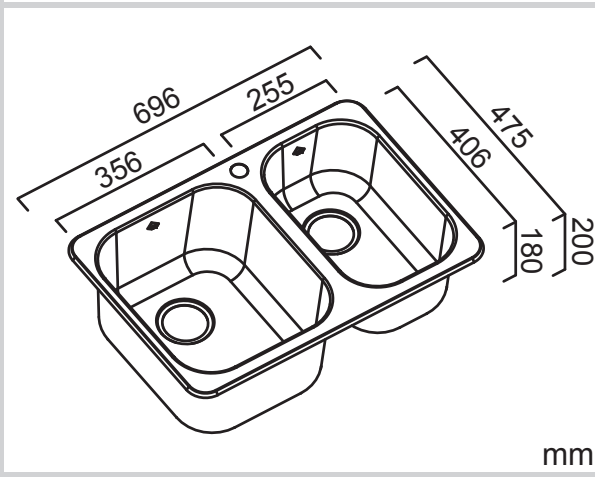
Included Accessories



Optional Accessories



Dimensions



Specifications

Description	Double bowls, inset sink
Overall Sink Size	696mm x 475mm x 200mm deep
Bowl Dimensions	356mm x 406mm x 200mm deep 255mm x 406mm x 180mm deep
Drainer Length	N/A
Technic	Press
Material	Stainless steel SUS304

Installation

Fixings	Inset clips supplied
Template	Supplied
Min Cabinet Size	711mm
Waste Holes	2 x 90mm round Compatible with waste disposal

Plumbing

Waste Fittings	2 x (90mm x 2") basket wastes included
Overflow	Available, conditions apply

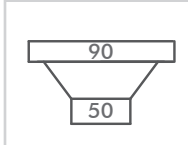
Packaging

Carton Type	EPS protection & individual carton
Gross Weight	10.83Kg
Carton Size	900mm x 500mm x 275mm
Pack QTY	1

SURFACE FINISH



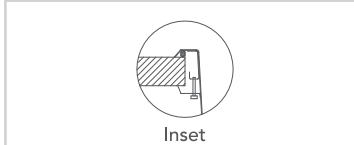
WASTE KIT



MATERIAL



INSTALLATION OPTIONS



PROFILE