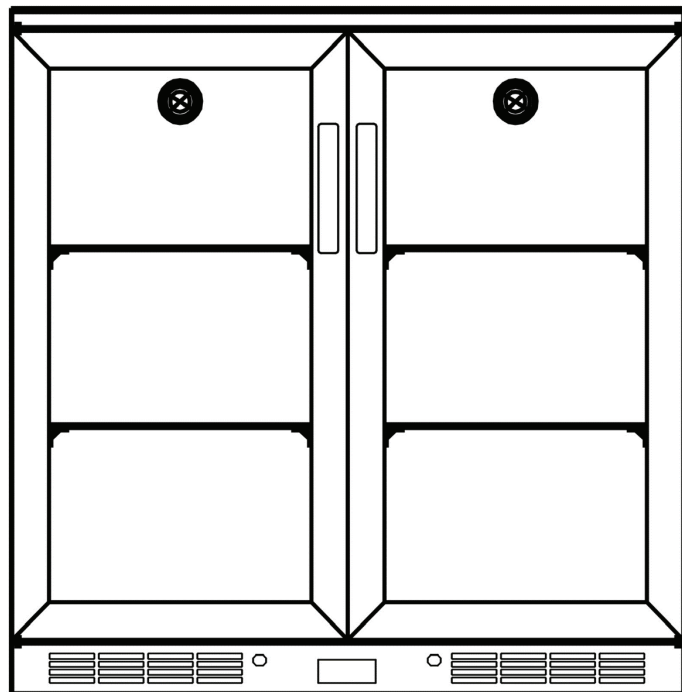
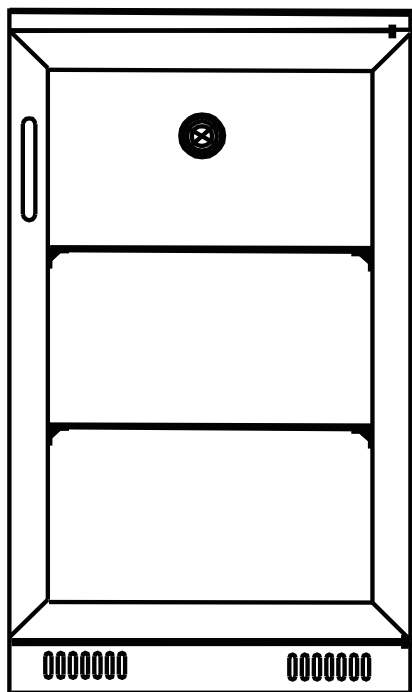


INSTALLATION, OPERATION & MAINTENANCE INSTRUCTIONS

Model EBC128B/EBC208B BEVERAGE COOLER



INSTALLATION, OPERATION AND MAINTENANCE INSTRUCTIONS FOR NEO BEVERAGE COOLER

CONTENTS

SECTION	PAGE NO.
Appliance Details	2
Important Safety Instructions	3
Installation	4
Operating Instructions	5
Care & maintenance	6
Data Labels with Electrical Diagrams	6
Troubleshooting	7

It is important that you retain these instructions, proof of purchase as well as other important documents about this product for future reference.
Due to continual product development, Neo reserves the right to alter specifications or appearances without notice.
Dispose of packaging responsibly – recycle where facilities are available.

APPLIANCE DETAILS

ELECTRICAL DETAILS:

Rated Voltage: 220-240 Vac 50 Hz.
Supply Connection: 10 A domestic socket.
Max Rated Inputs: See data label on unit.

This information can be found on the rating plate (data label) affixed to the rear of the appliance.

Before connecting the beverage cooler to the power source, let it stand upright for approximately 2 hours. This will reduce the possibility of a malfunction in the cooling system from handling during transportation. Clean the interior surface with lukewarm water using a soft cloth.



Caution: Risk of Fire / Flammable material

IMPORTANT SAFETY INSTRUCTIONS

IMPORTANT: Read the assembly instruction section and safety precautions of this booklet carefully before removing the contents of this carton.

1. Do not store any foodstuffs in the beverage cooler
2. Do not use an extension cord with this appliance. If the power cord is too short, have a qualified electrician or service technician install an outlet near the appliance.
3. This appliance is not intended for use by persons (including children) with reduced physical, sensory or mental capabilities, or lack of experience or knowledge, unless they have been given supervision or instruction concerning the use of the appliance by a person responsible for their safety. Children should be supervised to ensure that they do not play with the appliance.
3. Do not place heavy objects on or in this appliance.
4. The appliance is not intended to be operated by means of an external timer or separate remote control system.
5. Electrical connection must be made as per local wiring rules and regulations. Do not disconnect the appliance with wet hands and do not disconnect the power cord with extreme force.
6. The appliance should be unplugged before any maintenance is carried out on the appliance.
7. If the supply cord is damaged, it must be replaced by the manufacturer, its Authorised Service Centre or a similarly qualified person in order to avoid a hazard.
8. Warning: Ensure that the ventilation openings, in the appliance enclosure or in the built-in structure, are not obstructed.
9. Warning: Do not damage the refrigerant circuit. Do not use electrical appliances inside the appliance.
10. Do not store explosive substances such as aerosol cans with flammable propellant in this appliance.
11. Do not modify this appliance.
12. When fitting the beverage cooler into the module, try to keep the beverage cooler centralised within the module.
13. This appliance must be correctly installed by, strictly in accordance with the manufacturer's instructions. Please see the specific section of this booklet that refers to installation.
14. This appliance contains insulation formed with flammable blowing gases. When disposing of this appliance, please do so according to local regulations as it contains flammable gas & refrigerant.
15. Warning: When disposing of this appliance, remove any doors. Children can suffocate if they get trapped inside.
16. Do not clean the beverage cooler while it is on or plugged into the mains power supply.
17. Only use the beverage cooler on flat and level ground.
18. The beverage cooler is not designed for use within 1 meter or above a water source.
19. During transportation, installation and servicing of the appliance ensure that none of the components of the refrigerant circuit are damaged.
20. Warning: Keep ventilation openings, in the appliance enclosure or in the built-in structure, clear of obstruction.
21. Warning: Do not use mechanical devices or other means to accelerate the defrosting process, other than those recommended by the manufacturer.
22. Warning: Do not use electrical appliances inside the food storage compartments of the appliance, unless they are of the type recommended by the manufacturer.
23. Refrigerant R600a and cyclopentane foaming material used for the refrigerator are flammable. Therefore, when the refrigerator is scraped, it shall be kept away from any fire source and be recovered by a Licensed refrigerant recovery company other than be disposed by combustion, so as to prevent damage to the environment or any other harm.
24. When the refrigerator is scraped, disassemble the doors, and remove gasket of door and shelves, put the doors and shelves in a proper place, so as to prevent entrapment.
25. Warning: When positioning the appliance, ensure the supply cord is not trapped or damaged.
26. Warning: Do not locate multiple portable socket-outlets or portable power supplies at the rear of the appliance.

INSTALLATION

UNPACKING THE APPLIANCE

Remove the external & internal packaging.

When unpacking the appliance please check that the following items are contained within the packaging:

- 2 shelves - EBC128B, 4 shelves - EBC208B
- 2 Keys
- 1 Instruction Manual
- Warranty Card

Before connecting the beverage cooler to the power source, let it stand upright for approximately 2 hours. This will reduce the possibility of a malfunction in the cooling system from handling during transportation. Clean the interior surface with lukewarm water using a soft cloth.

PROTECTION FROM HEAT

The beverage cooler should be protected from excessive heat sources and out of direct sunlight.

MOVING

When fixed or moved, the beverage cooler cannot be set horizontally or reclined to more than 45° or positioned upside down. Never move while beverage cooler is plugged in and operating.

POSITIONING

Ensure the sides and rear have at least 5mm clearance to ensure adequate ventilation. Never cover the sides as this will overheat the unit and cause it not to operate. Never cover the bottom front grill as this is also required for ventilation.

After installation the appliance should be left for 2 hours before it is switched on in order to allow the refrigerant to settle.

Do not under any circumstances cut or remove the third (ground) prong from the power cord. Any questions concerning power and/or grounding should be directed toward a certified electrician or an Authorised Service Centre.

Do not use an extension cord and only use a dedicated wall outlet.

FOR YOUR SAFETY

NOTE: If using the beverage cooler outside in an alfresco area ensure that it is directly connected to an outdoor power point.

The electrical system of this beverage cooler must be connected with an automatic 30mA circuit breaker and/or residual current device (RCD). If uncertain have a qualified electrician check your electrical system before installation and/or use.

All electrical connections are to be made in a dry area.

Outdoor power points must be weatherproof and installed by a qualified electrician.

Neo is not responsible for incorrectly located beverage coolers.

Chose a location that is not too cold – the temperature should be above 10°C.
The appliance shall not be exposed to rain.
Ensure that the electric outlet is properly earthed to ground. Consult a qualified electrician if you are unsure.

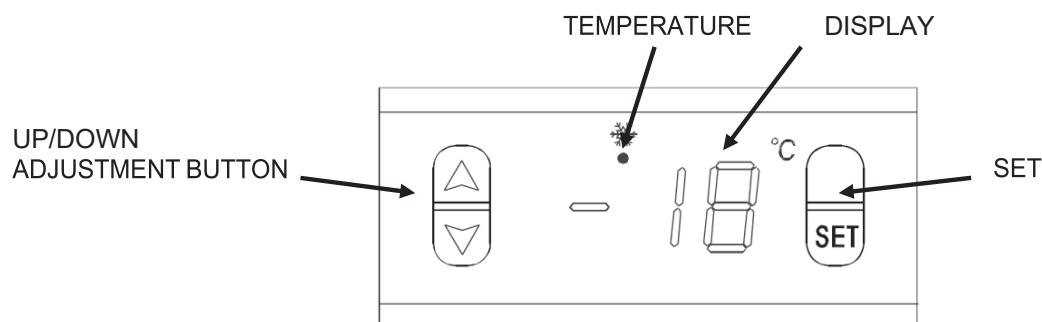
This appliance is intended to be used in household and similar applications such as:

- Staff kitchen areas in shops, offices, and other working environment.
- Farmhouse.
- By clients in hotels, motels, and other residential type environments.
- Bed and breakfast type environments.
- Areas for communal use in blocks of flats or in launderettes.

OPERATING INSTRUCTIONS

CONTROL PANEL:

- Your beverage cooler has one control for regulating the temperature. The temperature control is located on the lower middle of the appliance.
- If the unit is unplugged, loses power, or turned off; you must wait 3 to 5 minutes before restarting the unit. If you attempt to restart before this time delay, the beverage cooler will not start.
- The temperature range of the beverage cooler is 0°C ~ 10°C.
- The display indicates the internal temperature of the appliance.



Manual Temperature Setting

The temperature of the beverage cooler should be set anywhere between 0°C ~ 10°C.

- 1) Press the [SET] button.
- 2) Press the ▲ or ▼ buttons to increase or decrease the desired temperature in increments of one degree.
- 3) Press the [SET] button to confirm your desired temperature setting. If no pad is pressed within 6 seconds, your selected temperature setting will be automatically confirmed.

Lock Temperature Panel

You are able to lock the temperature panel by pushing and holding down the ▼Down adjustment button for 6 seconds. Unlocking is done in the same way.

Adjustable Interior Shelves

Multi-position interior shelves can be moved to any position for larger or smaller beverages. The cable ties that stabilise the shelves for shipping should be removed and discarded.

Interior Light

The light can be turned on and off by pressing the light button position located to the right of the temperature display on the bottom of beverage cooler. Please open the cover to be able to access the light switch.

Door Lock

The beverage cooler is equipped with a lock on the bottom the door. On the double door version there will be lock on each door. Two keys are provided. Keep the keys out of reach of children.

CARE AND MAINTENANCE

CLEANING THE BEVERAGE COOLER

Upon installation of your new appliance, it is recommended that it be cleaned thoroughly. Turn off the power to the appliance, unplug the beverage cooler and remove the trays.

Wipe the inner and outer surface of the beverage cooler and its accessories with soft, clean wet cloth. If they are too dirty, scrub them with neutral detergent, and then clean them with water and dry them with a clean cloth.

When cleaning try cleaning a small area at a time, so no damage occurs.

The glass doors can be cleaned using a non-abrasive glass window cleaning solution and a cloth.

Dry the interior and exterior with a soft cloth.

If the plastic parts in beverage cooler become contaminated by oil (animal or vegetable), they could become brittle and possibly cracked.

The beverage cooler should be cleaned and maintained once a month with a soft, clean cloth.

CARE WHEN GOING ON VACATION

Short vacations: Leave the beverage cooler operating during vacations of less than three weeks.

Long vacations: If the appliance will not be used for several months, remove all beverages, and unplug the powercord. Clean and dry the interior thoroughly. To prevent odour and mould growth, leave the door open slightly: blocking it open if necessary or have the door removed. Do not leave access to children.

MOVING YOUR BEVERAGE COOLER

Remove all the beverages.

Securely tape down all loose items inside your appliance.

Tape the doors shut.

When fixed or moved, the beverage cooler cannot be set horizontally or reclined to more than 45° or positioned upside down.

Never move the beverage cooler while it is plugged in and operating.

ENERGY SAVING TIPS

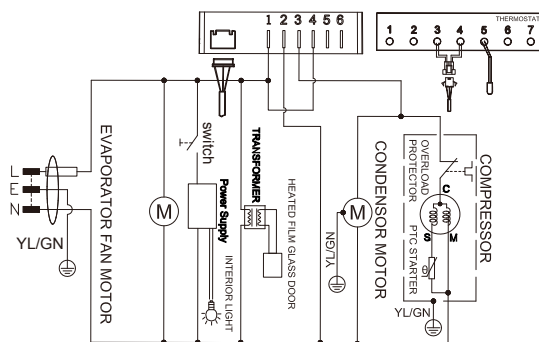
The beverage cooler should be located in the coolest location, away from heat producing appliances or heating ducts, and out of the direct sunlight.

Overloading the beverage cooler forces the compressor to run longer.

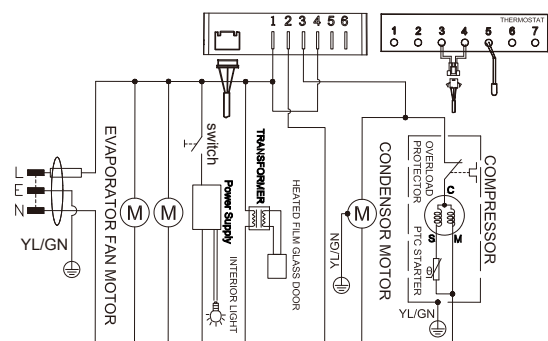
DATA LABELS & ELECTRICAL DIAGRAMS

Specifications are subject to change without prior notice.

If the technical specifications are different from the data label on the back of the beverage cooler, please refer to the data label.



EBC128B



EBC208B

Model	EBC128B	Model	EBC208B
Doors	1	Doors	2
Capacity	128L	Capacity	208L
Rated Voltage	220 ~ 240V AC	Rated Voltage	220 ~ 240V AC
Rated Frequency	50Hz	Rated Frequency	50Hz
Rated Current	1.0A	Rated Current	1.5A
Net Weight	43.5KG	Net Weight	57KG
Refrigerant	R600A	Refrigerant	R600A
Refrigerant Charge Volume	40G	Refrigerant Charge Volume	55G
Foam Blowing Agent	Cyclopentane	Foam Blowing Agent	Cyclopentane

TROUBLESHOOTING

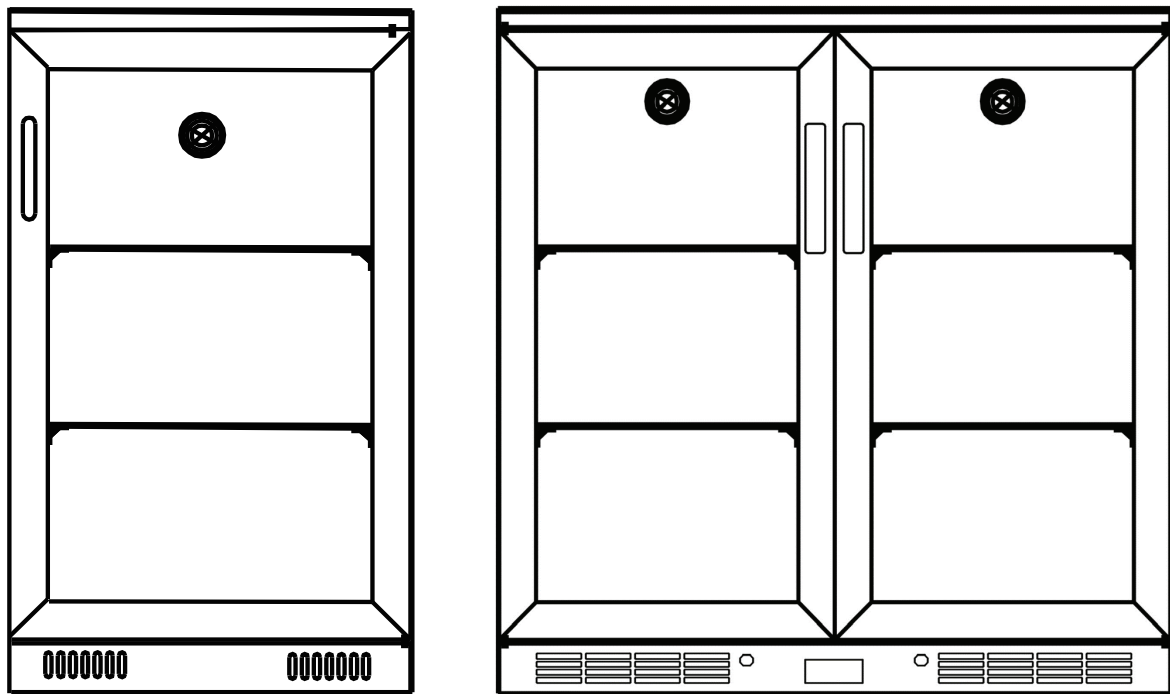
PROBLEM	POSSIBLE CAUSE
Beverage cooler does not operate.	Not plugged in. The circuit breaker tripped or a blown fuse.
Compressor turns on and off frequently.	The room temperature is hotter than normal. A large number of beverages has been added into the beverage cooler. The door is open too often, or not fully closed. The temperature control is not set correctly. The door gasket does not seal properly. The appliance has recently been disconnected for a period of time. Four hours are required for the appliance to cool down completely.
Temperature inside the beverage cooler is too warm.	Temperature control is set too warm. Adjust the control to a cooler setting and allow several hours for the temperature to stabilize. Door is kept open too long or opened too frequently. Open the door less. The door is not closed completely. The door gasket does not seal properly.
Temperature inside the beverage cooler is too cold.	Temperature control is set too cold. Adjust the control to a warmer setting and allow several hours for the temperature to stabilize.
Popping or cracking sound when compressor comes on.	Metal parts undergo expansion and contraction, as in hot water pipes. This is normal. Sound will level off or disappear as the appliance continues to run.
Bubbling or gurgling sound, like water boiling.	Refrigerant (used to cool the beverage cooler) is circulating throughout the system. This is normal.
Vibrations.	Check to assure that the beverage cooler is level. Floor is uneven or weak. The appliance rocks on the floor when it is moved slightly. Be sure floor can adequately support the appliance. The appliance is touching the wall.
Moisture forms on inside the beverage cooler walls.	Weather is hot and humid, which increases internal rate of frost build-up. This is normal. Door is slightly open. Door is kept open too long/too frequently. Open the door less often. The door is not sealed properly.
Moisture forms on outside of the beverage cooler.	Door is slightly open, causing cold air from inside the beverage cooler to meet warm moist air from outside.
The door will not close properly.	The beverage cooler is not level. The gasket is dirty. The trays may be out of position.

IMPORTANT: If your appliance appears not to be operating correctly, turn off the appliance at the switch and then contact the Service Department for advice.

DO NOT ATTEMPT TO REPAIR THE APPLIANCE YOURSELF.

The appliance must be accessible for a qualified person to perform any necessary repair.

This beverage cooler is not designed for perishable foods.



WORLDWIDE APPLIANCES
48 Moore Street, Leichhardt, NSW 2040 Australia
Tel: 1300 694 583
Website: www.everdure.au