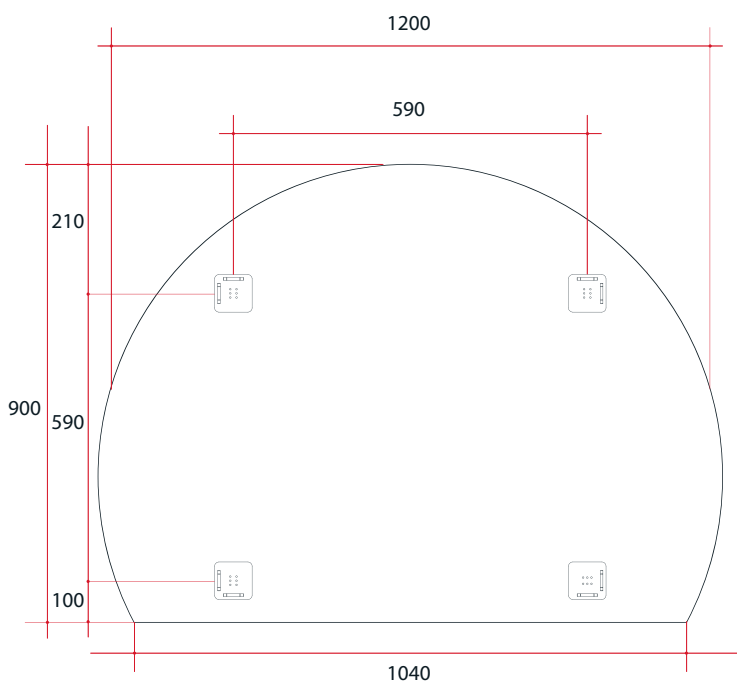


# Ablaze Hamilton Frameless Mirror

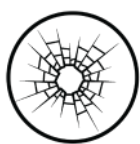
## D-Shaped Polished Edge Mirror



Note: All dimensions are in millimetres (mm)

The depth of the mirror is 5mm, the space between the back of the mirror and the wall due to the hangers is 9mm making the total depth 14mm.

Stock Code	Mirror Size (mm)	Shape	Edge
HD1290HN	1200 x 900 x 14	D-Shaped	Polished Edge



**Safety backing film**



**Four hanging orientations**



**Copper-free mirror**



**Two year warranty**



**Hangers for easy installation**



**5mm thick mirror**

**PLEASE NOTE:** Mirrors will need to be installed in accordance with the Installation Guide. Ablaze does not take responsibility for incorrect installation of these mirrors. Specifications are for information purposes only. Whilst every effort has been made to ensure the product specifications are accurate, due to continuing product development and improvement, the specifications are subject to change. Specifications can be used to rough in and for timber supports in the wall however, we recommend no holes are drilled without having the product on site or verifying the details with the manufacturer. Thermogroup cannot be held liable or responsible for errors due to updated specifications.