

Installation instructions

CombiCooler/Cooler/WineCooler/Freezer
V6000 Supreme, integrated



1091916-R01

07/05/2020

		CCO6T-51096 CO6T-51098	WC6T-51097 FR6T-51099		

Validity

These installation instructions apply to the following models:

Model designation	Type	Size system
CombiCooler V6000 Supreme	CCO6T-51096	90
Cooler V6000 Supreme	CO6T-51098	90
WineCooler V6000 Supreme	WC6T-51097	60
Freezer V6000 Supreme	FR6T-51099	60

General notes

Observe the local regulations. If installing into a combustible material, the guidelines and standards for fire protection must be complied with.

Electrical connections must be carried out by qualified personnel in accordance with the guidelines and standards for low-voltage installations and the specifications of the local electricity supply companies.

A plug-in appliance may only be connected to a socket outlet with earthing contact, installed according to specifications. An all-pole mains isolating device with 3 mm contact opening should be provided in the house wiring system. Switches, plug and socket devices, circuit breakers and fusible cut-outs which are accessible after installation and which have all-poles switching are permissible as isolating devices. Effective earthing and separately installed neutral and earth conductors ensure safe and fault-free operation. After installation, live parts and cables with basic insulation must not be accessible. Check old installations.

► Refer to the identification plate for information on the required mains voltage, current type and fuse protection.

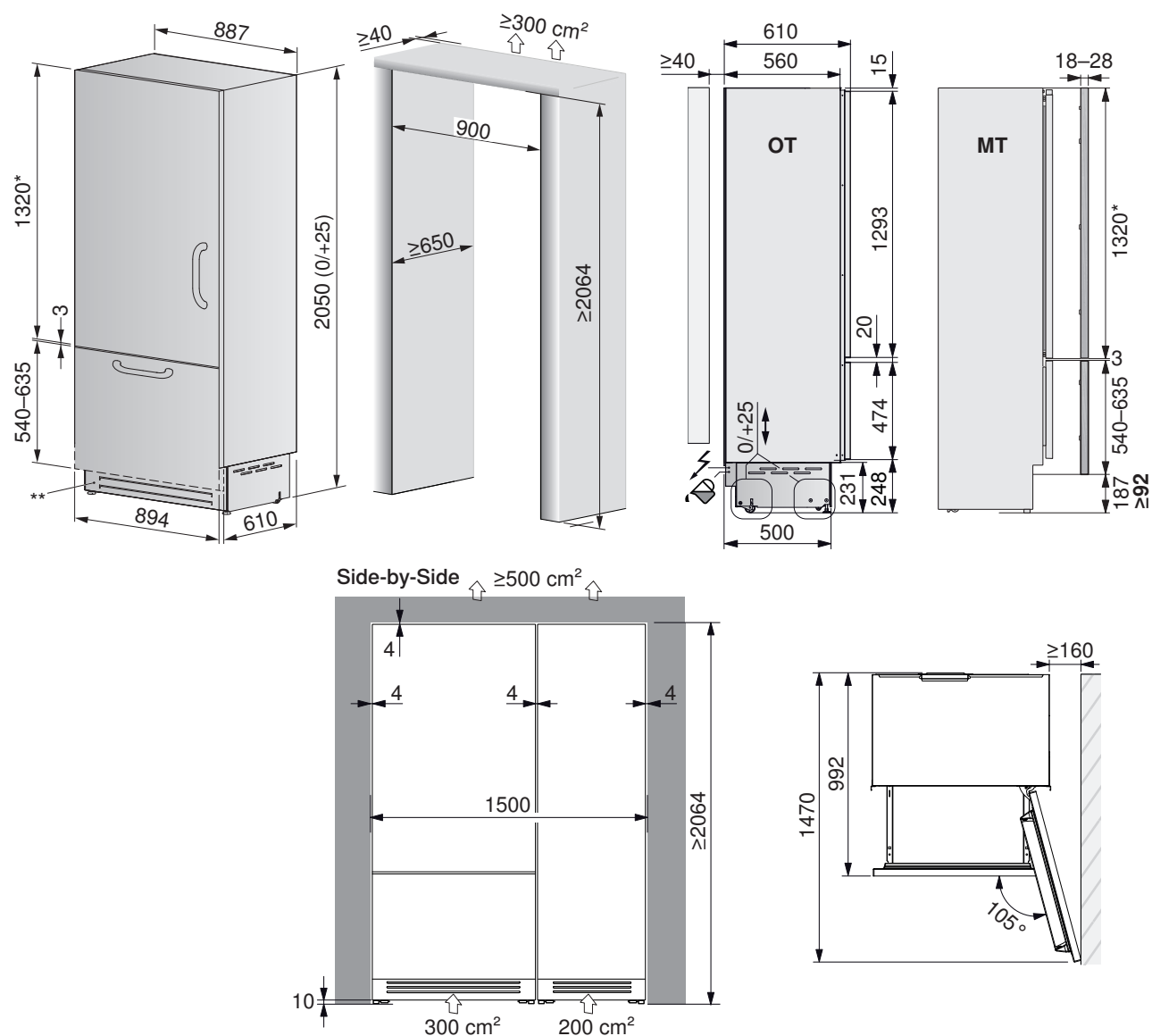
The appliance is available with left- and right-door opening.

The appliance door cannot be reversed or modified for technical reasons.



Technical details and installation dimensions

CombiCooler V6000 Supreme (51096)

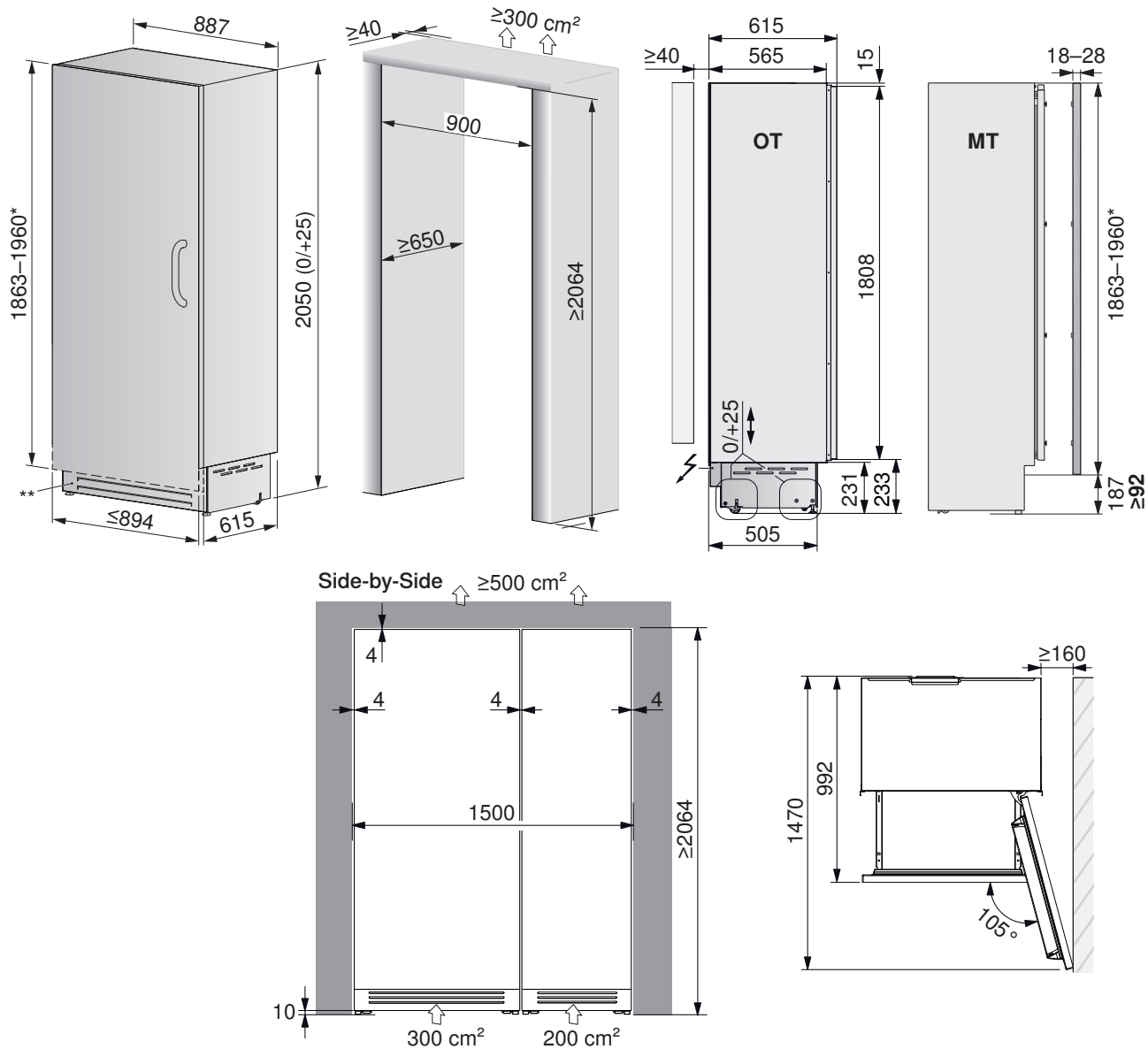


- * = For niche height >2064, height of door panel must be adjusted.
- ** = Chrome front grille can be replaced by kitchen cabinet front. Details: Completing the installation (see page 20).
- = Water connection: Length 2.5 m, a water outlet and Aquastop does not have to be provided.
- = Electrical connection cable: 2 m.
- OT/MT = View without door panel (OT), view with door panel (MT)

Gross weight / Max. permissible weight of door panel	~212 kg / 23 kg (top), 11 kg (bottom)
Mains voltage / Fuse protection	AC 220-240V 50 Hz / 10 A
Mains cable (EU version) / Mains cable (CH version)	with 16 A schuko plug (EU) / with type 12 CH plug (CH)
Water supply	Included in scope of delivery: 3/4 inch internal thread, food safe
Drinking water supply pressure	from 0.05 MPa to 0.5 MPa (0.5 bar - 5 bar)
Spare parts and accessories for installation supplied	Mounting kit for custom door panels, side mounting kit, water filter, 4 mm (1/8 inch) Allen key
Installation accessories	Chrome steel door panel set (incl. chrome designer handle) width: 894, height of fridge compartment: 1320, height of freezer compartment: 581, hinge left: Article no. 1090119 hinge right: Article no. 1087155



Cooler V6000 Supreme (51098)



* = For niche height >2064, drill holes in and height of door panel must be adjusted.

** = Chrome front grille can be replaced by kitchen cabinet front. Details: Completing the installation (see page 20).

⚡ = Electrical connection cable: 2 m.

OT/MT = View without door panel (OT), view with door panel (MT)

Gross weight / Max. permissible weight of door panel	~189 kg / 34 kg
Mains voltage / Fuse protection	AC 220-240V 50 Hz / 10 A
Mains cable (EU version) / Mains cable (CH version)	with 16 A schuko plug (EU) / with type 12 CH plug (CH)
Spare parts and accessories for installation supplied	Mounting kit for custom door panels, side mounting kit, 4 mm (1/8 inch) Allen key
Installation accessories	Chrome steel door panel set (incl. chrome designer handle) width: 894, height: 1904 hinge left: Article no. 1090120 hinge right: Article no. 1087157

Installation instructions

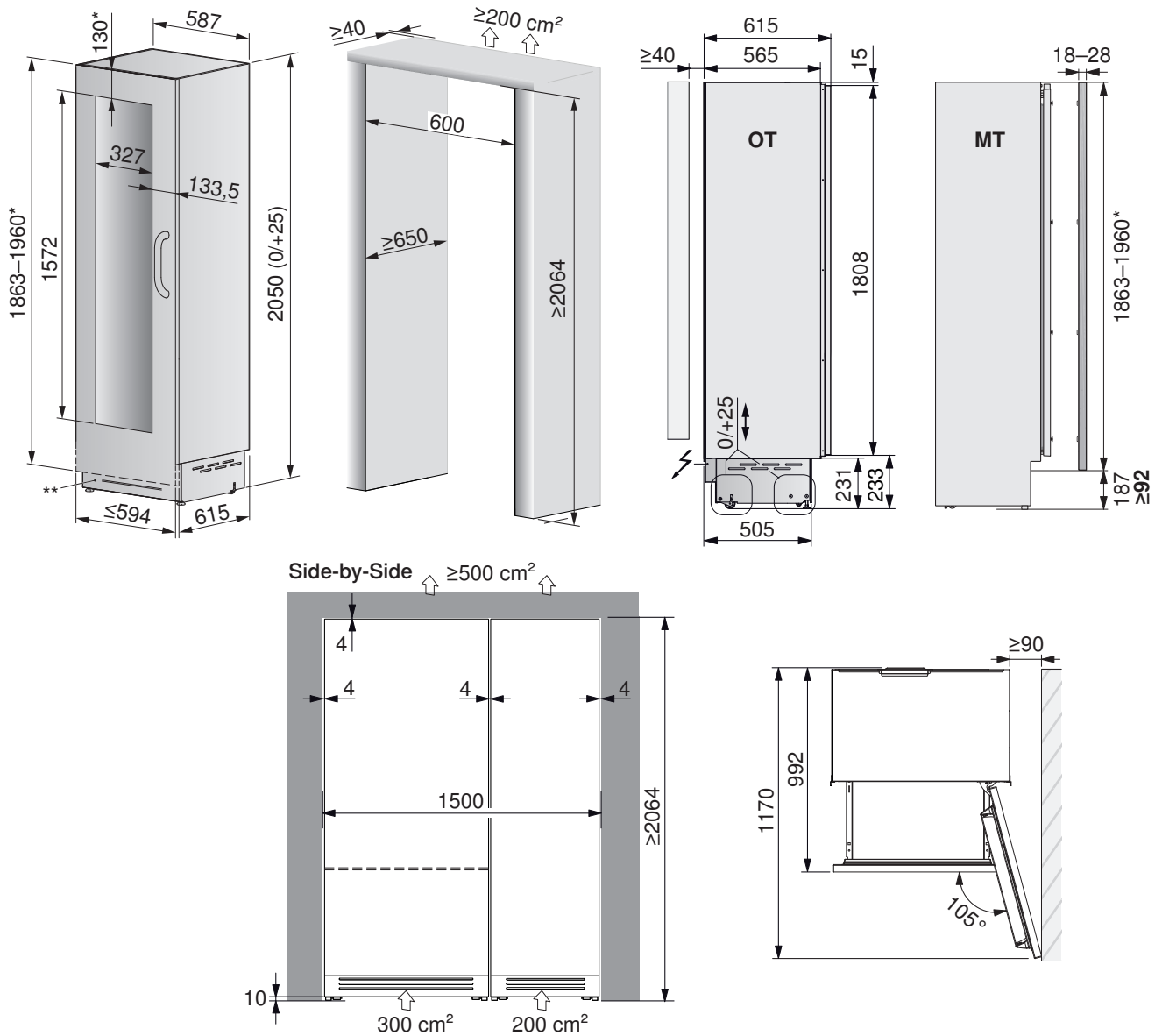
CombiCooler/Cooler/WineCooler/Freezer
V6000 Supreme, integrated



1091916-R01

07/05/2020

WineCooler V6000 Supreme (51097)



* = For niche height >2064, drill holes in and height of door panel must be adjusted.

** = Chrome front grille can be replaced by kitchen cabinet front. Details: Completing the installation (see page 20).

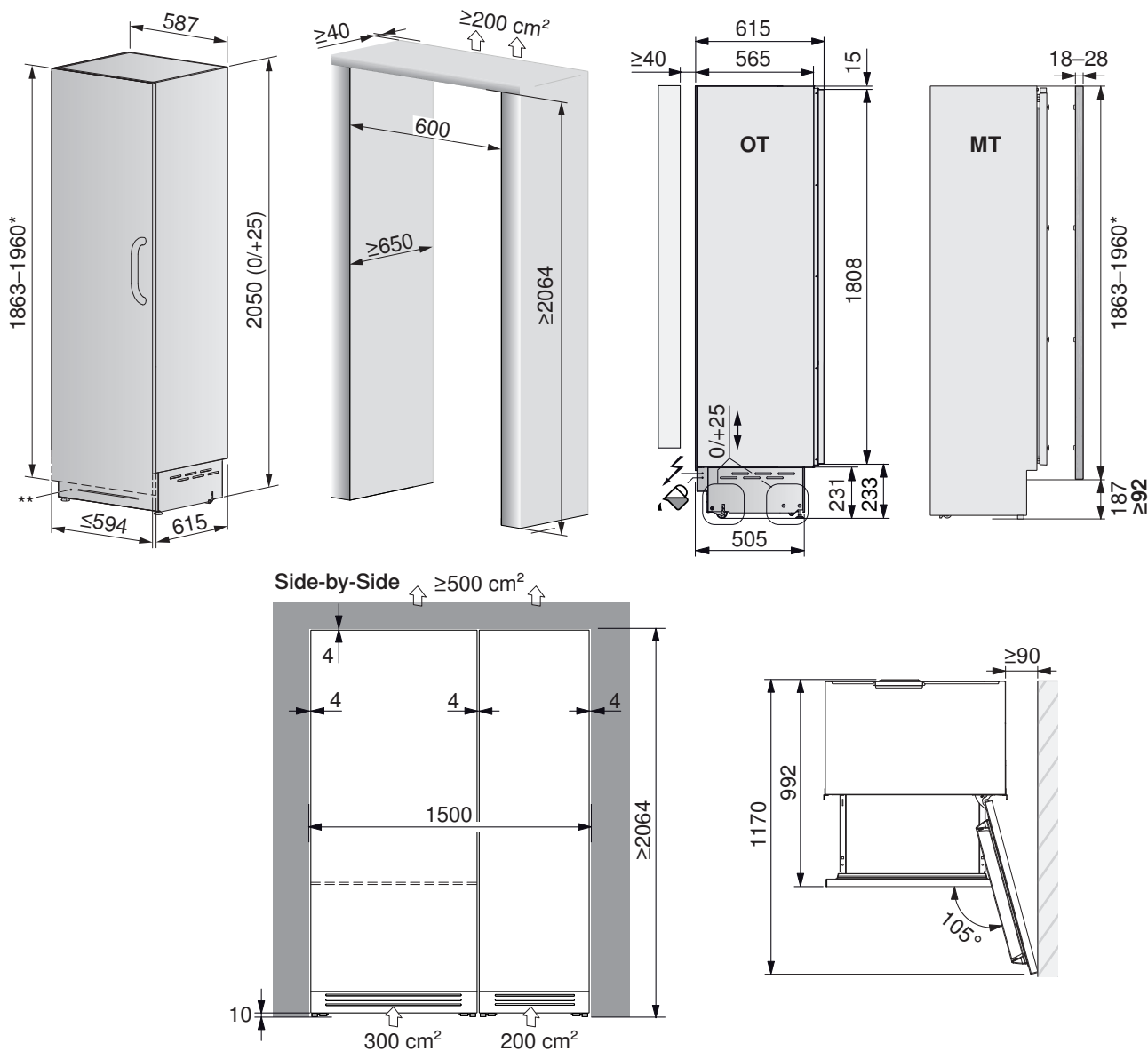
⚡ = Electrical connection cable: 2 m.

OT/MT = View without door panel (OT), view with door panel (MT)

Gross weight / Max. permissible weight of door panel	~153 kg / 34 kg
Mains voltage / Fuse protection	AC 220-240V 50 Hz / 10 A
Mains cable (EU version) / Mains cable (CH version)	with 16 A schuko plug (EU) / with type 12 CH plug (CH)
Spare parts and accessories for installation supplied	Mounting kit for custom door panels, side mounting kit, 4 mm (1/8 inch) Allen key
Installation accessories	Chrome steel door panel set (incl. chrome designer handle) width: 594, height: 1904 hinge left: Article no. 1090121 hinge right: Article no. 1087156



Freezer V6000 Supreme (51099)



- * = For niche height >2064, drill holes in and height of door panel must be adjusted.
- ** = Chrome front grille can be replaced by kitchen cabinet front. Details: Completing the installation (see page 20).
- = Water connection: Length 2.5 m, a water outlet and Aquastop does not have to be provided.
- = Electrical connection cable: 2 m.
- OT/MT = View without door panel (OT), view with door panel (MT)

Gross weight / Max. permissible weight of door panel	~153 kg / 34 kg
Mains voltage / Fuse protection	AC 220-240V 50 Hz / 10 A
Mains cable (EU version) / Mains cable (CH version)	with 16 A schuko plug (EU) / with type 12 CH plug (CH)
Water supply	Included in scope of delivery: 3/4 inch internal thread, food safe
Drinking water supply pressure	from 0.05 MPa to 0.5 MPa (0.5 bar - 5 bar)
Spare parts and accessories for installation supplied	Mounting kit for custom door panels, side mounting kit, water filter, 4 mm (1/8 inch) Allen key
Installation accessories	Chrome steel door panel set (incl. chrome designer handle) width: 594, height: 1904 hinge left: Article no. 1090126 hinge right: Article no. 1090125



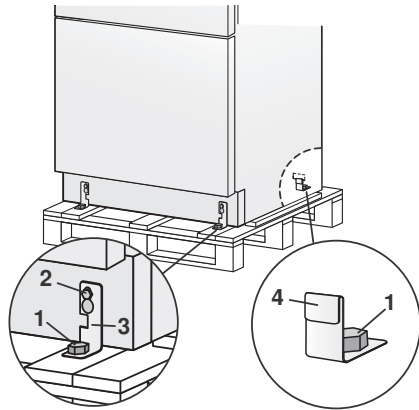
Preparing the installation

Transport and unpacking

The appliance is very heavy! Extreme caution should be exercised when transporting it to prevent injury to people and damage to property.

The appliance must be transported in an upright position – never on its front.

As the appliance is large and heavy, the transport company should inform itself beforehand about access to the site where the appliance is to be installed (door dimensions, room to move on the stairs, etc.). The appliance is secured with four removable brackets at the bottom of the packaging (pallet). Use a hand-operated trolley to transport the appliance to the site where it is to be installed and only then remove the bottom of the packaging. The appliance should be kept upright as far as possible during transport. If the appliance has to be taken off the pallet, it can be transported on its rollers. If this is not possible due to the lay of the ground, aids used must support the appliance at the bottom right and left sides. It is important that the base plate be supported at both sides because of the extendable base plate, which is rather unstable and supports several components of the refrigeration circuit. If this is not possible, carefully tilt the appliance onto its back or side (hinge side) to transport it. At the installation site, remove the packaging and take the appliance off the pallet. Procedure:



- ▶ Loosen the four fastening screws **1** securing the appliance to the pallet using a 17 mm (3/4 inch) open-end wrench and remove the fastening brackets **3** and **4**.
- ▶ To remove the front fastening bracket **3**, loosen the adjusting nut of the the back wheels **2** by a few turns using a 13 mm (1/2 inch) wrench. Do not use excessive force to prevent damage to the adjustment system for levelling the feet.
- ▶ Working from the back of the appliance and using a hand-operated trolley appropriate to the dimensions and weight of the appliance, remove the appliance from the pallet and place carefully on the floor.

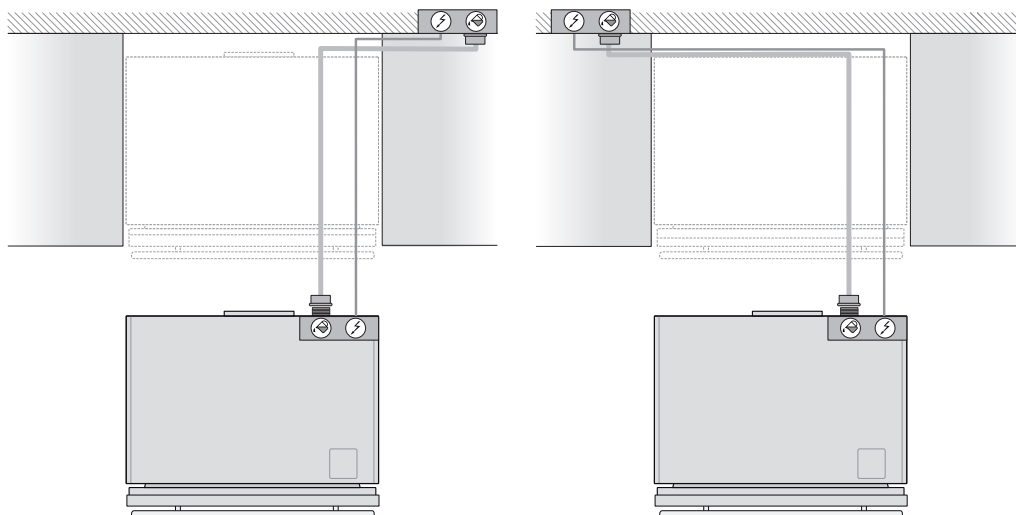
Extreme care should be taken so as not to damage the floor. Particularly delicate floors should be protected beforehand with hardboard or plywood panels or other suitable materials.

Electrical and water connection

The water filter (depending on model) in the appliance cannot guarantee the potability of water which is not intended for human consumption.

Connect the water connection to a drinking water supply only.

Do not use reducers or extensions! If the main water tap has to be turned off, then the ice cube mode function (depending on model) needs to be deactivated first using the touch display (see the operating instructions on how to do this).



View from above

= Electrical connection
 = Water connection (depending on model)

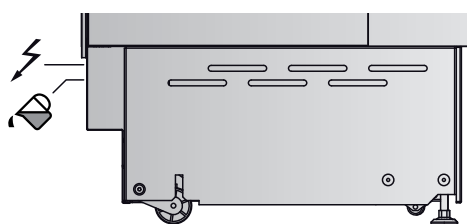
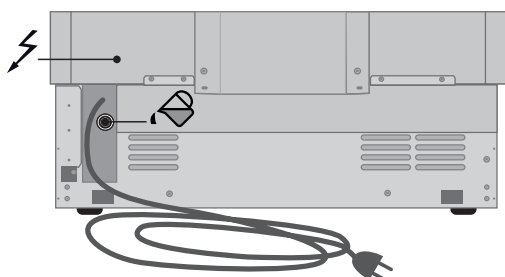
Installation instructions

CombiCooler/Cooler/WineCooler/Freezer
V6000 Supreme, integrated



1091916-R01

07/05/2020



ⓘ View from back (left) and side view (right).

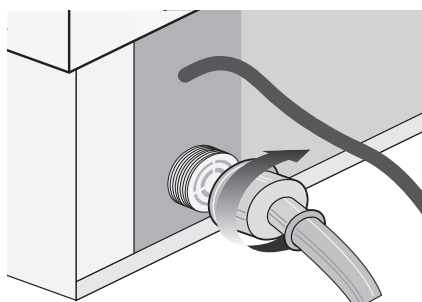
⚡ = Electrical connection


💧 = Water connection (depending on model)

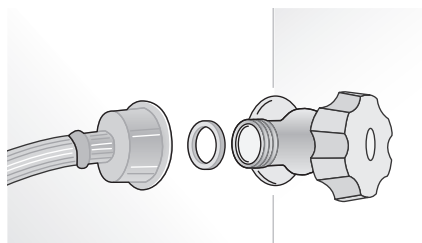
A 16 A schuko socket or 10 A type 12/13 socket with earth conductor protected by an easily accessible all-pole switch must be provided for the electrical connection. A tap with a $\frac{3}{4}$ inch external (male) thread must be provided for the water connection (in appliances with an ice-maker) and must also be easily accessible after the appliance has been installed. Only the hose included in the scope of delivery should be used to connect the appliance to the tap. The appliance must be connected to the drinking water supply, taking into account the current regulations of the country in which the appliance is being installed, and for the CombiCooler V6000 Supreme (51096) and – depending on the water quality – also for the Freezer V6000 Supreme (51099) the water filter cartridge supplied be installed, as explained in the instructions provided. The water hose can be shaped by heating (max. temperature 120 °C / 248 °F) without the risk of causing throttle points (max. bending radius 40 mm - 1 5/8 inch). The hose can be restored to its original shape by reheating it.

Mains cable with plug, length 200 cm,

Water connection pipe, length: 250 cm. Procedure:



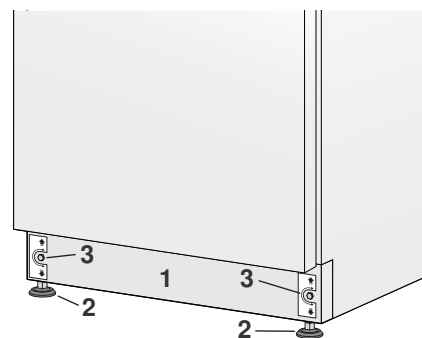
- ▶ Unwind the power cord and plug it directly into the wall socket.
- ▶ Make sure the appliance is on stand-by and that the illumination is off; if not, hold the  button depressed for 3 seconds and then confirm.
 - The appliance is switched off.
- ▶ Connect the water hose at the back of the refrigerator.



- ▶ Connect the water hose to the tap using the seals included in the scope of delivery.

Levelling the appliance

Level the appliance by adjusting the feet and the back rollers underneath. Procedure:



- ▶ Remove the cover grille 1 (held in place by magnetic strips) and then adjust the height of the feet 2 using a 17 mm (3/4 inch) open-end wrench.
- ▶ Adjust the height of the back wheels by turning the front bolts 3 clockwise or anti-clockwise, where required.
- ▶ Replace the base / cover grille.
 - The appliance now stands even/level.



Fitting the door panels

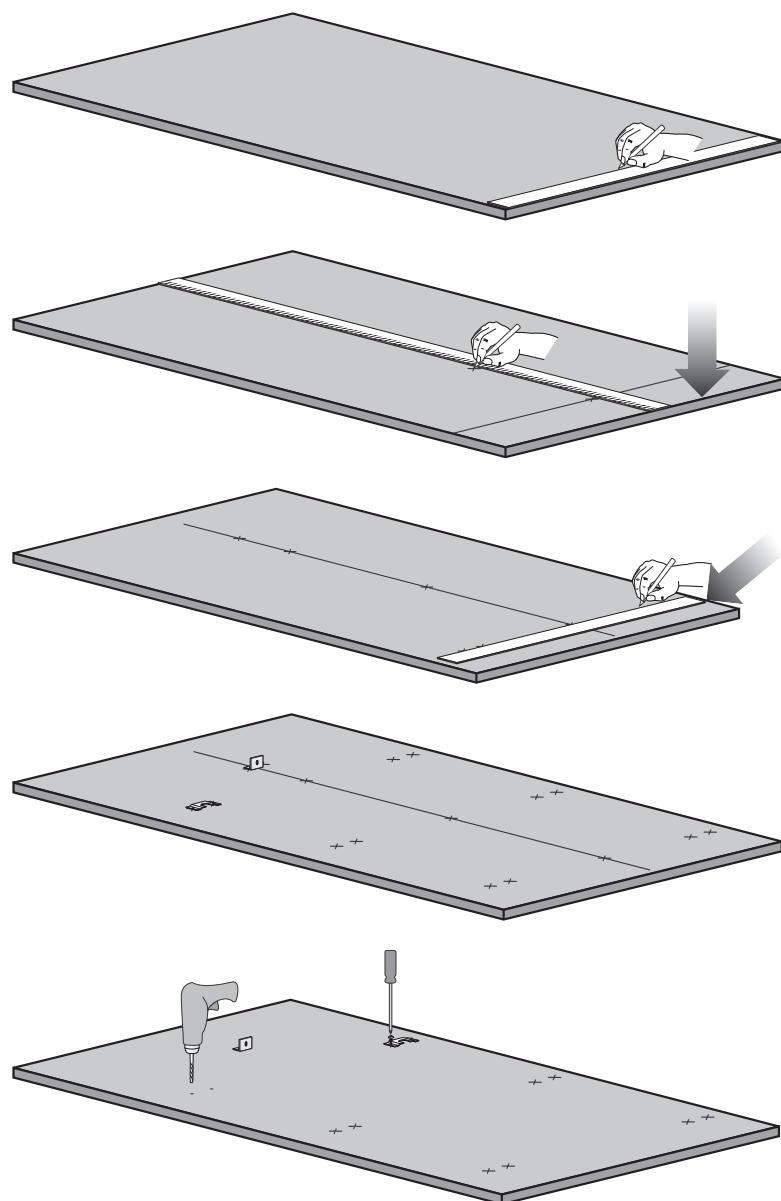
Preparing the door panels for the door and drawer

The dimensions of the door panel are shown in the table and in the diagrams below. However, the upper refrigerator door panel may be higher than the top edge of the door itself and the lower door panel may be lower than the bottom edge of the drawer in order that the appliance is aligned with the rest of the kitchen cabinets. The door panels are fitted by means of special brackets, which must be already mounted, and hooked on the adjusting screws, which must be similarly already mounted on the refrigerator doors. The door panel is fixed vertically by mounting brackets and can be adjusted where necessary. Brackets, mounting brackets and corresponding mounting screws are included in the scope of delivery of the appliance and are fastened to the door panel following the drilling diagrams below and with the aid of the drilling template supplied.

Procedure for fastening the brackets to the door panels.



The mounting brackets must be fitted before the handle.



- ▶ Draw a line vertically down the middle of the door panel, thus dividing it into two equal halves.
- ▶ Starting at the bottom of the door panel, mark the height at which the holes need to be drilled.
- ▶ Based on the details in the table for the relevant model, first mark the outer holes and then the inner holes.
- ▶ Make sure the holes are marked in the right place by placing the brackets and mounting brackets on the marked points.
- ▶ Carefully drill the holes, keeping in mind the thickness of the panel.
- ▶ Securely fix the brackets and mounting brackets.

Installation instructions

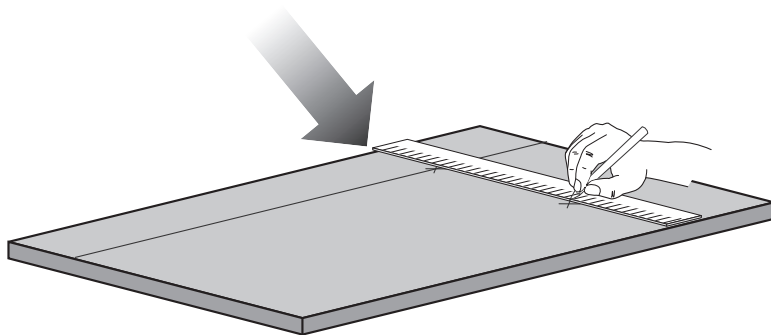
CombiCooler/Cooler/WineCooler/Freezer
V6000 Supreme, integrated



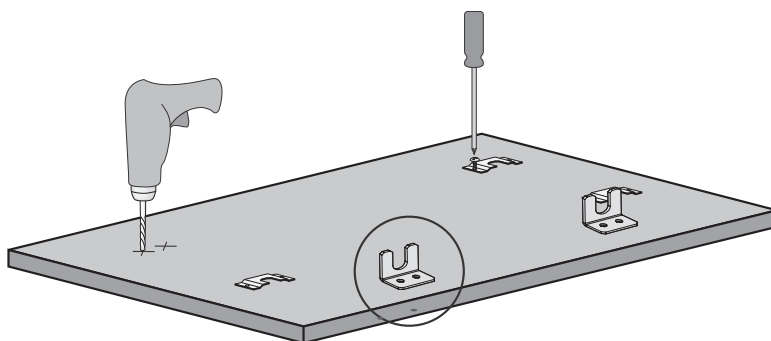
1091916-R01

07/05/2020

Procedure for fitting the door panel to the drawer in the CombiCooler V6000 Supreme (51096).



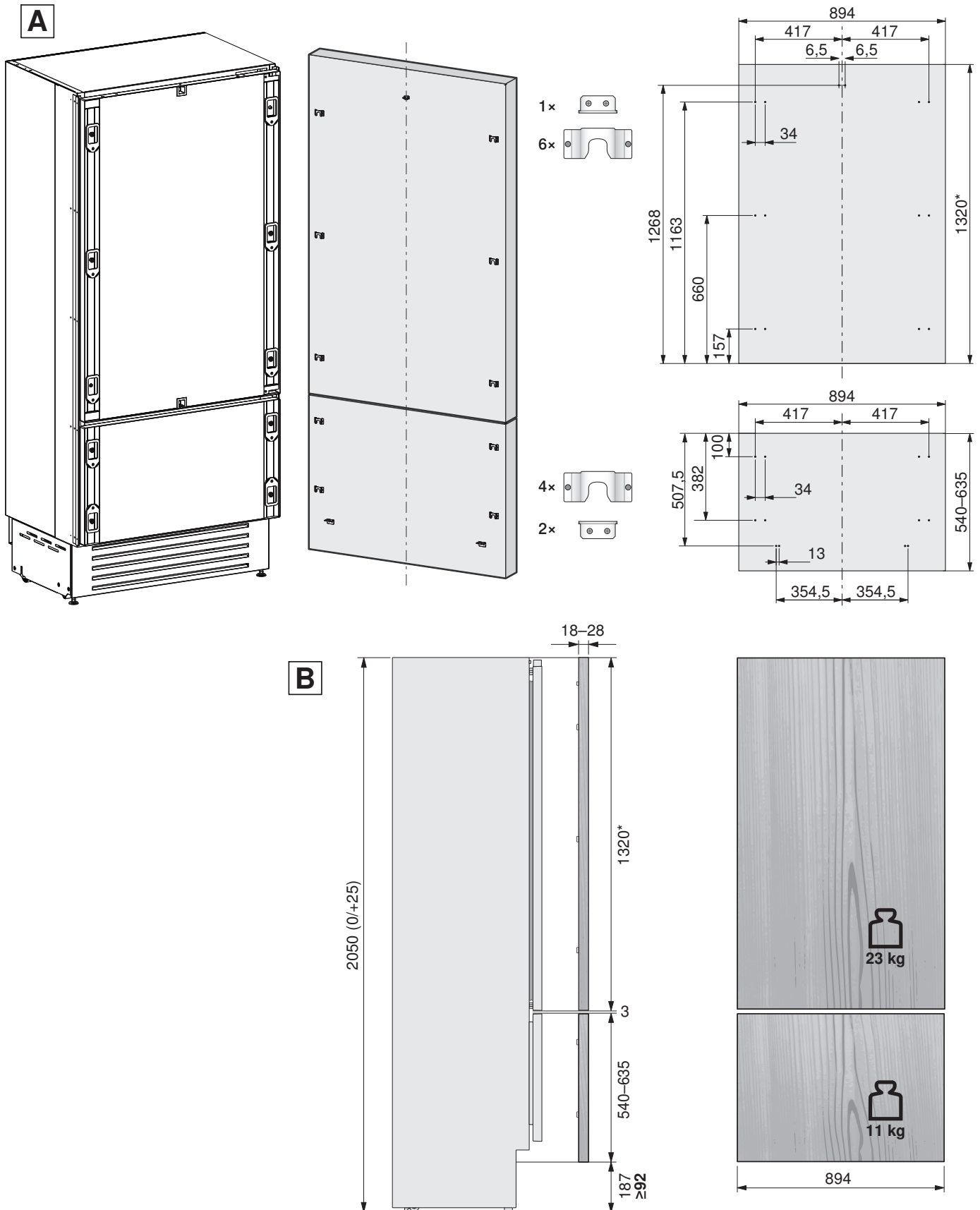
- ▶ The procedure for fitting the door panel to the drawer is the same as that for fitting the door panel to the door, except that **measurements are taken from the top of the door panel and not** from the bottom of the door panel as with the door.



- ▶ Ensure that the position of the brackets is the **mirror image** of the door.



Door panel for the CombiCooler V6000 Supreme (51096)



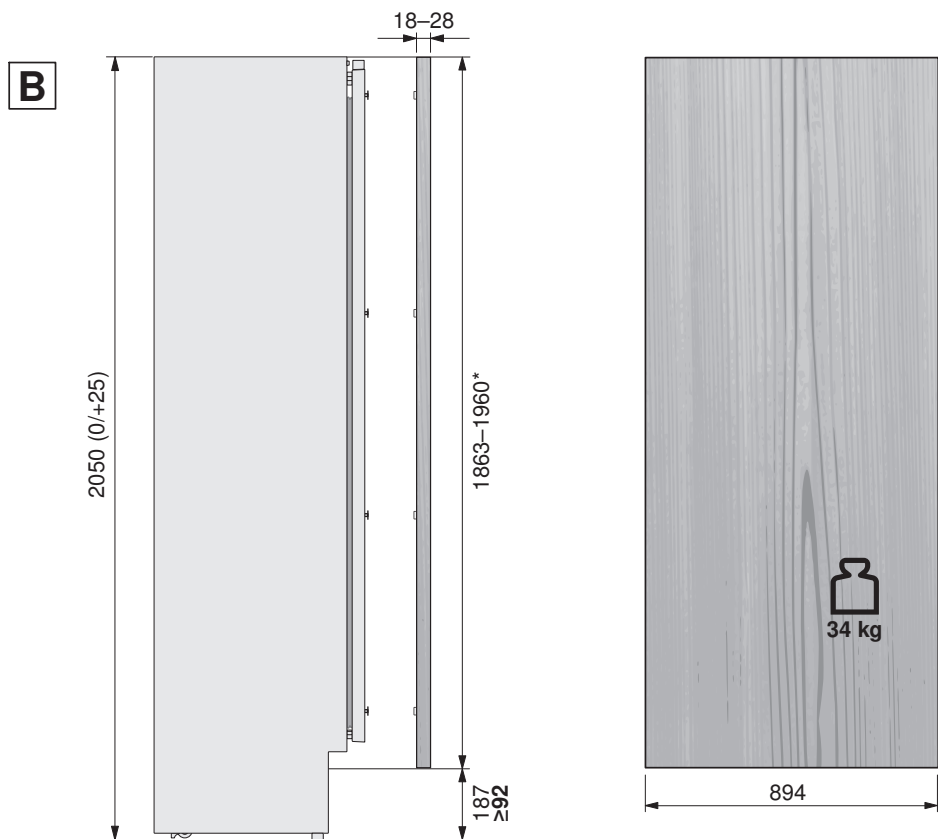
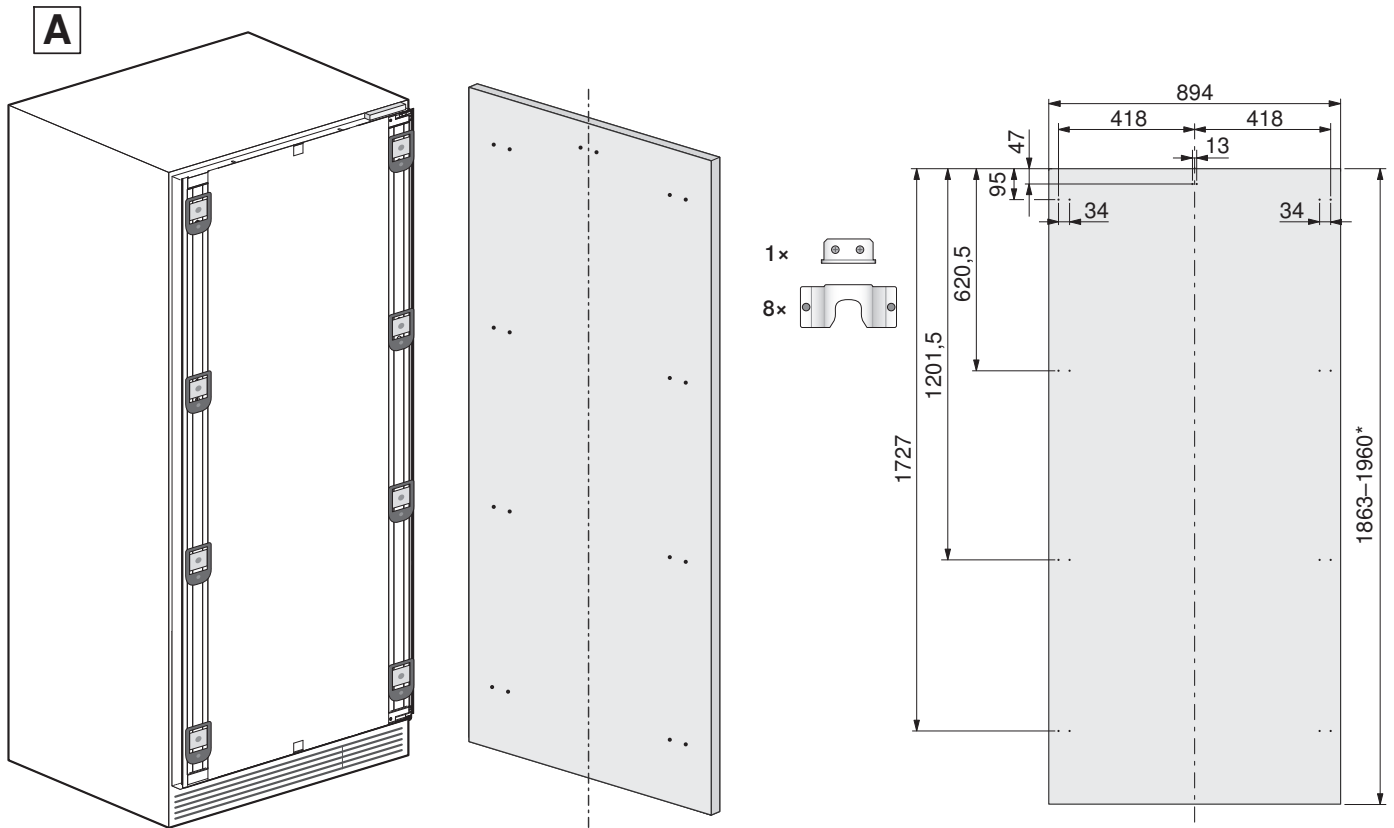
* = For niche height >2064, height of door panel must be adjusted.

A Drilling details

B Side view and max.weight



Door panel for the Cooler V6000 Supreme (51098)



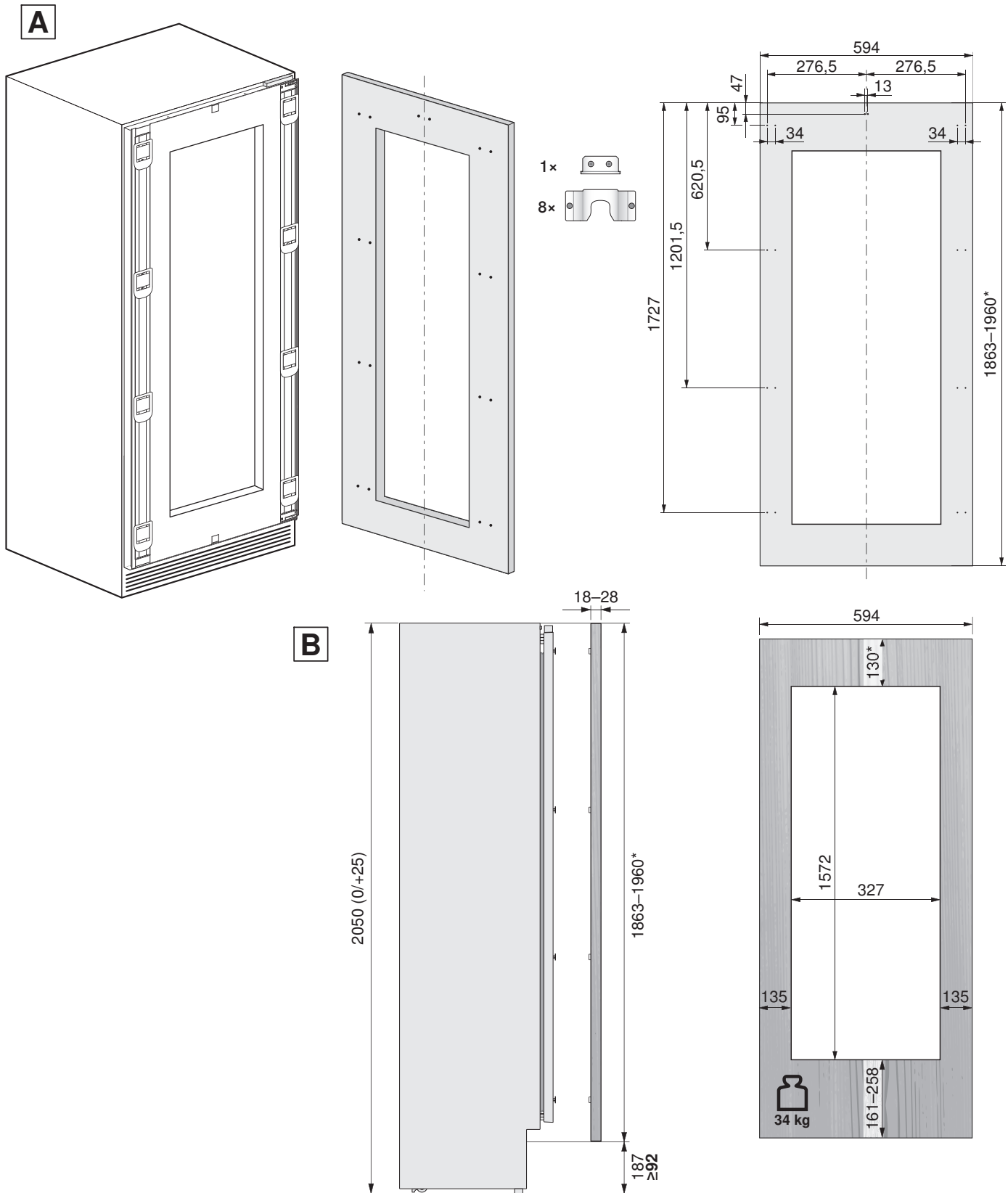
* = For niche height >2064, drill holes in and height of door panel must be adjusted.

A Drilling details

B Side view and max.weight



Door panel for the WineCooler V6000 Supreme (51097)



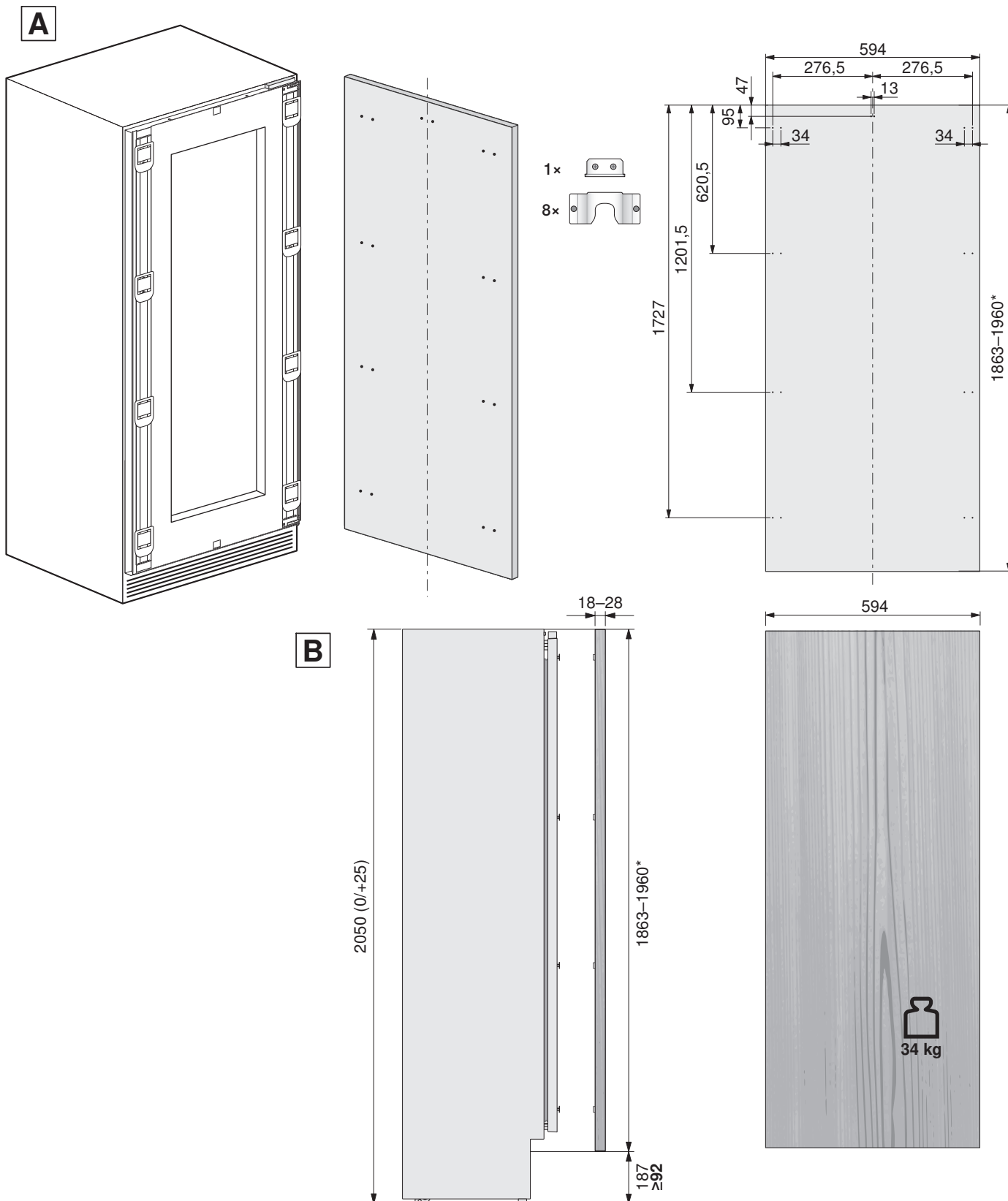
* = For niche height >2064, drill holes in and height of door panel must be adjusted.

A Drilling details

B Side view and max.weight



Door panel for the Freezer V6000 Supreme (51099)



* = For niche height >2064, drill holes in and height of door panel must be adjusted.

A Drilling details

B Side view and max.weight

Installation instructions

CombiCooler/Cooler/WineCooler/Freezer
V6000 Supreme, integrated



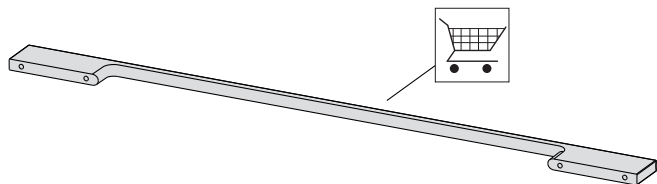
1091916-R01

07/05/2020

Fitting the handles



The handles must be fitted to the door panels for the door and drawer before these are fastened to the refrigerator.



The door handle is available separately for order as an accessory:


Art. no.	Designation	For appliance
1084381	Door handle 775 mm, long	All
1084417	Door handle 1060 mm, extra long	All

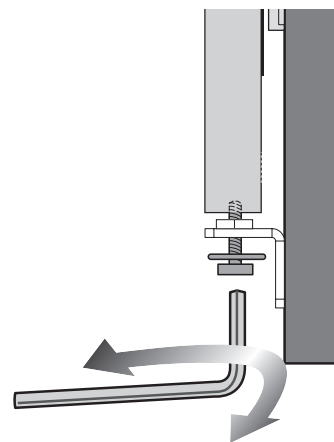
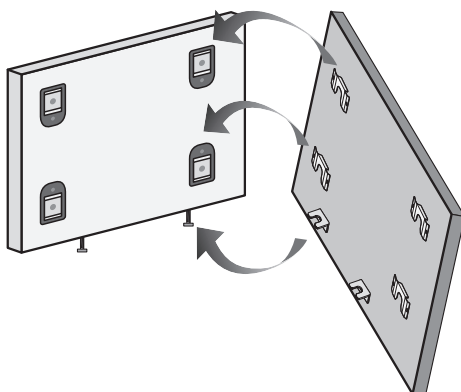
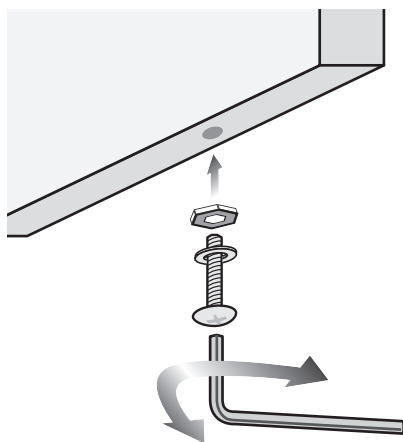
Set also includes:

Art. no.	Designation	For appliance
1087155	Chrome steel door panel set, right	CombiCooler V6000 Supreme (51096)
1090119	Chrome steel door panel set, left	CombiCooler V6000 Supreme (51096)
1087157	Chrome steel door panel set, right	Cooler V6000 Supreme (51098)
1090120	Chrome steel door panel set, left	Cooler V6000 Supreme (51098)
1087156	Chrome steel door panel set, right	WineCooler V6000 Supreme (51097)
1090121	Chrome steel door panel set, left	WineCooler V6000 Supreme (51097)
1090125	Chrome steel door panel set, right	Freezer V6000 Supreme (51099)
1090126	Chrome steel door panel set, left	Freezer V6000 Supreme (51099)



Fitting the door panel

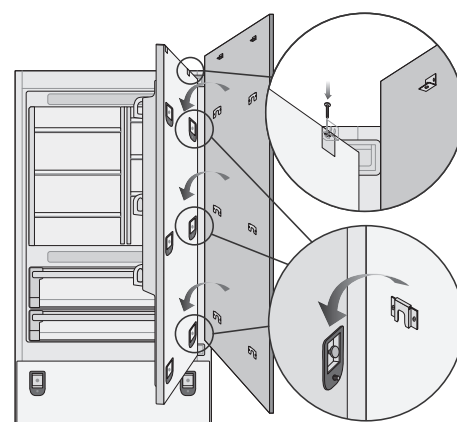
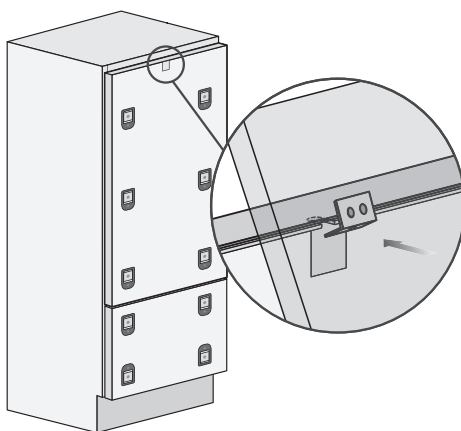
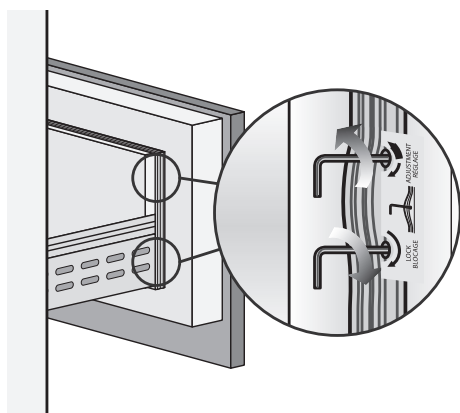
 Fasten the brackets and mounting brackets to the door panel and then begin with the installation of the drawer (if applicable to appliance).



▶ **1)** Partially tighten the screws with the nuts and washers. The nuts are located between the underside of the drawer and the bracket of the door panel.

▶ **2)** Hook the door panel for the drawer into the mounting devices, starting from the bottom.

▶ **3)** Align the door panel with the adjacent cabinets using the brackets and mounting brackets. By tightening or loosening the screw in the bracket, move the door panel up or down or, if the screws are loosened slightly, to the right or left to align it centrally with the rest of the kitchen cabinets.



▶ **4)** Depth alignment: From the inside of the drawer/door, lift up the seal. The top hole is for adjusting the door panel closer or further away and the bottom hole fixes the drawer/door.

▶ **5)** Hook the door panel into the mounting devices, starting from the top aligning brackets.

▶ **6)** The door panel can now be adjusted to align with the adjacent cabinets using the brackets and aligning brackets.

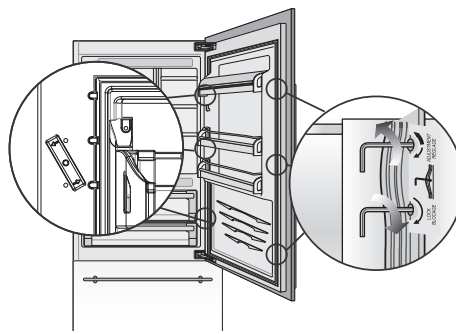
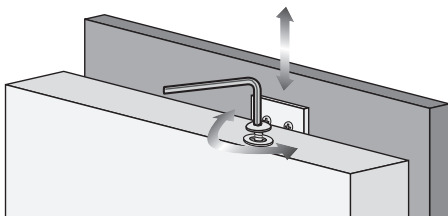
Installation instructions

CombiCooler/Cooler/WineCooler/Freezer
V6000 Supreme, integrated




1091916-R01

07/05/2020



► **7)** For vertical alignment, tighten or loosen the screw in the bracket. Move the door panel up/down accordingly.

► **8)** Depth alignment: From the inside of the drawer/door, lift up the seal. The top hole is for adjusting the door panel closer or further away and the bottom hole fixes the drawer/door.

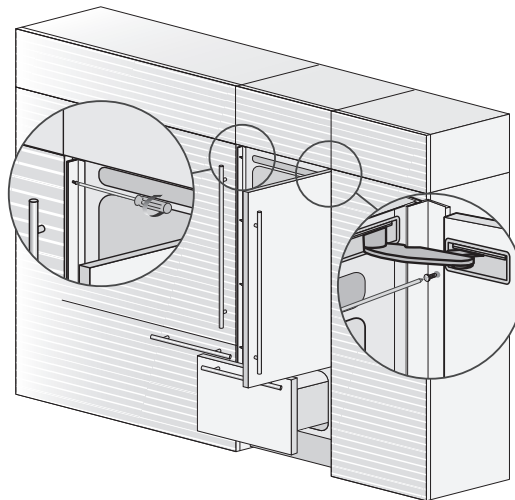
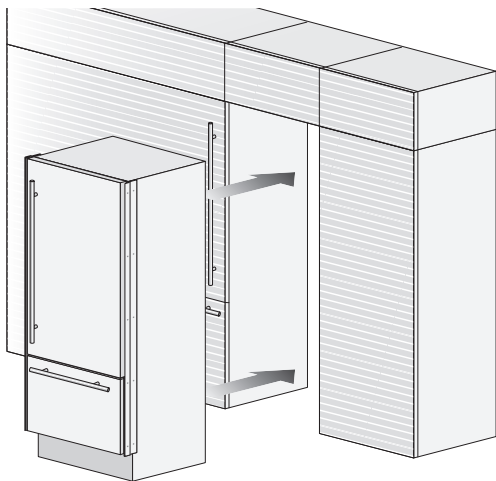
 Adjust the door panels and then check that the seal is positioned correctly. Ensure that the door/drawer closes properly so as to avoid appliance faults!



Installing in a niche

Installing a single appliance

Plastic profiles can be used to fill in the gaps between the appliance and the adjacent cabinets or other appliance positioned next to it.

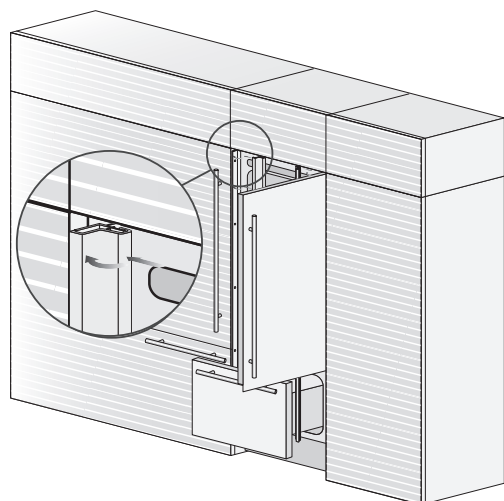


- ▶ **1)** Mount lateral plastic connecting bracket.
- ▶ Move the appliance into its final position.

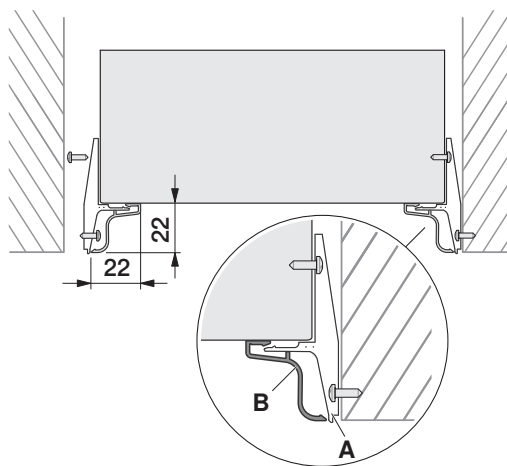
If installing the appliance in a cabinet recess, adequate ventilation space must be provided at the back of the appliance – duct of at least 40 mm widthwise and connected to the outside – to avoid overheating. The door panels for the door and drawer should be fitted **before** the appliance is pushed into its installation position.

Check that the adjustable feet and the back rollers are correctly aligned before installing the appliance.

- ▶ **2)** Fasten the appliance to the adjacent cabinets by screwing the lateral plastic connecting bracket onto the cabinets. This is easier to do if the door and drawer are left open.



- ▶ **3)** Push the cover strips sideways onto the brackets and then push in firmly until they engage with an audible “click”.



Side profile

① View from above:

- A = Lateral plastic connecting bracket
- B = Lateral plastic cover strip

Installation instructions

CombiCooler/Cooler/WineCooler/Freezer
V6000 Supreme, integrated



1091916-R01

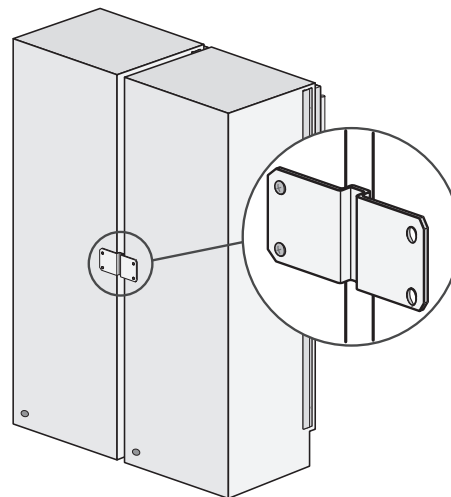
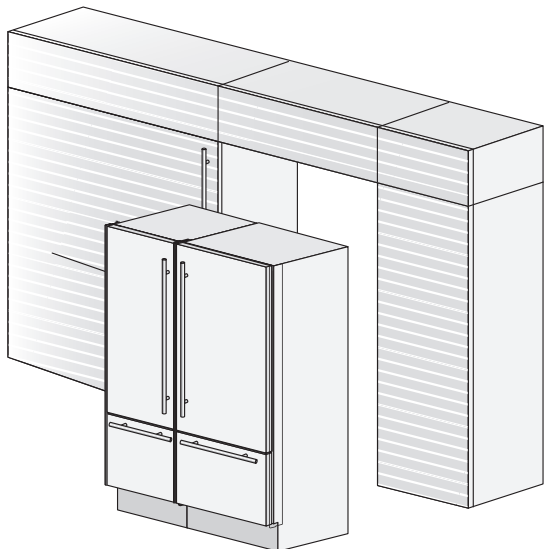
07/05/2020

Installing combination of appliances (side-by-side)

A mounting bracket is included in the scope of delivery with each appliance.

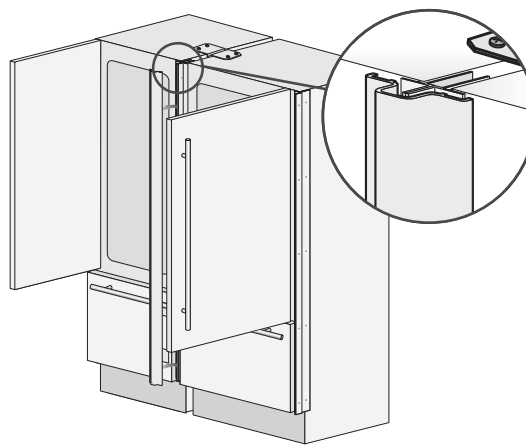
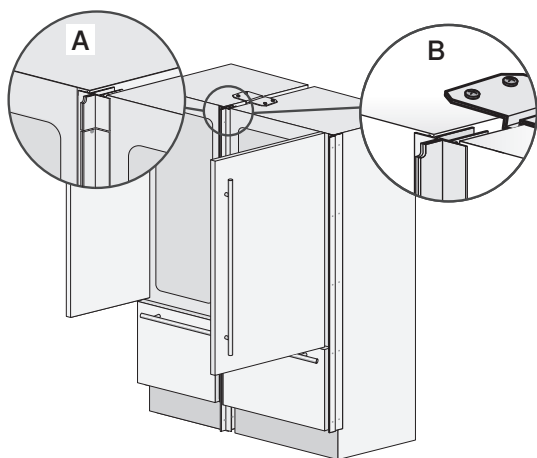


Plastic profiles can be used to fill in the gaps between the appliance and the adjacent cabinets or other appliance positioned next to it.



- ▶ 1) Mount lateral plastic connecting bracket.
- ▶ Position the appliances in front of the opening, leaving enough space to work around the back of the appliances.

- ▶ 2) Fasten the mounting brackets on the back of the appliances to connect them together. Fasten one side of the upper and the lower mounting brackets, first to one of the two appliances and then to the other.



- ▶ 3) Push the appliances together at the front and fasten by screwing the lateral plastic connecting brackets (A) together.
- ▶ Secure the appliances in position by fixing them at the top with mounting bracket (B).

- ▶ 4) Push the plastic cover strips or the intermediate plastic cover strips sideways onto the brackets and then push in firmly until a "click" is heard.

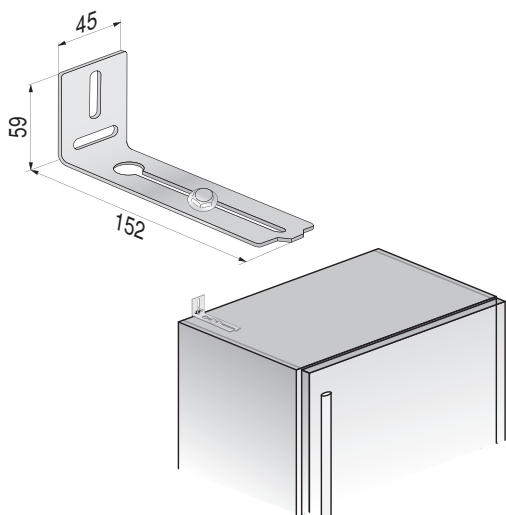
Installation instructions

CombiCooler/Cooler/WineCooler/Freezer
V6000 Supreme, integrated

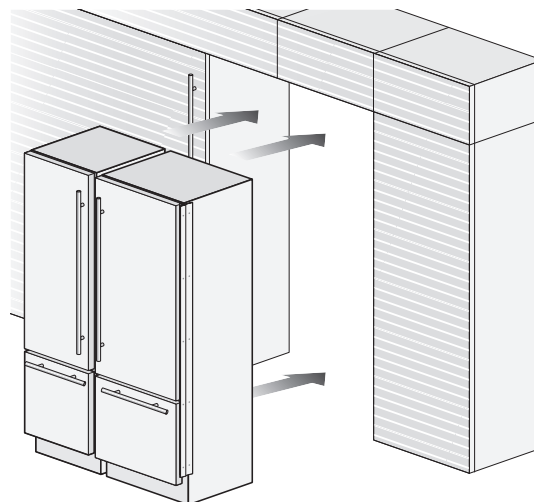


1091916-R01

07/05/2020



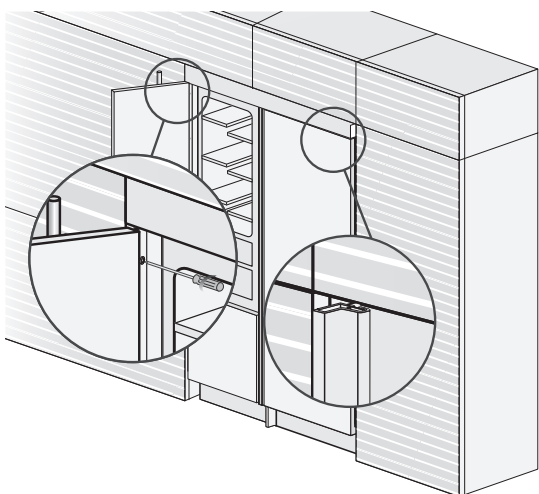
- ▶ **5)** One or two brackets can be mounted around the intermediate area to act as an anti-tipping device or to prevent the appliances moving when the doors are closed. Brackets do not have to be screwed to the back wall.



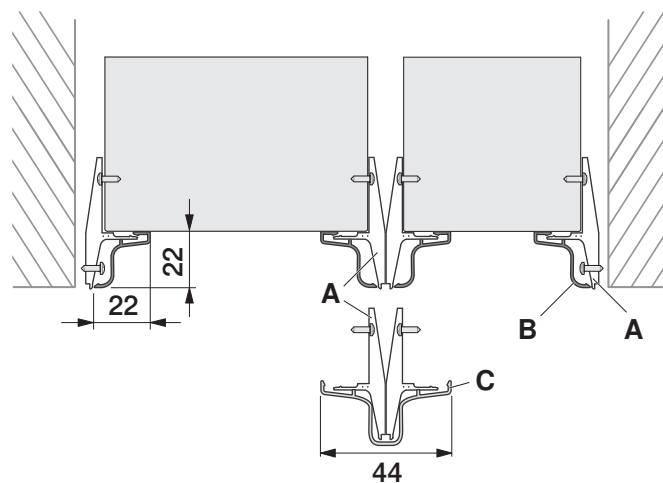
- ▶ **6)** Move the appliances into their final position.

If installing the appliance in a cabinet recess, adequate ventilation space must be provided at the back of the appliance – duct of at least 40 mm widthwise and connected to the outside – to avoid overheating. The door panels for the door and drawer should be fitted **before** the appliance is pushed into its installation position.

Check that the adjustable feet and the back rollers are correctly aligned before installing the appliance.



- ▶ **7)** Fasten each appliance to the adjacent cabinets by screwing the lateral plastic connecting bracket onto the cabinets. This is easier to do if the door and drawer are left open.
- ▶ Push the cover strips sideways onto the profiles and then push in firmly until they engage with an audible "click" (same as installing a single appliance).



Intermediate and side profile:

① View from above

- A = Lateral plastic connecting bracket
- B = Lateral plastic cover strip
- C = Intermediate plastic cover strip

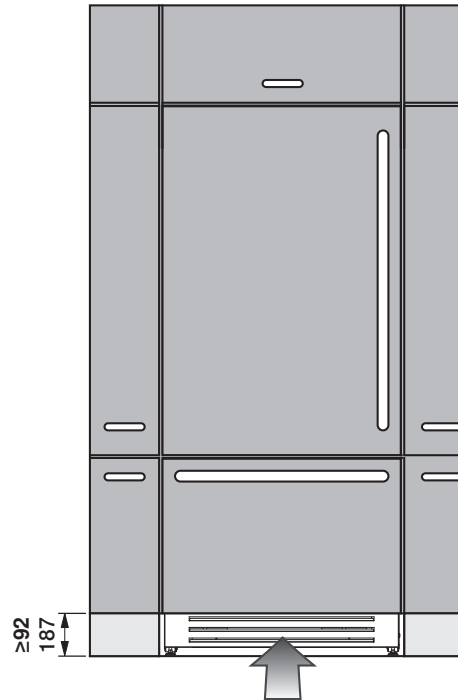
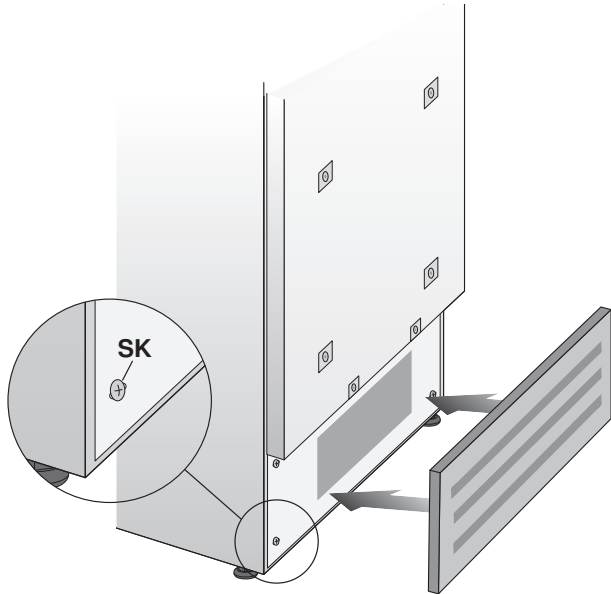
The intermediate plastic cover strip for side-by-side installation is available for order as an accessory.



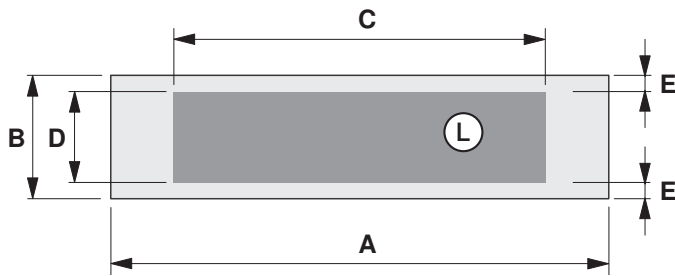
Completing the installation

Air circulation

A fan provides for the necessary ventilation around the condenser. In kitchens with plinths, ventilation openings must be fitted to allow for adequate ventilation. The ventilation slits must cover **at least 50%** of the area of the plinth. It is also advisable, in this case, to remove the ventilation grille supplied with the appliance in order to achieve adequate ventilation. The ventilation grille is held in place with magnetic strips and is easy to remove for regular cleaning (removing any build-up of dust). Do not block or cover the air inlets or outlets. Periodically dust and clean them.



Dimensions for the ventilation grille and position of the magnetic strips



Size system	90	60
A	894	594
B	215	
C	700	400
D	200	
E	about 10	
F	60	
G	15-30	
L	Air inlet (at least 50% open)	
M	Magnetic strips for holding ventilation grille in place	

Note: Maintain a distance of at least 10 mm between the plinth board and the front side of the base. Reason: Protruding screw heads (SK)

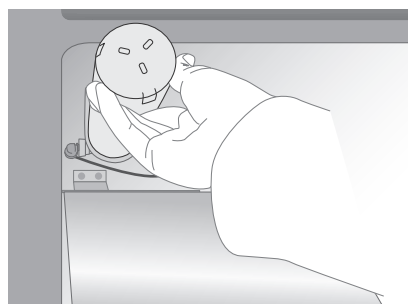
**Fitting the water filter (depending on model)**

If the appliance is equipped with an ice-maker, before switching it on make sure that the water filter cartridge is installed and the hydraulic circuit is filled with water. The water filter ensures optimal water quality for making ice cubes from up to 3,000 l of water and for up to 12 months. When the filter is almost exhausted a corresponding message appears in the display.

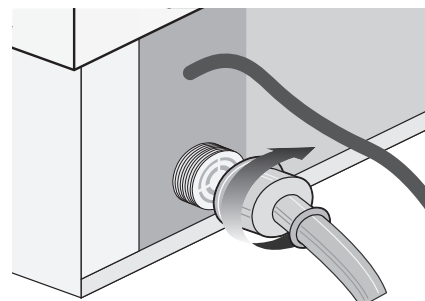
Procedure for the CombiCooler V6000 Supreme (51096)

The filter is located behind the glass panel in the top of the refrigerator compartment.

- ▶ Pull both catches at the front of the glass panel to release it.
- ▶ Carefully pull out the glass panel.
- ▶ Take the end cap off the cartridge, set the cartridge in the holder and turn clockwise one quarter turn until it clicks into place.
- ▶ Connect the water hose to the tap using the seals included in the scope of delivery.

**Procedure for the Freezer V6000 Supreme (51099)**

i Depending on the water quality, the use of a water filter is also recommended for the Freezer V6000 Supreme (51099); a water filter is not strictly necessary if the water quality is high.



The scope of delivery includes an externally mounted water filter set. The water filter manifold and water connections must be prepared before the freezer is finally installed; the water connection at the back of the appliance to the water filter set must be in place before installing the appliance. Install the water filter set in a position where it can be easily accessed (such as in or below an adjacent cabinet) in order to be able to replace the water filter cartridge every 12 months.

Checking the completed installation



- Make sure the feet have been installed and adjusted correctly.
- Make sure there are no leaks in the water connection system (depending on model) and that the stopcock is easily accessible.
- Make sure the electrical connection has been carried out correctly and that the plug with all-pole switch is easily accessible.
- Make sure the appliance is perfectly aligned with the adjacent cabinets.
- Make sure all adhesive tape and temporary protection – both inside and on the outside of the appliance – has been removed.
- Make sure the doors seal tightly and that the drawers and drawer bottoms slide smoothly.





Using for the first time



When the appliance door is opened, the message «**Standby**» normally appears on the control panel and all of the buttons on the control panel are off.

- ▶ To switch the appliance on: Hold the  button depressed for 3 seconds.
 - The text «**Initial test**» appears in the display for about 3 minutes. Then the compressors switch on and remain switched on until the factory-set default temperature is reached. This process can take several hours.
- ▶ If the appliance is equipped with an ice-maker (depending on model), before switching it on make sure that the water filter cartridge is installed and the hydraulic circuit is filled with water.
- ▶ Next, press the  button to switch the ice-maker on.

 When the appliance is switched on for the first time, if, instead of the message «**Standby**», the message that the refrigerator compartment or freezer compartment is too warm appears and/or acoustic signals are emitted, it means that the appliance has already started the cooling process.

In this case, touch the alarm  button to acknowledge the acoustic messages, close the door again and wait until the set temperatures are reached.

 Make sure the refrigerating appliance has reached a suitable temperature before loading food or wine (WineCooler) into it.