



Alfresco Canopy Rangehood User Manual

SMARH120B - 9351116006969
SMARH120SS - 9351116006976

Welcome to the Art of Outdoor Cooking

Congratulations on becoming the proud owner of a Smart Alfresco Rangehood. Thank you for choosing Smart, and welcome to the Smart family.

This instruction manual is designed to provide you with a comprehensive overview of the features your Smart Rangehood offers. It will guide you in making the most out of your new appliance.

KEEP THE DOCUMENTATION OF THESE PRODUCTS FOR FUTURE REFERENCE.

THIS APPLIANCE SHALL BE INSTALLED IN ACCORDANCE WITH THE REGULATIONS FORCE AND ONLY USED IN A WELL-VENTILATED SPACE. READ THE INSTRUCTIONS BEFORE INSTALLING OR USING THIS APPLIANCE



Scan to register your product online



Scan to request a service



Manufacturer is not responsible for any transcription errors or misprints contained in this handbook furthermore the manufacturer reserves the right to make any modification on the products which might be deemed necessary or useful this being in the user's interest without altering their basic operating or safety features

Contents

Warnings	4
Product Description	5
Ducting Information	6
Rangehood Placement	7
Installation	9
Operation	11
Maintenance	11
Wiring Diagram	12
Bracket Template	13
Warranty	14

Important Information

WARNINGS

PLEASE DO NOT INSTALL YOUR SMART RANGEHOOD IF IT IS DAMAGED. UPON RECEIVING YOUR NEW RANGEHOOD, CAREFULLY INSPECT IT FOR ANY SIGNS OF DAMAGE. IF YOU NOTICE ANY ISSUES, CONTACT OUR CUSTOMER SERVICE IMMEDIATELY FOR ASSISTANCE. ENSURING YOUR RANGEHOOD IS IN PERFECT CONDITION BEFORE INSTALLATION IS CRUCIAL FOR YOUR SAFETY AND OPTIMAL PERFORMANCE OF THE APPLIANCE.

IF THE SUPPLY CORD IS DAMAGED, IT MUST BE REPLACED BY THE MANUFACTURER OR ITS SERVICE AGENT OR A SIMILARLY QUALIFIED PERSON IN ORDER TO AVOID A HAZARD.

THIS APPLIANCE IS DESIGNED FOR DOMESTIC USE ONLY. THE MANUFACTURER SHALL NOT IN ANY WAY BE HELD RESPONSIBLE FOR WHATEVER INJURIES OR DAMAGES ARE CAUSED BY INCORRECT INSTALLATION OR BY UNSUITABLE, WRONG OR ABSURD USE.

THE AIR OUTLET OF THE APPLIANCE MUST NOT BE CONNECTED TO A FLUE WHICH IS USED FOR EXHAUSTING OTHER FUMES FROM APPLIANCES, SUCH AS A CENTRAL HEATING, BOILERS ETC..

FOR THE EXTERNAL EXHAUSTING OF THE FUMES, COMPLY WITH THE REGULATIONS IN FORCE.

THE MOTOR OF THE PERIPHERAL EXHAUSTING GROUP IS POWERED BY THE RANGEHOOD IN PLACE.

BEFORE CONNECTING THE RANGEHOOD TO THE MAINS SUPPLY, MAKE SURE THAT THE VOLTAGE INDICATED IN THE RATING PLATE CORRESPONDS TO THE MAINS VOLTAGE IN THE HOME.

BEFORE CARRYING OUT ANY SORT OF MAINTENANCE OR CLEANING OPERATION, MAKE SURE THAT THE APPLIANCE IS DISCONNECTED FROM THE ELECTRICAL MAINS. AN APPROPRIATE MAINTENANCE ENSURES A GOOD WORKING AND A GOOD PERFORMANCE IN THE LONG RUN.

ALL MODELS ARE BUILT IN CLASS I, THEREFORE THEY MUST BE EARTHED.

RANGE HOODS AND OTHER COOKING FUME EXTRACTORS MAY ADVERSELY AFFECT THE SAFE OPERATION OF APPLIANCES BURNING GAS OR OTHER FUELS (INCLUDING THOSE IN OTHER ROOMS) DUE TO BACK FLOW OF COMBUSTION GASES. THESE GASES CAN POTENTIALLY RESULT IN CARBON MONOXIDE POISONING. AFTER INSTALLATION OF A RANGE HOOD OR OTHER COOKING FUME EXTRACTOR, THE OPERATION OF FLUED GAS APPLIANCES SHOULD BE TESTED BY A COMPETENT PERSON TO ENSURE THAT BACK FLOW OF COMBUSTION GASES DOES NOT OCCUR.

IF A STATIONARY APPLIANCE IS NOT FITTED WITH A SUPPLY CORD AND A PLUG, OR WITH OTHER MEANS OF DISCONNECTION FROM THE SUPPLY MAINS, IT IS NECESSARY TO PREDICT A CONTACT SEPARATION IN ALL POLES THAT PROVIDE FULL DISCONNECTION UNDER OVER-VOLTAGE CATEGORY III CONDITIONS.

MEANS FOR DISCONNECTION MUST BE IN-GOVERNANCE WITH LOCAL, STATE AND NATIONAL BUILDING REGULATIONS FIXED WIRING IN ACCORDANCE WITH THE WIRING RULES.

THIS APPLIANCE CAN BE USED BY CHILDREN AGED FROM 8 YEARS AND ABOVE AND PERSONS WITH REDUCED PHYSICAL, SENSORY OR MENTAL CAPABILITIES OR LACK OF EXPERIENCE AND KNOWLEDGE IF THEY HAVE BEEN GIVEN SUPERVISION OR INSTRUCTION CONCERNING USE OF THE APPLIANCE IN A SAFE WAY AND UNDER STAND THE HAZARDS INVOLVED.

CLEANING AND USER MAINTENANCE SHALL NOT BE MADE BY CHILDREN WITHOUT SUPERVISION. CHILDREN SHALL NOT PLAY WITH THE APPLIANCE. CLEANING AND USER MAINTENANCE SHALL NOT BE MADE BY CHILDREN WITHOUT SUPERVISION.

THE ROOM MUST HAVE ADEQUATE VENTILATION WHEN USING WITH OTHER APPLIANCES THAT USE GAS OR OTHER FUELS.

THERE IS THE POSSIBILITY OF FIRE IF THE CLEANING OPERATIONS ARE NOT CARRIED OUT AS INDICATED IN THE INSTRUCTIONS.

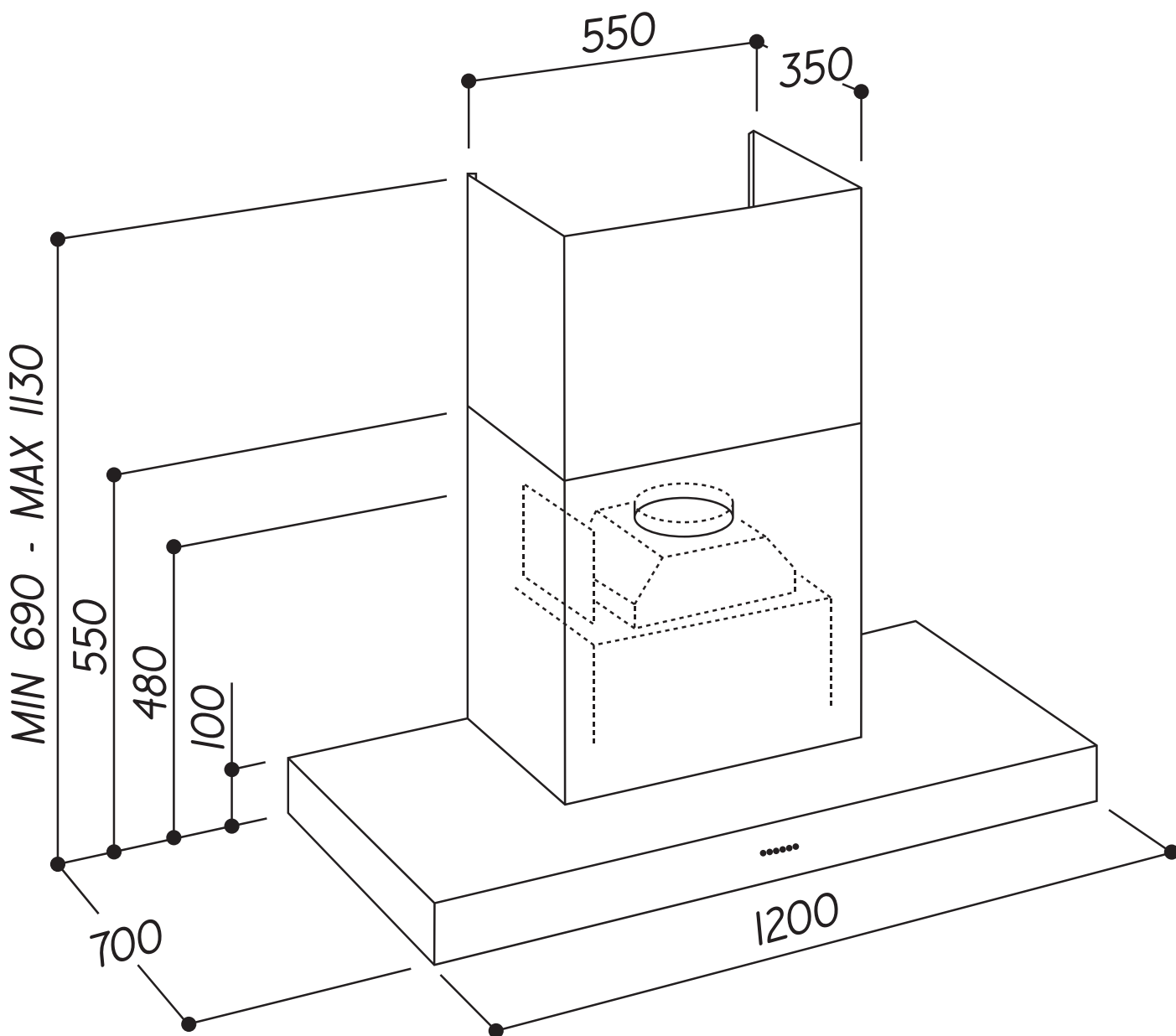
DO NOT PREPARE FOOD OVER OPEN FLAMES AS SUCKED FLAMES ARE A RISK OF DAMAGE TO THE APPLIANCE.

Product Description

Congratulations on purchasing a Smart product. We are sure that this modern functional and easy to use appliance, built with the finest materials and components will satisfy all your needs.

Please take time to read this instruction manual to ensure your safety and for you to achieve quality results.

The appliance must be installed in accordance with the requirements of this manual and must obeyed by local and state laws. The manufacturer declines all responsibility for improper installation.



WARNING



The appliance must be installed and connected to the power supply only by a qualified technician.

Ducting Information

We recommend obtaining warranty cover for non-Smart branded accessories, including ducting.

The Smart warranty covers only Smart products. If you choose to install a non-Smart branded accessory, Smart will only warrant the rangehood and motor. If installation is found to be the cause of failure or issue then charges will apply for service and parts.

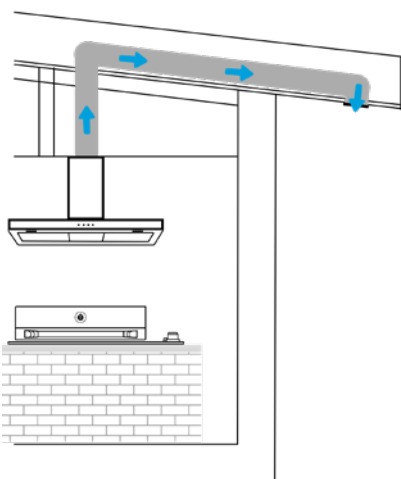
When choosing your ducting, please note that flexible ducting is not permitted under any circumstances. Flexible ducting has been found to increase noise levels, increase vibration and reduce airflow. Using semi-rigid or solid ducting should be used in lieu. We strongly recommend Sirius [EasyKits](#) and [Ducting Components](#) who have a range available to suit any application.



- Use ducting within the min/max specifications
- Use ducting of the shortest possible length
- Limit the number of ducting bends
- Only use materials approved by standards and regulations
- Do not make any changes in ducting diameter (recommended constant diameter: \varnothing 150 mm / \varnothing 200 mm or equal surface area).

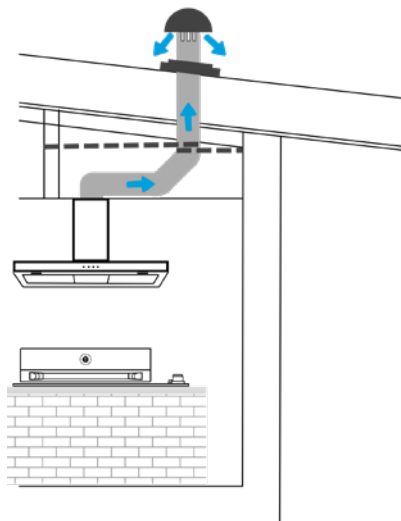
Outdoor Rangehood Ducting Solutions

Eave Venting



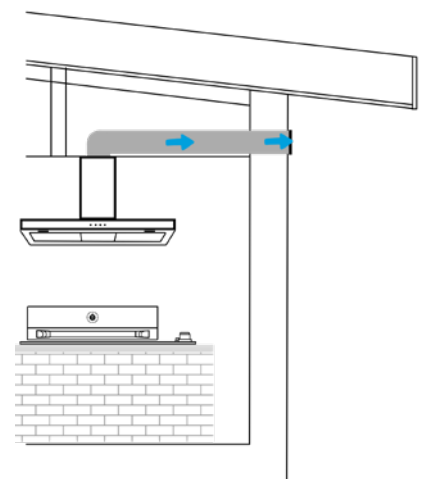
Ducting up through the roof, to the eave and out to the atmosphere

Roof Venting



Ducting up through the roof and out to the atmosphere

Wall Venting



Ducting up to the roof, to the wall and out to the atmosphere

Rangehood Placement

Please read through this manual before operating your Smart Rangehood



PLEASE NOTE: THIS APPLIANCE MUST ONLY BE INSTALLED AND SERVICED BY QUALIFIED AND AUTHORISED PERSONNEL. IMPROPER INSTALLATION, MODIFICATION, ADJUSTMENT OR MAINTENANCE CAN CAUSE PERSONAL INJURY OR PROPERTY DAMAGE. CONTACT YOUR NEAREST SERVICE CENTRE FOR FURTHER INFORMATION.

The extraction fan filter must not be closer than 1200mm or further than 1600mm from the cooking surface of the BBQ. (Fig.1)

If the rangehood is positioned above the max height recommended, warranty may be compromised as performance of the rangehood will be affected. Measurement is taken from the top of the grills to the underside of the hood.

The air being drawn can't be conveyed through or into a duct used to let out fumes from appliances fed by energy other than electric power (eg. centralised heating, radiators, water heaters, etc.).

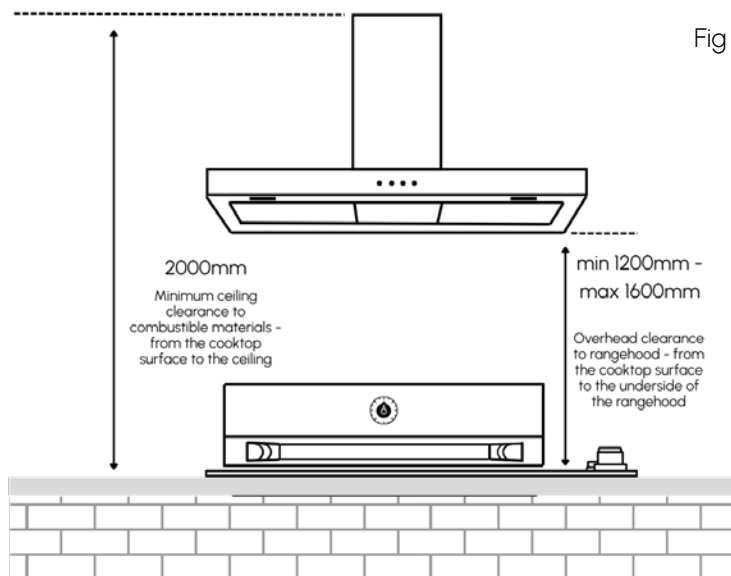


Fig 1


Attention: remove any possible PVC film from the stainless steel, including the filters.

To externally vent, please comply with the pertaining rules given by competent authorities.

Provide the room with an adequate ventilation a rangehood and appliances fed by energy other than electric power (gas, oil, or coal stoves, etc.) are used simultaneously. The rangehood, when evacuating the air, could generate a negative pressure in the room which can't exceed the limit of 0.04 mbar, in order to avoid the suck of exhausts deriving from the heat source.

Therefore the room should be provided with air intakes to allow a constant flow of fresh air.

If the rating label in the rangehood shows the symbol  the appliance is built in Class II° and it does not need any earth connection.

If the rating label in the rangehood does not show the symbol  the appliance is built in Class I° and it does need the earth connection.

When performing the electrical connections on the appliance, please make sure that the current-tap is provided with earth connection and that voltage values correspond to those indicated on the label placed inside the appliance itself.

Before carrying out any cleaning or maintaining operations, the appliance needs to be switched off. If the appliance is not provided with a non-separable flexible cable and plug, or with another device ensuring omnipolar disconnections from the grid, with an opening distance between the contacts of at least 3mm, then such disconnecting devices must be supplied within the fixed installation. If the fixed appliance is endowed with a supply cord and a plug, the appliance has to be put in a place where the plug can be reached easily.

The use of materials which can burst into flames should be avoided in close proximity of the appliance. When frying, please pay particular attention to fire risk due to oil grease. Being highly flammable, fried oil is especially dangerous. Do not use uncovered electric grills. In order to avoid possible fire risk, all instructions for grease-filter cleaning and for removing eventual grease deposits should be strictly followed.

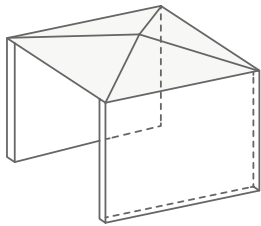
Covered or Enclosed Ventilation

It's important to understand the requirements when creating your enclosed or covered outdoor entertaining area. A covered alfresco area is considered 'outdoors' when it is an open air area with natural ventilation.

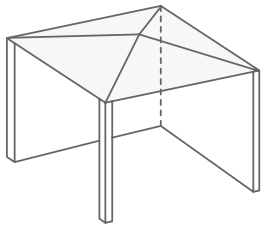
If the covered outdoor area meets the below minimum requirements, it is considered to have adequate natural ventilation for a domestic BBQ.

If the covered outdoor area does not meet the below minimum requirements, it is considered an enclosed outdoor area and requires the installation of a rangehood that provides a minimum of 2000m³/h airflow.

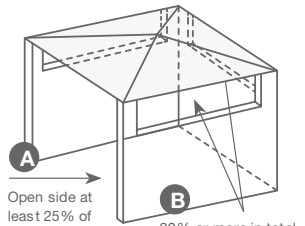
COMPLIANT EXAMPLES



✓ Not more than 2 parallel walls with a covered roof



✓ Not more than 2 walls at right angles with a covered roof



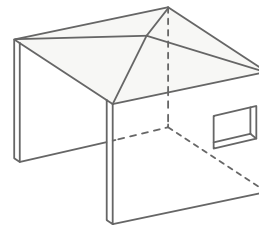
Open side at least 25% of total wall perimeter (A)
 30% or more in total of the remaining wall area must be open and unrestricted (B)

Not more than 3 walls with the open side being at least 25% of the total perimeter (A);

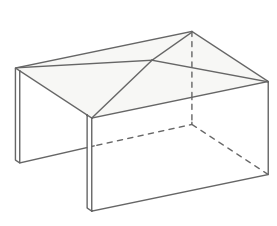
OR

The remaining 3 walls having an area of 30% or more of unrestricted openings (B)

NON-COMPLIANT EXAMPLES

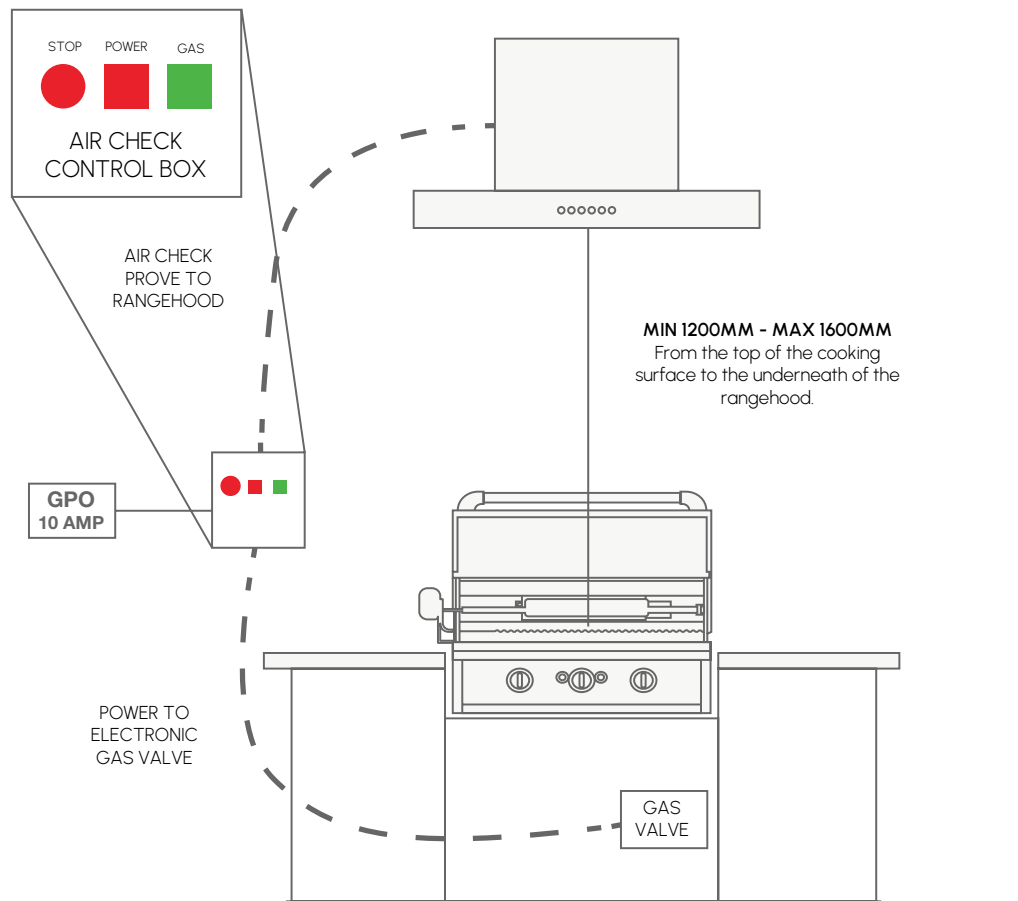


✗ Remaining 3 walls do not have 30% or more of unrestricted opening



✗ Open side is less than 25% of the total perimeter

Optional Interlock System



An added safety feature that will give you peace of mind as it links the rangehood with the gas BBQ so you can't light the BBQ until the extraction reaches optimum airflow.

Installation



Before installing the appliance, make sure that none of the parts are damaged in any way. In case of damaged parts, contact your retailer and do not proceed with installation. Read all of the following instructions with care before installing the appliance.

Before installing the appliance - in order not to damage the appliance itself - the metal grease filter should be removed. These filters could be removed by pushing the handles towards the back side of the rangehood and pulling it downwards to unfasten it from its slot. See Fig 2.

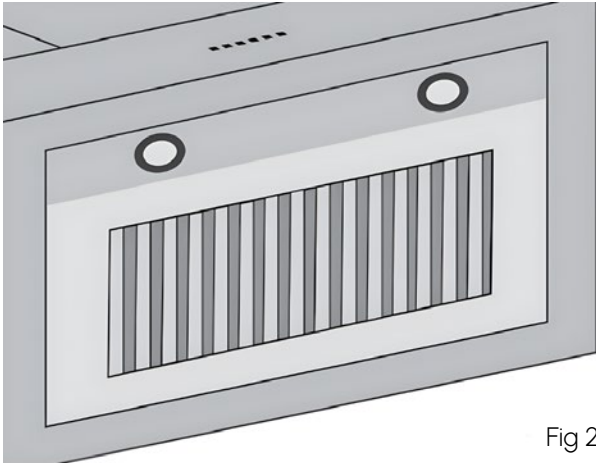


Fig 2

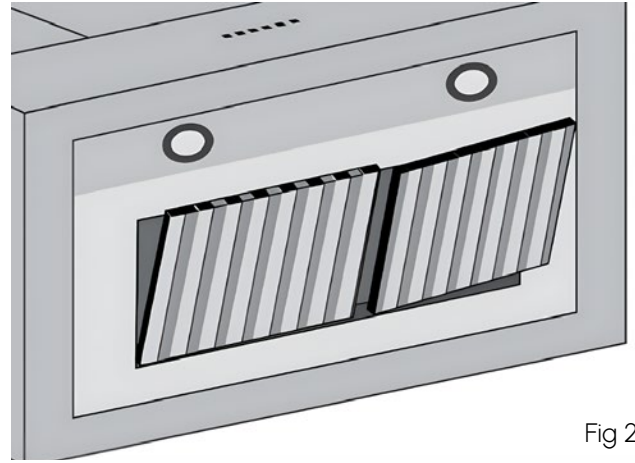


Fig 2a



WARNING

The rangehood is heavy, two people are required for installation.



Before connecting any ducting to the motor, make sure the non-return valves - which are on the air outlet of the motor - can swing open.

To install the appliance please follow these instructions:

1. Prepare the power supply - 240 volts.
2. Prepare a 210mm hole for the exhaust.

Maximum length of ducting should not exceed 7 metres. Do not use screws to fix the ducting to the rangehoods as they will prevent the movement of non-return valves. Limit the number of elbows in the ducting, since each elbow reduces the duct efficiency by 1 metre. (i.e. if you use two 90° elbows, the length of ducting must not exceed 5 metres). Avoid abrupt direction changes. Use 200mm constant diameter ducting for the whole length for this twin motor rangehood.

3. Using the supplied bracket template (pg. 8), mark the location of the holes that need to be drilled in the wall, being careful to make sure that the wall behind is clear of electrical wiring, plumbing, pipes etc.

Note: Be sure to set the height of the rangehood between the minimum and maximum height requirements as per diagram Fig. 1. This can be done by measuring from the lowest point of the rangehood to the horizontal support bar.

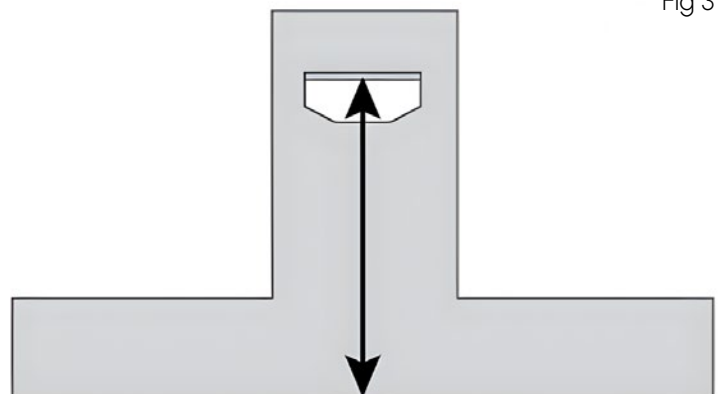


Fig 3

4. Using an 8mm drill bit, pre-drill the holes that will hold the bracket to the wall. (Using bracket template on page 13).
5. Insert the supplied plastic dowels to the pre-drilled holes and fix bracket to the wall with the supplied screws. (Note: Please use a spirit level to make sure the bracket is perfectly level.)
6. Once the bracket is secure, using two people, lift the hood and drop the horizontal support bar onto the fixed bracket (Fig. 4).

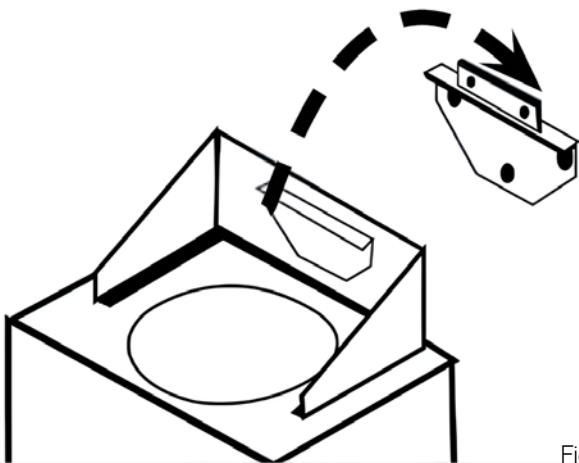


Fig 4

Note: There are additional holes on the inside of the hood to secure the rangehood flush to the wall and completely stable. Hole locations will vary per model.

7. Connect your ducting to the outlet collar on the rangehood and secure in place with a ring clamp if you are using semi rigid ducting. If you are using solid/rigid ducting, an external duct connector is required.

Note: do not fix the ducting in place with screws as they will prevent the movement of the nonreturn valves. (See page 6 for ducting options). Complete all of the duct work to the atmosphere before fixing the flue covers in place to ensure the ducting has not come free.

8. Insert the upper flue cover into the lower flue cover and mount into the channel on the top of the rangehood. There are two spring loaded clips that need to be on the inside of the lower flue cover to secure in place.

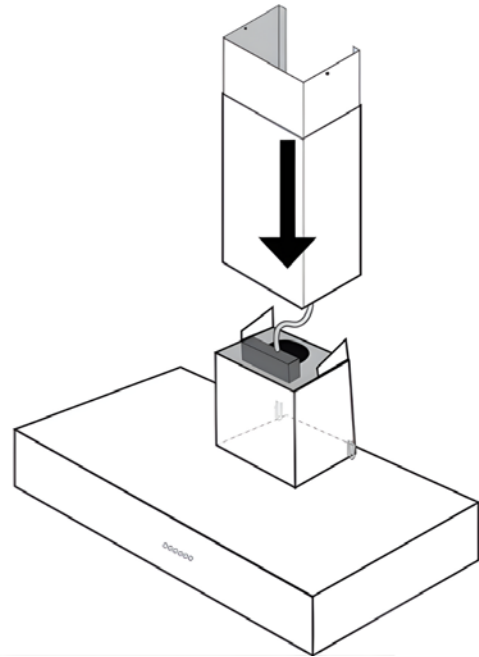


Fig 5

9. Telescope the upper flue cover to the ceiling and mark with a pencil the outer line of the cover, this will give you the exact location of where the top fixing bracket needs to be fitted to the ceiling.
10. Fix the top fixing bracket into place using the supplied 30mm screws

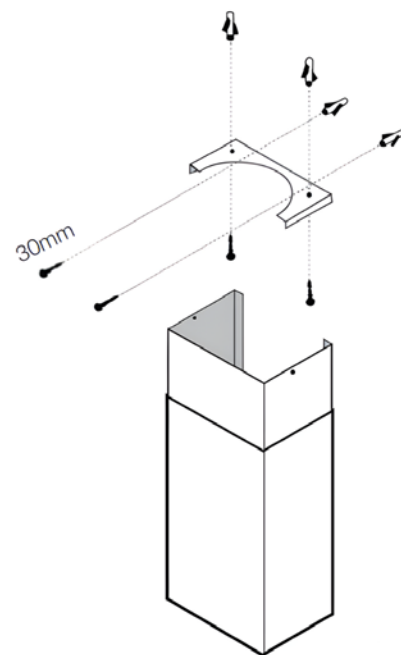


Fig 6

- Telescope the upper flue cover over the bracket and secure in place with the very small 10mm supplied screws

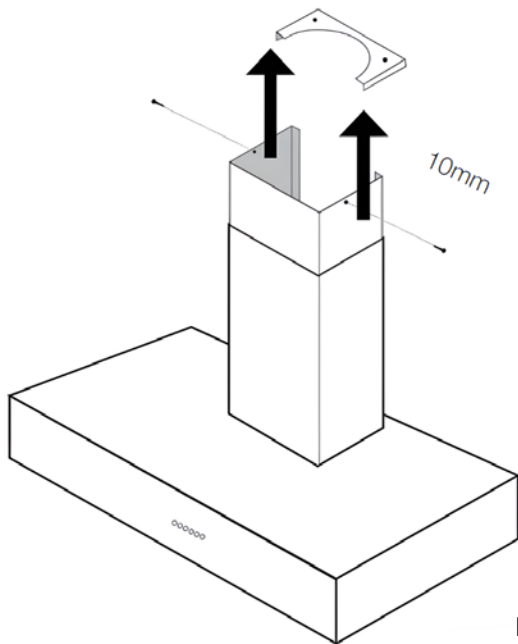



Fig 7



Please do not fix shroud permanently. Must be removable for servicing purposes

- Accurate maintenance guarantees good functioning and long-lasting performance.
- Particular care is due to the grease filters. They can be removed by pushing its handle toward the back side of the rangehood and pulling the filter downwards so to unfasten it from its slot (Fig.3). To insert the filter just perform the opposite operation.
- After 30 hours of operation, the push button  control panel will flash, signaling the filters are due for cleaning. Press the timer button to reset. The grease filter needs cleaning by regular handwashing or in dishwashers every two months at least, depending on its use.
- Filters may require cleaning sooner if frequent heavy cooking is done.
- To clean the appliance itself, water and detergent are recommended, while abrasive products should be avoided. For steel appliances specialised detergents are recommended (please follow the instructions indicated on the product itself to obtain the desired results).

Operation



Light switch on/off



Fan speed 1



Fan speed 2



Fan speed 3

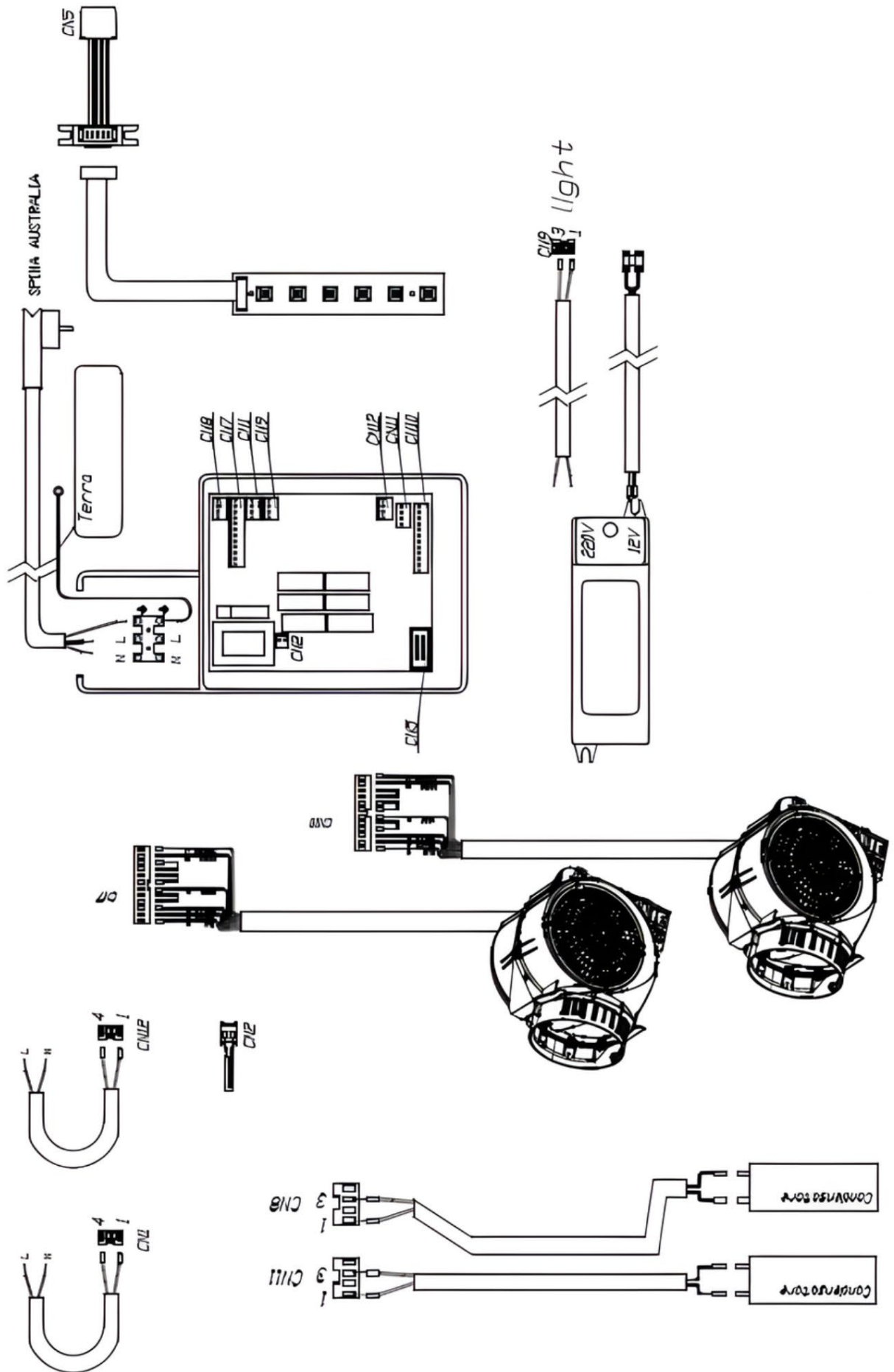


Fan speed 4 - Booster

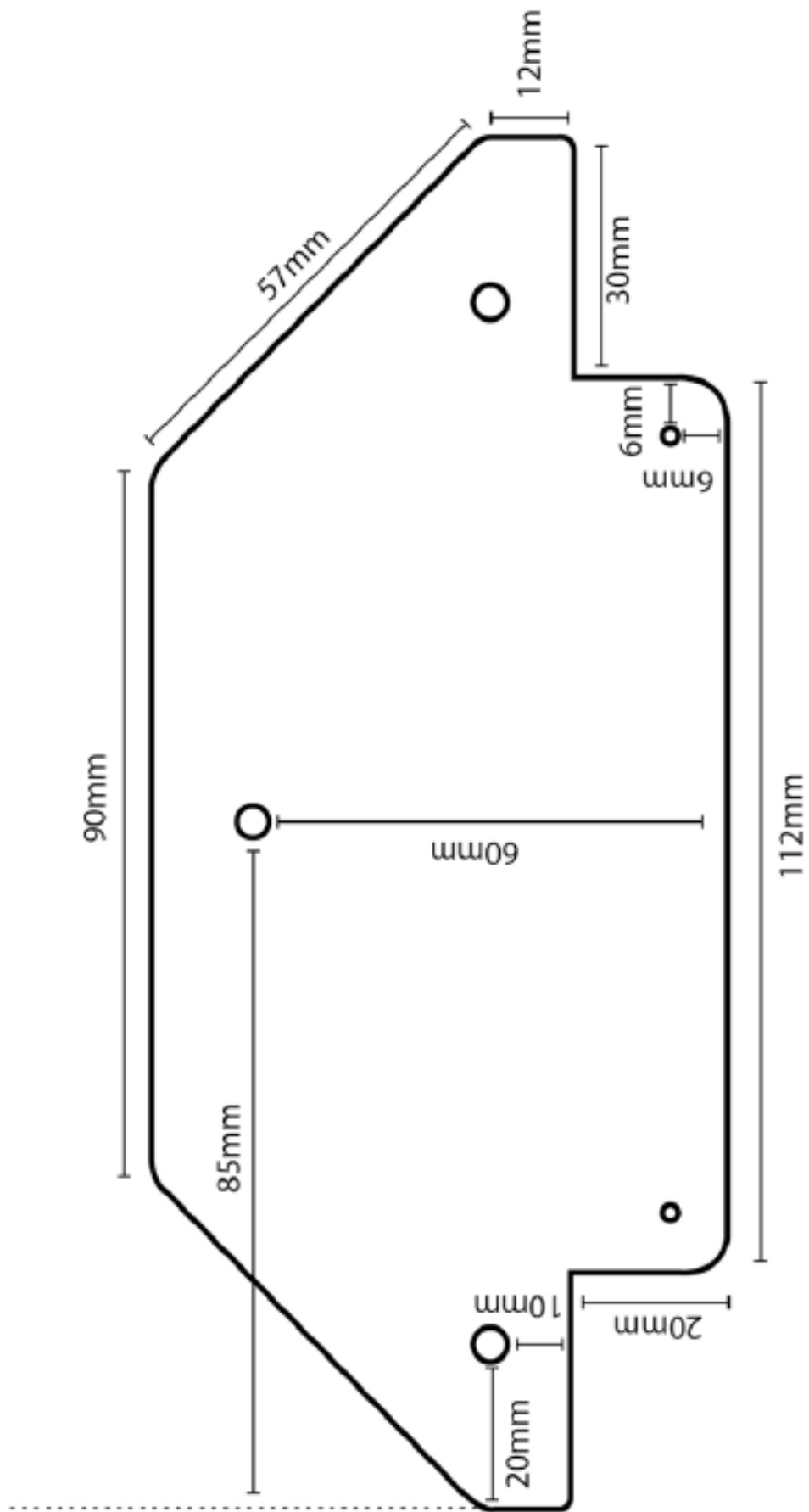


10 minute shut-off timer

Wiring Diagram



Bracket Template



Warranty

Register now to qualify.

Terms & Conditions

These Terms and Conditions apply only to Smart products distributed in Australia and New Zealand by Arisit Pty Limited.

1. This warranty applies for a period of 3 years on all products.

All off-board motors are covered under warranty for a 10 year period for manufacturing defects only.

2. Warranty applies for parts and labour in Australia and New Zealand, commencing from date of purchase.

3. This warranty applies only to the original purchaser/hire purchaser of this appliance and cannot be assigned or transferred. Failure to produce documentary proof of the date of original acquisition by the original purchaser will result in a charge being levied for work done, labour and parts supplied.

4. This warranty does not apply to:

a) Consumable items such as filters, fuses, and light bulbs.

b) Damage to body work, paint work, glass, and plastic items (such as, but not limited to windows, covers, baskets, trays, worktops, door handles, control and kick panels.)

c) Corrosion & rust damage. A fee may be charged following warranty claims where no fault is found with the appliance

5. This warranty will not apply where:

a) The fault is caused by accident, misuse, an infestation of insect and or vermin, fire, flood or the use of products not approved by Arisit Pty Limited.

b) There has been a failure to comply with the manufacturer's operating and installation instructions.

c) Service, modification or repair has been carried out by anybody other than an approved Arisit Service Technician.

d) The appliance has been used/ installed anywhere other than a private dwelling, or where it has been used other than for domestic use.

e) The appliance is subject to a rental agreement.

6. Any defective part that has been replaced becomes the property of Arisit Pty. Limited.

7. This warranty applies only to Smart appliances purchased and installed in Australia and New Zealand.

8. Loss of use of the appliance or consequential loss of any nature is not covered.

9. A charge may be levied at the discretion of Arisit Pty Limited if the call is deemed unnecessary or if the cause of failure is traced to external sourced such as, but not limited to: blown fused, power failure, faulty installation, customer misuse or negligence, etc

10. Where the appliance, the subject of a warranty claim or repair, is used or installed more than TWENTY (20) kilometres from the nearest Arisit Service Division or Authorised Service Agent, the cost of delivery to the nearest Service

Division or travel costs for a technician or Authorised Service Agent shall be for the account of the Purchaser. Where a built-in appliance is located or installed outside the Arisit Authorised Service Agent's normal service area, additional travel and labour costs shall be the account of the Purchaser.

11. Service is offered during normal business hours only, also appliances to have a clear access in a serviceable area

12. Arisit Pty Limited shall not under any circumstances be responsible in terms of this warranty for the replacement or repair of any part of the equipment which may have been damaged in transit, during and after installation or imperfections after installation.

13. Losses caused by act of God, failure to obtain spare parts, strikes or lockouts are not covered.

14. External off board motors must be installed a minimum of 2 metres and maximum of 7 metres away from the rangehood. This is for optimum sound and performance.

15. All motors must be accessible for servicing purposes and if installed above 2 metres from ground height additional cost will be incurred due to OH&S standards for service agents. Prior to install please check minimum & maximum installation details on the Smart website, FAQ under support tab. We reserve the right to amend any of the above without prior notice.

16. This warranty does not affect your statutory rights.

To register your product for warranty, visit

<https://www.smartbbqs.com.au/pages/product-registration>

SMART

OUTDOOR  LIVING

www.smartbbqs.com.au

ARISIT PTY LIMITED (Australia)

ABN 23 091 515 294
40-50 Mark Anthony Drive
Dandenong South VIC 3175
P: Sales & Service: 1300 762 219
F: Sales & Service: (03) 9768 0838
E: arisit@arisit.com

ARISIT PTY LIMITED (New Zealand)

P: (09) 306 1020
E: arisit.nz@arisit.com

Smart Rangehoods are only available from our select group of Smart Stockists nationwide. For the latest list of Smart Stockists near you, please refer to www.smartbbqs.com.au

All efforts have been made to ensure that the information provided in this brochure is correct at the time of printing. Due to continuous product improvement and ongoing development, Smart reserves the right to make changes to the products and technical data without prior notice.

Diagrams are indicative measures only. We strongly advise to wait until you receive any product prior to commencing cabinetry cutouts. Operating and installation instructions accompanying the product must be referred to at www.smartbbqs.com.au