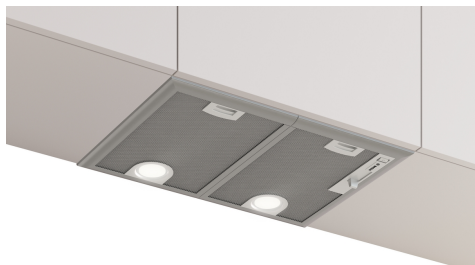


Series 4, integrated rangehood, 53 cm, Silver metallic DHL555BMAU



DHZ7305 Standard odor filter

- **Silence:** high extraction performance with low noise levels.
- **Intensive speed setting:** quickly removes steam and strong cooking odours for a fresher kitchen.
- **LED lighting:** energy-efficient LED lighting for bright, even cooktop illumination.
- **Metal grease filters:** capture grease and are easy to clean for fresher air.
- **Slide switch control:** easily adjust the extraction speed with a simple sliding motion.

Typology: Built-in/Built-under
 Length electrical supply cord: 130 cm
 Required niche size for installation (HxWxD): ... 215mm x 500.0mm x 350mm mm
 Minimum distance above an electric cooktop: 600 mm
 Minimum distance above a gas cooktop: 650 mm
 Net weight: 7.8 kg
 Type of control: mechanical
 Number of power settings: 3-stages + intensive setting
 Max. air extraction: 460 m³/h
 Boost position output recirculating: 346.0 m³/h
 Max. air recirculation: 302 m³/h
 Boost position air extraction: 604 m³/h
 Number of lights: 2
 Noise level: 63 dB(A) re 1pW
 Diameter of air outlet: 150 mm
 Grease filter material: Washable aluminium
 EAN code: 4242005538065
 Connection rating: 206 W
 Voltage: 220-240 V
 Frequency: 50 Hz
 Plug type: AU plug
 Installation type: Built-in



Series 4, integrated rangehood, 53 cm, Silver metallic DHL555BMAU

Design:

- For installation in a upper kitchen cabinet, above a cooktop
- Suitable for ducted or recirculated extraction

Features:

- 2 x LED lights 2.15W
- Colour Temperature: 3500 K
- Light Intensity: 438 lux
- 2 metal grease filter(s)

Comfort Features:

- Sliding switch control
- 3 power settings plus intensive setting

Cleaning Comfort:

- metal grease filter dishwasher-safe

Performance Exhaust:

- According to EN 61591 and EN/ IEC 60704-2-13 your appliance can achieve the following values in exhaust mode: Speed 1: extraction rate 224 m³/h; noise level 46 dB (A) re1pW Speed 2: extraction rate 365 m³/h; noise level 57 dB (A) re1pW Speed 3: extraction rate 460 m³/h; noise level 63 dB (A) re1pW Intensive 1: extraction rate 604 m³/h; noise level 68 dB (A) re1pW

Performance Recirculation:

- Accessory required for recirculation mode: Standard recirculation kit
- According to EN 61591 and EN/ IEC 60704-2-13 your appliance can achieve the following values in recirculation mode with standard recirculation kit (available as optional accessory):
- Speed 1: extraction rate 150 m³/h; noise level 56 dB(A) re1pW
- Speed 2: extraction rate 248 m³/h; noise level 67 dB(A) re1pW
- Speed 3: extraction rate 302 m³/h ; noise level 71 dB(A) re1pW
- Intensive Speed 1: extraction rate 346 m³/h; noise level 73 dB (A) re1pW

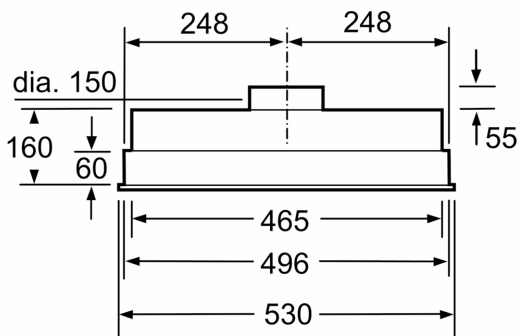
Technical Information:

- Consumption data:
- Power rating: 206 W
- Voltage: 220 - 240 V
- Made in Germany: produced at a CO₂ neutral production site

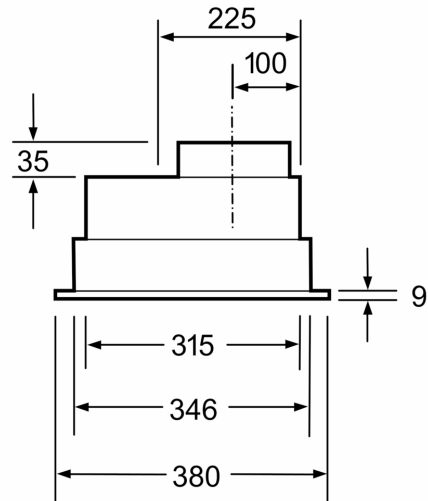
Planning and Installation Information:

- Appliance dimensions (HxWxD): 215 x 530 x 380 mm
- Installation dimensions (HxWxD): 215 x 500 x 350 mm
- Electrical cable length 1.3 m
- Diameter pipe Ø 150 mm

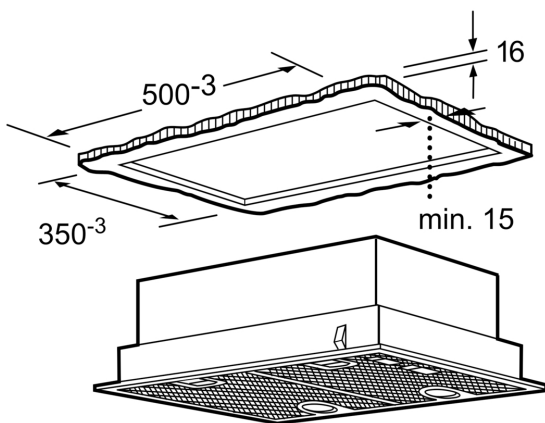
**Series 4, integrated rangehood, 53 cm, Silver metallic
DHL555BMAU**



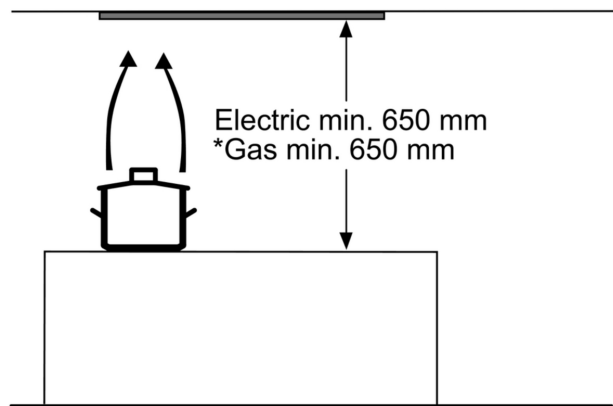
measurements in mm



measurements in mm



measurements in mm



* from upper edge of pan support

measurements in mm